



**Compact Powered Sound  
Reinforcement Speaker For:  
Live Sound, Speech, Playback,  
DJ, A/V, Institutional Venues**



## Important Features

- **Compact, Ergonomic Size**
- **Integral Monitor Stand**
- **Mic and Line Inputs with Mix Capability**
- **350 W Dynamic LF Power**
- **80 W Dynamic HF Power**
- **LF and HF Equalization**
- **Line Output for Additional Speakers**
- **65° x 65° Constant Coverage Horn**
- **High Sensitivity, 124 dB Maximum SPL**
- **Dynamic Filters Provide Overload Protection and Linear Response**
- **Molded-in Pole Mount, Easily Suspended**



## General Description

The SxA100 sets a new standard for powered speakers. Its design provides the user multiple inputs with mix capability, an easy to use EQ section, and plenty of power in very compact, attractive package.

This is a full range loudspeaker ideal for most applications requiring high-quality sound. Careful attention to the dynamic requirements of music guided the amplifier design to provide high SPL without excessive heat. The high quality microphone preamplifier provides great sounding vocals or speech. A master level control sets the desired SPL, and the line input can be mixed and balanced with a microphone with its level control. Its linear response is easily optimized for speech or music with the on board multiband equalization.

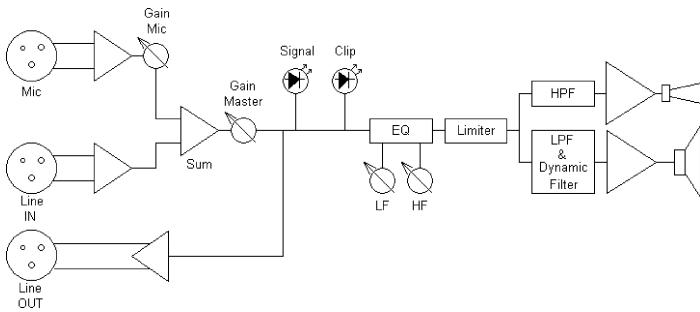
Built-in suspension points and pole mount make it easy to position for your application without expensive accessories.

The high-frequency section of the SxA100 utilizes a molded-in, 65° x 65° constant-directivity horn. This unique pattern contributes to high intelligibility, vocals sound natural yet “cut through” in reverberant, noisy rooms. Coverage pattern is uniform, sound quality off-axis is very well maintained, even at 45° off axis (a 90° total coverage angle). The SxA100’s high-frequency horn is driven by the DH2010A, a one-inch-throat, wide-bandwidth, titanium-diaphragm driver using a unique, convex-drive TimePath™ phasing plug structure (U.S. Patent #4,525,604) for smooth and extended high-frequency response.

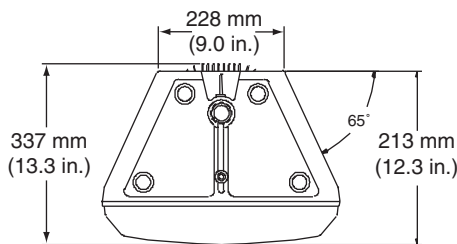
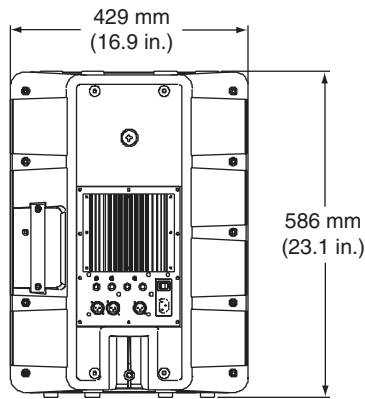
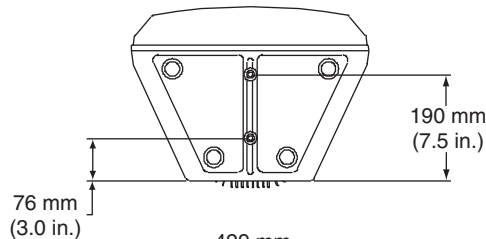
## Preliminary Specifications

Freq. Response (-10 dB):	50Hz-20kHz
Max SPL:	124 dB
Horizontal Coverage:	65°
Vertical Coverage:	65°
LF Amplifier Power:	350W 10ms burst, 150W Continuous
HF Amplifier Power:	80W 10ms burst, 50W Continuous
Max SPL:	124 dB
Mic Input Sensitivity:	-35 dBu to 0 dBu for full output
Line Input Sensitivity:	-12 dBu to 0 dBu for full output
LF Transducer:	12" (300mm)
HF Transducer:	1" (25mm) exit Compression Driver
Connectors:	
Balanced Mic, Line Inputs:	XLR, XLR and ¼" phone Combination
Balanced Output:	XLR
Equalization:	Shelving; LF ±6dB @ 140Hz HF ±4dB @ 5kHz
Power Requirement:	110-130 VAC, 50-60Hz, or 220-240 VAC, 50-60Hz 600 Watts
Enclosure Material:	Copolymer
Grille:	Powder Coated Steel with Foam
Dim (H x W x D):	23.1" x 16.9" x 12.3 ("586 x 429 x 312mm)
Net Weight (each):	43 lbs (19.5 kg)
Shipping Weight:	47 lbs (21.3 kg)

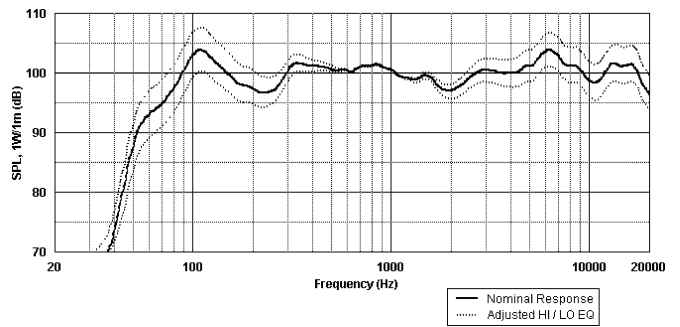
## Block Diagram



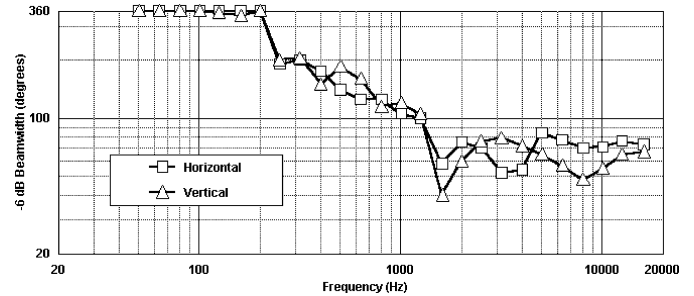
## Dimension Drawings



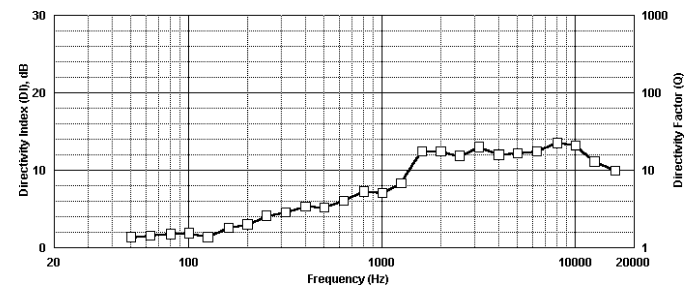
## Frequency Response



## Beamwidth



## Directivity



## Performance Match:

SxA180 Sub

## Included Accessories:

F200      Monitor foot (qty 2)

## Available Accessories:

100 BK      Tripod Stand  
 MB 100      Eyebolt Suspension Kit  
 MB 200      Bracket Suspension Kits  
 MB 300  
 SX ZB      Zippered, lined carrying bag

**USA** 12000 Portland Ave South, Burnsville, MN 55337, Phone: 952-884-4051, Fax: 952-884-0043  
**Canada** 705 Progress Avenue, Unit 46, Scarborough, Ontario, Canada, M1H2X1, Phone: 416-431-4975, 800-881-1685, Fax: 416-431-4588  
**Germany** Hirschberger Ring 45, D94315, Straubing, Germany, Phone: +49 9421-706 0, Fax: +49 9421-706 287  
**France** Parc de Courcerin, Allée Lech Walesa, Lognes, 77185 Marne la Vallée, France, Phone: +33 1 6480-0090, Fax: +33 1 6480-4538  
**Australia** Unit 23, Block C, Slough Business Park, Slough Avenue, Silverwater, N.S.W. 2128, Australia, Phone: +61 2-9648-3455, Fax: +61 2-9648-5585  
**Hong Kong** Unit E & F, 21/F, Luk Hop Industrial Bldg., 8 Luk Hop St., San PO Kong, Kowloon, Hong Kong, Phone: +852-2351-3628, Fax: +852-2351-3329  
**Japan** 5-3-8 Funabashi, Setagaya-ku, Tokyo, 156-0055 Japan, Phone: +81 3-5316-5020, Fax: +81 3-5316-5031  
**Singapore** 3015A Ubi Rd 1, 05-10, Kampong Ubi Industrial Estate, Singapore 408705, Phone: +65-746-8760, Fax: +65-746-1206  
**Mexico** Av. Parque Chapultepec #66-201, Col. El Parque Edo. De Mexico 53390, Mexico, Phone: +52 5358-5434, Fax: +52 5358-5588  
**UK** 4, The Willows Centre, Willow Lane, Mitcham, Surrey CR4 4NX, UK, Phone: +44 181 640 9600, Fax: +44 181 646 7084  
**Africa/Mid-East** Hirschberger Ring 45, D94315, Straubing, Germany, Phone: +49 9421-706 0, Fax: 49 9421-706 287  
**Latin America** 12000 Portland Ave South, Burnsville, MN 55337, Phone: 952-887-7491, Fax: 952-887-9212

[www.electrovoice.com](http://www.electrovoice.com)

© Telex Communications, Inc. 08/2001  
 Part Number 38110-027 RevA



**Electro-Voice®**

U.S.A. and Canada only.

For customer orders, contact the Customer Service department at  
 800/392-3497 Fax: 800/955-6831

For warranty repair or service information, contact the Service  
 Repair department at 800/685-2606

For technical assistance, contact Technical Support at 866/78AUDIO  
 Specifications subject to change without notice.