

Sx80SM

Stand Mount Adaptor Kit

- Makes possible the use of the Sx80 speaker system on a stand
- Two-piece design allows for removal of the socket for ease in transportation

Description

The Electro-Voice Sx80SM is a kit that makes the Sx80 ready to be used on a stand. The kit consists of four M5 x 20 mm phillips flat head screws and one two-piece slide mounting bracket with two thumb screws. The two-piece design of the bracket makes it possible to remove the socket portion of the assembly when needed, such as when the speaker is being transported.

Installation and Use Instructions

Refer to Figure 1 and Chart 1 for the following step.

Installing the Stand Mount Adaptor Plate

1. Remove the four hole plugs on the bottom of the Sx80 cabinet from the inserts that are needed for the stand mount adaptor.
2. Attach plate (C) to the Sx80 by using the four M5 screws (B). Please note that there is only one orientation for the bracket to the speaker, as shown in Figure 1.

Use

The removable socket of the Sx80SM allows for the Sx80 speaker to be transported without the socket portion sticking out of the cabinet. This also makes more efficient packing possible in a vehicle.

3. Slide the socket (D) into the plate (C). Be sure that the two pieces are fitted together properly, and secure the two pieces by tightening the thumb screw (A1) to keep the two pieces from separating.

Caution: Failure to tighten thumb screw A1 could result in either personal injury, damage to the Sx80 or other equipment by the loudspeaker sliding out of the stand socket and falling.

4. Tighten thumb screw (A2) to keep the Sx80 from rotating on the stand.

Service

In the event that spare parts for the Sx80SM are needed, the part numbers for the screws are listed in Chart 1.

Limited Warranty

Electro-Voice products are guaranteed against malfunction due to defects in materials or workmanship for a specified period, as noted in the individual product-line statement(s) below, or in the individual product data sheet or owner's manual, beginning with the date of original purchase. If such malfunction occurs during the specified period, the product will be repaired or replaced (at our option) without charge. The product

will be returned to the customer prepaid.

Exclusions and Limitations: The Limited Warranty does not apply to: (a) exterior finish or appearance; (b) certain specific items described in the individual product-line statement(s) below, or in the individual product data sheet or owner's manual; (c) malfunction resulting from use or operation of the product other than as specified in the product data sheet or owner's manual; (d) malfunction resulting from misuse or abuse of the product; or (e) malfunction occurring at any time after repairs have been made to the product by anyone other than Electro-Voice Service or any of its authorized service representatives. **Obtaining Warranty Service:** To obtain warranty service, a customer must deliver the product, prepaid, to Electro-Voice Service or any of its authorized service representatives together with proof of purchase of the product in the form of a bill of sale or receipted invoice. A list of authorized service representatives is available from Electro-Voice at 600 Cecil Street, Buchanan, MI 49107 (800/234-6831 or FAX 616/695-4743). **Incidental and Consequential Damages Excluded:** Product repair or replacement and return to the customer are the only remedies provided to the customer. Electro-Voice shall not be liable

Sx80SM Stand Mount Adaptor Kit

for any incidental or consequential damages including, without limitation, injury to persons or property or loss of use. Some states do not allow the exclusion or limitation of incidental or consequential damages so the above limitation or exclusion may not apply to you. **Other Rights:** This warranty gives you specific legal rights, and you may also

have other rights which vary from state to state.

Electro-Voice Accessories are guaranteed against malfunction due to defects in materials or workmanship for a period of one (1) year from the date of original purchase. Additional details are included in the Uniform Limited Warranty statement.

For warranty repair or service information, contact the service repair department at: 616/695-6831 or 800/685-2606.

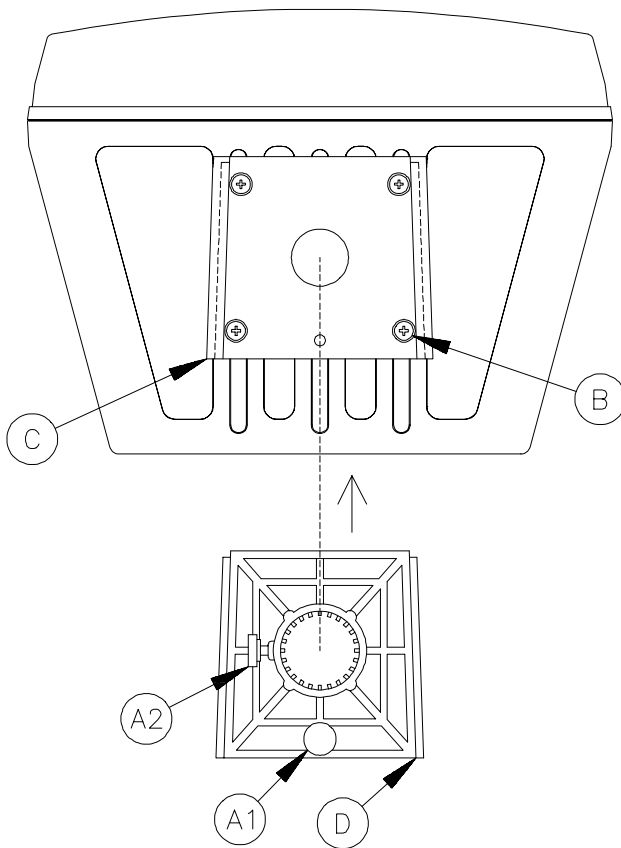
For technical assistance, contact Technical Support at 800/234-6831 or 616/695-6831, M-F, 8:00 a.m. to 5:00 p.m. Eastern Standard Time.

Specifications subject to change without notice.

Chart 1: Sx80SM Kit Parts List

Item	Part Number	Quantity	Description
A	63414	2	Thumb Screw
B	C 63415 CP	2	M5 20 mm phillips flat head screw
C	74111	1	Stand Mount Adaptor Plate
D	74112	1	Stand Mount Adaptor Socket

Figure 1—Attaching the Sx80SM to the Sx80 Speaker System



Specifications:

Material:

Black glass-filled polycarbonate

Parts Supplied (see Chart 1):

Net Weight:

.27 kg (0.6 lb)

Shipping Weight:

.36 kg (0.8 lb)

Electro-Voice®

600 Cecil Street, Buchanan, MI 49107

616/695-6831, 616/695-1304 Fax