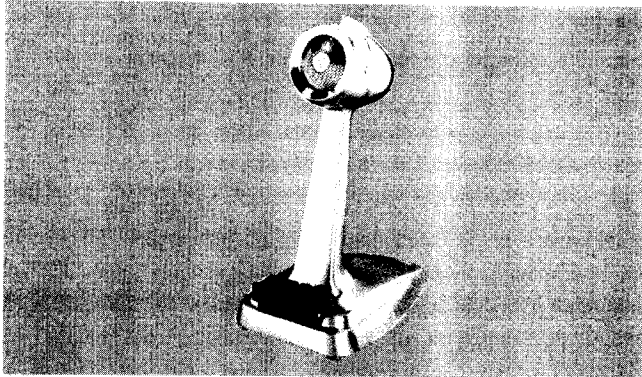


Telex® Technical Data

Model SB253 Two-Zone-Paging Desk Microphone



General Description

The Model SB253 Two-Zone-Paging Base Station Microphone is designed for paging applications where it is desirable to page into two areas, either separately or simultaneously. Typical applications include central paging for restaurants, bowling alleys, warehouses, and factories.

The Model SB253 should be used with an amplifier that has an input impedance of 50 to 250 ohms. Extended cable length may be used without deterioration of performance.

Design Features

NOTE

Care must be taken when installing the microphone to ensure that cable do not run parallel to ac power lines, as hum may be induced into the audio circuit.

Housing

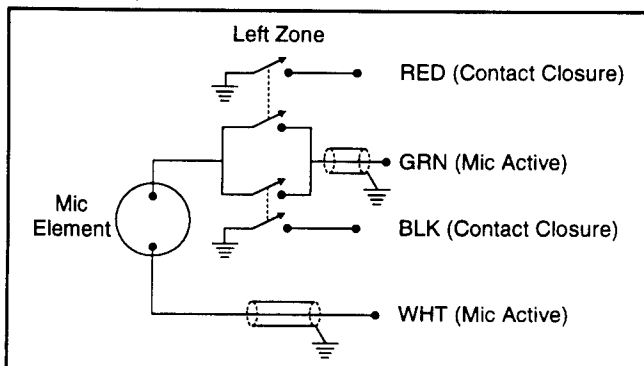
The housing is made of a die-cast zinc alloy with a satin-chrome finish. The base is equipped with rubber feet to prevent the unit from sliding or marring desk tops.

Microphone Element

The microphone uses a pressure-operated dynamic element that features a "Dynaflex" plastic diaphragm. The element is extremely rugged and withstands extremes of temperature and humidity while offering excellent sensitivity and wide-range response.

Switching

The split-bar switching utilizes two sets of dpst switches. Each switch may be operated independently of the other.



Wiring Diagram

Specifications

Type:

Dynamic

Frequency Response:

60 Hz to 10 kHz

Output Level at 1 kHz:

Open Circuit: -80 dB (re: 1V/ μ bar)

Power Level: -59 dB (re 1 mW/10 μ bars)

EIA Sensitivity: -152 dB

Impedance:

200 ohms

Polar Pattern:

Omnidirectional

Switch:

2 dpst with normally open contacts

Material:

Die-cast zinc alloy

Finish:

Satin-chrome

Cable:

20 ft (6.1 m) of 4-conductor, 2-shielded black PVC

Weight:

2 lbs (0.9 kg)

Dimensions:

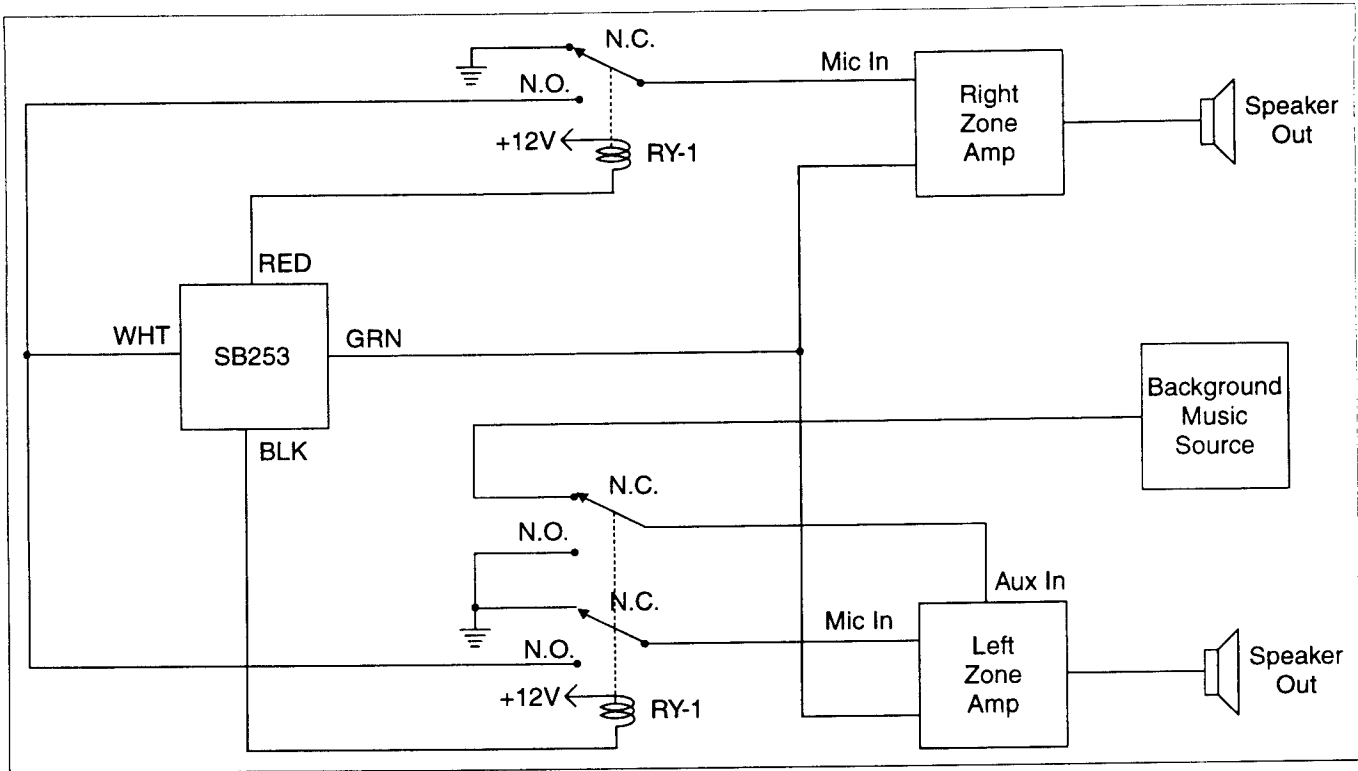
7.75" (197 mm) high by 5.5" (140 mm) deep by 4" (102 mm) wide

Ordering Information

Model SB253 Catalog No. 25413

© Telex Communications, Inc.: December, 1996

TELEX®



SB253 Typical Wiring

Notes:

1. RY-1 and RY-2 are 12 volt external relays. +12 volt supply may come from Amps or separate supply.
2. Relay ground = SB253 chassis ground = Amp ground.
3. Ry-2 is shown as dpdt relay to mute background music during page.

