

## RE200

### Cardioid, True Condenser Instrument Microphone

- Continuous presence rise enhances sound quality
- True condenser design
- Transformerless output
- Small, unobtrusive profile
- Includes stand clamp, windscreen and zippered vinyl pouch

---

#### Descriptions and Applications

---

The Electro-Voice RE200 is a cardioid, true condenser instrument microphone designed for the exacting acoustic reproduction of choirs, strings, percussion and brass instruments in live performance and sound recordings. The RE200 is designed to be used in professional remote recordings, sound reinforcement systems, sound studios and motion picture/TV scoring stages.

The RE200's frequency response (see Figure 1) has a continuous presence rise to enhance the sound quality. The excellent transient response and smooth frequency response is gently lifted above 1,000 Hz, lending an open, transparent detail to the recorded sound.

The RE200's transducer is a true, external biased condenser element based on the RE2000 transducer design. (Most studio recording microphones are true condensers because they have greater sensitivity and stability than an electret element). The diaphragm is ultrathin, gold-laminated, environmentally stabilized and ultralow in mass. The electrode is a precision-cut single piece, ceramic disc layered with gold. The transducer is biased by an internal dc-to-dc converter to ensure that its sensitivity and performance

is not dependent on phantom voltage. The RE200 transducer is cradled in an AcoustiDYM™ shock-mount system for mechanical isolation. The RE200's electronics are designed to operate from 12 Vdc to 52 Vdc phantom power.

The RE200 is small, light and rugged, making it ideal for a variety of applications without being obtrusive.

The RE200 is supplied with the model 311 microphone stand clamp, a zippered vinyl carrying pouch and a Wind Tech™ 5700-12 black external foam windscreen.<sup>1</sup>

---

#### Architects' and Engineers' Specifications

---

The microphone shall be an external biased, condenser type with a frequency response of 150 to 18,000 Hz. The microphone shall have a cardioid pattern with a rear response which is typically 15 dB below the front response at 1.0 kHz. The microphone shall be phantom powerable with a voltage of 12 V dc to 52 V dc. The microphone shall have an output power level of -39 dB, where 0 dB = 1 milliwatt per pascal, and output shall not be appreciably affected by the following tem-

perature and humidity extremes: -29 to 74 °C (-20 to 165°F) when relative humidity is 0 to 50%; -29 to 57°C (-2 to 135° F) when relative humidity is 0 to 95%. The microphone shall have a nominal, balance transformerless output impedance of 200 ohms. The microphone shall have a semigloss "camera" black finish.

Dimensions of the body shall be 27.9 mm (1.1 in.) wide at transducer, 20.3 mm (0.8 in.) wide at handle and 137.2 mm (5.4 in.) long. The microphone shall have a built-in connector similar or equivalent to the Switchcraft A3M.

The Electro-Voice RE200 is specified.

---

#### Limited Warranty

---

Electro-Voice products are guaranteed against malfunction due to defects in materials or workmanship for a specified period, as noted in the individual product-line statement(s) below, or in the individual product data sheet or owner's manual, beginning with the date of original purchase. If such malfunction occurs during the specified period, the product will be repaired or replaced (at our option) without charge. The product will be returned to the customer prepaid. **Exclusions and Limitations:** The Limited

1. Wind Tech™ is a trademark of Olsen audio Group, Inc. The 5700 windscreen can be purchased separately from Wind Tech™ at 602/998-7140 or (fax) 602/998-7192.

# RE200 Cardioid, True Condenser Instrument Microphone

RE200 Cardioid, True Condenser Instrument Microphone

Warranty does not apply to: (a) exterior finish or appearance; (b) certain specific items described in the individual product-line statement(s) below, or in the individual product data sheet or owner's manual; (c) malfunction resulting from use or operation of the product other than as specified in the product data sheet or owner's manual; (d) malfunction resulting from misuse or abuse of the product; or (e) malfunction occurring at any time after repairs have been made to the product by anyone other than Electro-Voice Service or any of its authorized service representatives. **Obtaining Warranty Service:** To obtain warranty service, a customer must deliver the product, prepaid, to Electro-Voice Service or any of its authorized service representatives together with proof of purchase of the product in the form of a bill of sale or receipted invoice. A list of authorized service representatives is available from Electro-Voice Service at 600 Cecil Street, Buchanan, MI 49107 (800/234-6831 or FAX 616/695-4743). **Incidental and Consequential Damages Excluded:** Product repair or replacement and return to the customer are the only remedies provided to the customer. Electro-Voice shall not be liable for any incidental or consequential damages including, without limitation, injury to persons or property or loss of use. Some states do not allow the exclusion or limitation of incidental or consequential damages so the above limitation or exclusion may not apply to you. **Other Rights:** This warranty gives you specific legal rights, and you may also have other rights which vary from state to state. **Electro-Voice Wired Microphones** are guaranteed against malfunction from any cause for two (2) years from the date of original purchase. In addition, the Limited Warranty for the acoustic system contained in these microphones shall apply for the life of the product, defined as a period of ten (10) years from the date that the manufacture of the specific microphone has been discontinued. Any and all active electronics incorporated in these microphones are guaranteed against malfunction due to defects in materials or workmanship for a period of three (3) years from the date of original purchase. The Limited Warranty does not extend to

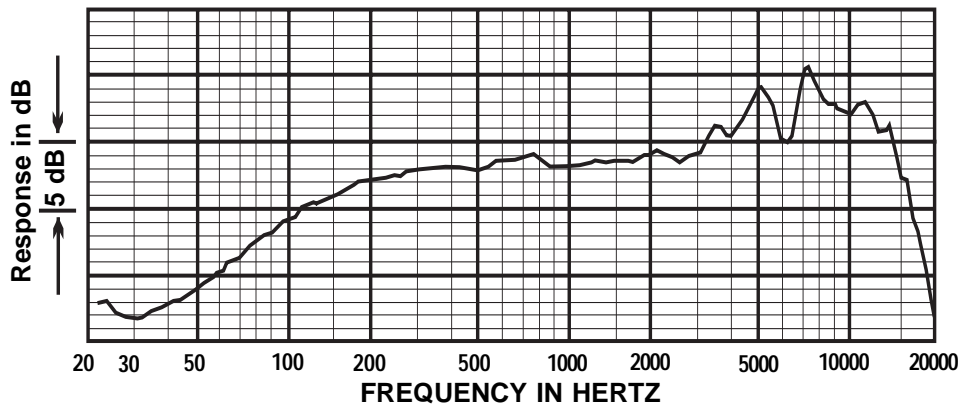
cables, cable connectors, or switches. Additional details are included in the Uniform Limited Warranty statement.

**For warranty repair** or service information, contact the service repair department at: 616/695-6831 or 800/685-2606.

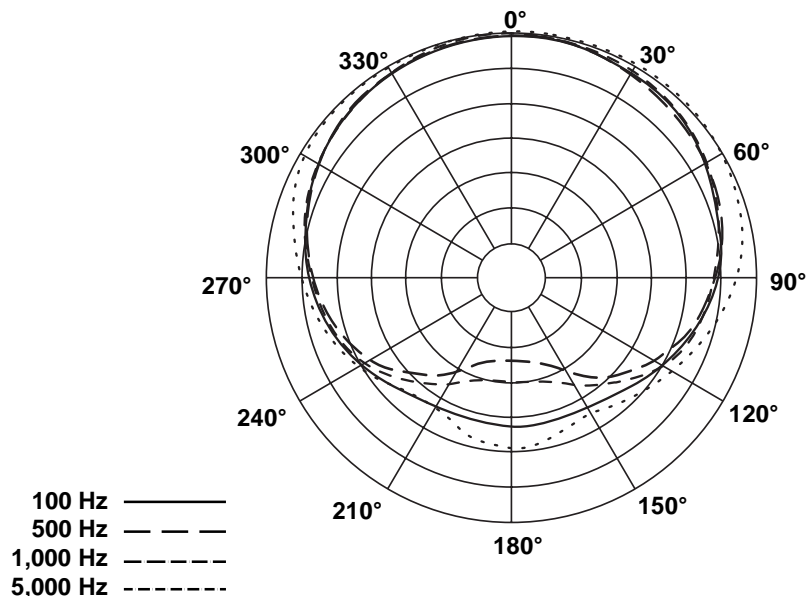
**For technical assistance,** contact Technical Support at 800/234-6831 or 616/695-6831, M-F, 8:00 a.m. to 5:00 p.m. Eastern Standard Time.

Specifications subject to change without notice.

**Figure 1—Frequency Response**

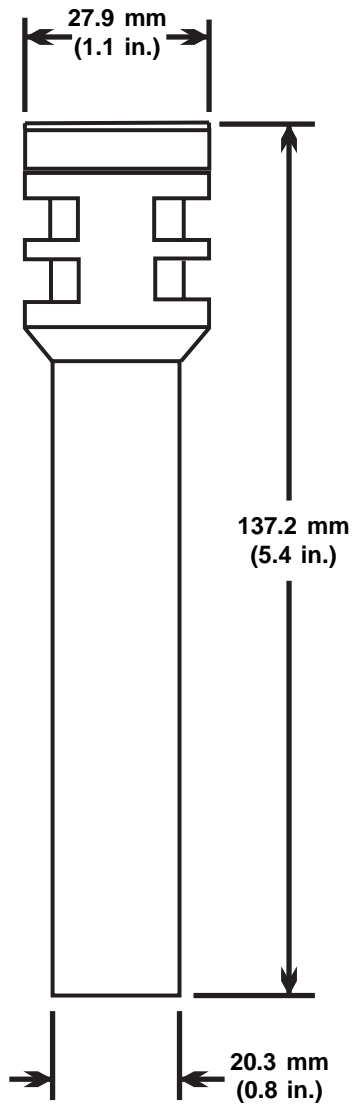


**Figure 2—RE200 Polar Response**



# RE200 Cardioid, True Condenser Instrument Microphone

Figure 3—RE200 Dimensions



## Specifications

### Generating Element:

True condenser (externally biased)

### Frequency Response (see Figure 1):

50-18,000 Hz

### Polar Pattern (see Figure 2):

Cardioid

### Sensitivity, Open circuit Voltage, 1 kHz:

10 mV/pascal

### Power Level, 1 kHz

(0 dB = 1mW/pascal):

-39 dB

### Clipping Level (1% THD):

130 dB SPL

### Finish:

Low-gloss black

### Accessories Included:

Stand Adaptor

Windscreen

Vinyl carrying pouch

# RE200 Cardioid, True Condenser Instrument Microphone

RE200 Cardioid, True Condenser Instrument Microphone

---

**Electro-Voice®**

600 Cecil Street, Buchanan, MI 49107

616/695-6831, 616/695-1304 Fax

©EVI Audio 1999 • Litho in U.S.A.

MICROPHONES—Cardioid Condenser

Part Number 533868 —9935