

RE1000 Supercardioid Condenser Microphone

- Very low self-noise (€14 dB SPL, A weighted)
- True condenser design
- Includes stand mount and hard shell case
- Transformerless output
- Phantom powered

Description and Applications

The Electro-Voice RE1000 is a true condenser studio microphone. It provides flat frequency response, low self-noise and an externally biased transducer. The RE1000 utilizes a transformerless output.

The RE1000 is designed to have the industry-leading “rugged and reliable” Electro-Voice durability, while providing excellent performance.

The RE1000 has an internal, two-stage pop filter to reduce explosive breath blasts and wind noise. An extremely effective shock-mount system, for use when excessive mechanical noise is encountered, is available as model 325.

The RE1000 is designed for high-quality recording and sound reinforcement. Wide use of phantom power makes the microphone very flexible. The combination of very low self-noise, excellent transient response and smooth frequency response makes the RE1000 an ideal choice for use in the most demanding of situations.

A hard-shell case is included for storage and transport.

A switch on the rear of the unit introduces a 12-dB-per-octave low-frequency roll-off at 130 Hz.

The transducer is a short-D, high-efficiency unit, with the high output level of a large diaphragm and the tighter polar pattern and better transient response of a smaller diaphragm. The diaphragm itself is an ultrathin, gold-laminate, environmentally stabilized, low-mass design. The rear electrode is a gold-laminated, ceramic design, precisely spaced from the diaphragm.

The output electronics provide no voltage gain to ensure the lowest self-noise. The RE1000's high sensitivity is achieved through optimal transducer design.

Architects' and Engineers' Specifications

The microphone shall be a supercardioid true condenser with a frequency response of 70-18,000 Hz. It shall have an output of not less than 11 mV/pascal at 1 kHz, with self-noise

no greater than 14 dBA. The output shall be a balanced, transformerless output. Output termination shall be a professional three-pin XLR-type connector to facilitate connection to the user's equipment. It will be housed in a protective case. The microphone shall be the RE1000.

Limited Warranty

Electro-Voice products are guaranteed against malfunction due to defects in materials or workmanship for a specified period, as noted in the individual product-line statement(s) below, or in the individual product data sheet or owner's manual, beginning with the date of original purchase. If such malfunction occurs during the specified period, the product will be repaired or replaced (at our option) without charge. The product will be returned to the customer prepaid. **Exclusions and Limitations:** The Limited Warranty does not apply to: (a) exterior finish or appearance; (b) certain specific items described in the individual product-line statement(s) below, or in the individual prod-

On initial powering of the mic, there is a stabilization period of 15 to 20 seconds, during which the output of the microphone will be muted.

1. Wind Tech™ is an Olsen Audio Group, Inc., company. The 20/421 windscreen can be purchased separately from Wind Tech™ at 602/998-7140 or (fax) 602/998-7192.

RE1000 Supercardioid Condenser Microphone

uct data sheet or owner's manual; (c) malfunction resulting from use or operation of the product other than as specified in the product data sheet or owner's manual; (d) malfunction resulting from misuse or abuse of the product; or (e) malfunction occurring at any time after repairs have been made to the product by anyone other than Electro-Voice Service or any of its authorized service representatives. **Obtaining Warranty Service:** To obtain warranty service, a customer must deliver the product, prepaid, to Electro-Voice Service or any of its authorized service representatives together with proof of purchase of the product in the form of a bill of sale or receipted invoice. A list of authorized service representatives is available from Electro-Voice Service at 600 Cecil Street, Buchanan, MI 49107 (800/234-6831 or FAX 616/695-4743). **Incidental and Consequential Damages Excluded:** Product repair or replacement and return to the customer are the only remedies provided to the customer. Electro-Voice shall not be liable for any incidental or consequential damages including, without limitation, injury to persons or property or loss of use. Some states do not allow the exclusion or limitation of incidental or consequential damages so the above limitation or exclusion may not apply to you. **Other Rights:** This warranty gives you specific legal rights, and you may also have other rights which vary from state to state.

Electro-Voice Wired Microphones are guaranteed against malfunction from any cause for two (2) years from the date of original purchase. In addition, the Limited Warranty for the acoustic system contained in these microphones shall apply for the life of the product, defined as a period of ten (10) years from the date that the manufacture of the specific microphone has been discontinued. Any and all active electronics incorporated in these microphones are guaranteed against malfunction due to defects in materials or workmanship for a period of three (3) years from the date of original purchase. The Limited Warranty does not extend to cables, cable connectors, or switches. Additional details are included in the Uniform Limited Warranty statement.

For warranty repair or service information, contact the service repair department at: 616/695-6831 or 800/685-2606.

For technical assistance, contact Technical Support at 800/234-6831 or 616/695-6831, M-F, 8:00 a.m. to 5:00 p.m. Eastern Standard Time.

Specifications subject to change without notice.

Figure 1—Frequency Response

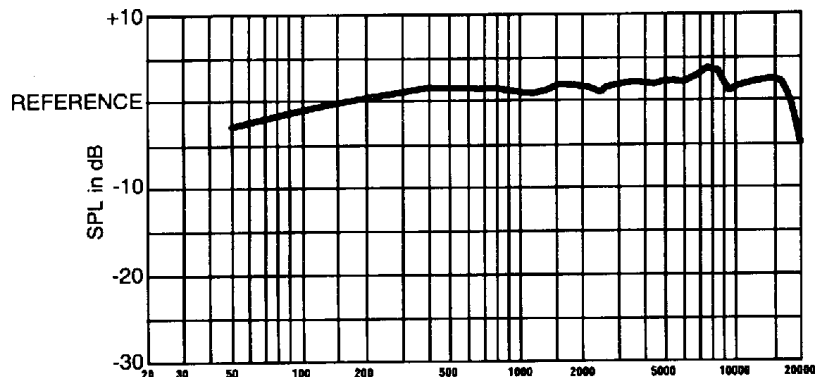


Figure 2—Polar Response

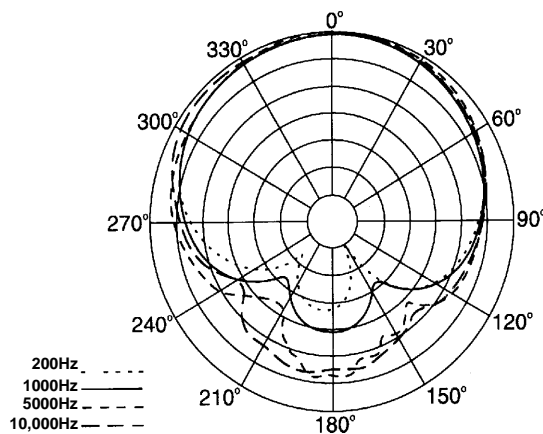
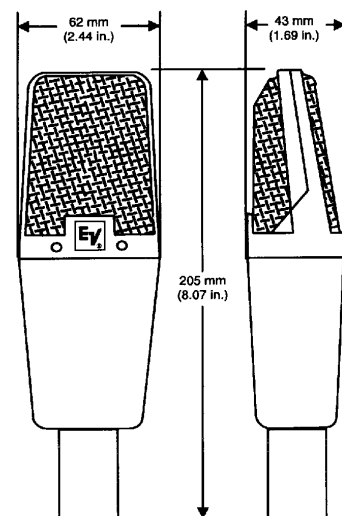


Figure 3—Dimensions



RE1000 Supercardioid Condenser Microphone

Specifications

Generating Element:

True condenser (externally biased)

Frequency Response (see Figure 1):

70 -18,000 Hz

Polar Pattern (see Figure 2):

Supercardioid

Sensitivity,

Open Circuit Voltage, 1 kHz:

11 mV/pascal

Power Level, 1 kHz

(0 dB = 1 mW/pascal):

-39 dB

Equivalent Noise:

£14 dB SPL, A weighted

(0 dB = 20 micropascals)

Impedance:

250 ohms, balanced

Maximum SPL (1% distortion, 1 kHz):

130 dB

Power Requirements:

12-48 V phantom

Switchable Low-Frequency Roll-Off,

Corner Frequency:

130 Hz

Slope:

12 dB per octave

Polarity (see Figure 2):

Pin 2 positive, referenced to pin 3, with positive pressure on the diaphragm

Output Device:

Transformerless

Finish:

Low-gloss black texture

Accessories Included:

Hard-shell case

Stand adapter

Optional Accessories:

Wind Tech™ model 20/421

external windscreen¹

Shock-mount system model 325

Dimensions (microphone alone, see Figure 3),

Height:

205 mm (8.07 in.)

Maximum Width:

62 mm (2.44 in.)

Maximum Depth:

43 mm (1.69 in.)

Net Weight, Microphone:

0.40 kg (14.11 oz)

Shipping Weight:

1.2 kg (42.3 oz)

RE1000 Supercardioid Condenser Microphone

RE1000 Supercardioid Condenser Microphone

Electro-Voice®

600 Cecil Street, Buchanan, MI 49107

616/695-6831, 616/695-1304 Fax

©EVI Audio 1999 • Litho in U.S.A.

MICROPHONES—Supercardioid Condenser

Part Number 532623 — 9933