

QRx-212/75

Full-Range Loud Speaker System



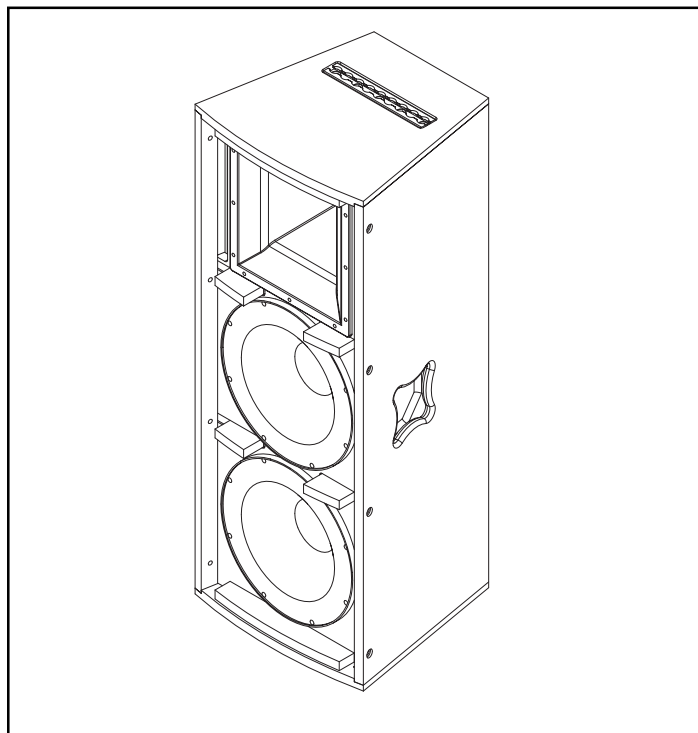
General Product Description

The QRx-212/75 is two-way, full-range loudspeaker system incorporating two 12-inch woofers and a 3-inch voice coil compression driver on an symmetrical 75-degree x 50-degree fully rotatable constant-directivity horn. In factory delivered position, the provides a 15-degree up/35-degree down vertical coverage pattern. The trapezoidal cabinet design allows this main PA system cabinet to easily conform to multi-cabinet arrangements or limited space clearances without sacrificing internal volume. The fully rotatable horn means regardless of cabinet position, pattern control is user-determined. The QRx-212/75 is a good solution for medium size rooms and audiences as a main PA providing moderate levels with good bass response and added punch in the lower and mid frequencies, satisfying most DJ and live band applications. The asymmetrical horn can allow a single box to more adequately direct the high frequencies as needed, as well as streamline multi-cabinet arrays when rotated by extending horizontal coverage while minimizing overlapping and allowing tighter packs between the cabinets.

Architects' and Engineers' Specifications

The two-way, full-range loudspeaker system shall incorporate two 12-inch transducers with cast aluminum baskets as the LF components and once 3-inch diameter voice coil/diaphragm compression driver as the HF component. The compression driver shall be mounted on a 75-degree x 50-degree asymmetrical constant directivity horn with a factory delivered position of 15 degrees up/35 degrees down/50 degrees horizontal configuration. The horn shall be constructed of a material and design so as to be capable, structurally, of supporting the HF driver without any internal braces or suspensions, allowing a full 360-degree rotation of the horn. The enclosure shall be included, providing crossover filters for component band passes and nominal system voicing. The input panel shall incorporate two switches, allowing external configuration between biamped or passive operation. Input connections shall be accommodated with two paralleled NL4 female Speakon® connectors.

Loudspeaker system frequency response shall be no less than 52 Hz to 16 kHz (-3 dB) measured on axis. The loudspeaker shall produce a sound pressure level (SPL) of 101 dB on axis at 1 meter with a power input of 1 watt and shall be capable of sustaining a full power, long-term average output of 129 dB on axis at 1 meter (135 dB peaks). The full-range system, with passive network engaged,



shall handle 600 watts of amplified power long-term in compliance with AEA-EIA standards and have a nominal impedance of 4 ohms.

The loudspeaker enclosure shall be constructed of 13-ply void-free cross-grain-laminated Birch plywood. It shall be finished in black or white acrylic paint or available unfinished. It shall be of a trapezoidal shape. Handles shall be recessed within the sides of the enclosure and of such design to all safe handling from any direction. The top and bottom of the enclosure shall have L-track rigging installed and the rear shall have a pull-up point. Three single studded ancr fittings rated for overhead use shall be included with each loudspeaker system. Fittings shall include a tethered safety pin to ensure proper installation.

The two-way full-range loudspeaker system shall be the Electro-Voice model QRx-212/75.

Speaker Description

Part Number 301115-001
LF Section & Components (2) 12-inch woofers in vented enclosure
HF Section & Components DH7 compression driver with 3-inch titanium diaphragm on asymmetric 75 x 50 horn
System Configuration Two-way, Full-range
Powering Configuration Switchable passive or biamp
Recommended Active High-pass Frequency
 (12 dB/octave min.) 45 Hz
Recommended Active Crossover Frequency
 (24 dB/octave min.) 1500 Hz
Passive Crossover Frequency 1800 Hz

Cabinet Type (shape) Trapezoid
Enclosure Materials 13-ply birch plywood
Finish Black acrylic textured paint
Connectors Two Neutrik® NL4
Suspension Hardware
L-track top and bottom; single-stud plate on back for pull-up
Grille Powder-coated perforated 16-GA steel
Options: WHI-white textured paint
 UN-unfinished
Accessories SST-1 single stud rigging fitting

Specifications

Frequency Response

-3 dB 75 Hz
 -10 dB 52 Hz

Axial Sensitivity

SPL, 1 watt @ 1 m, Passive 102 dB
 SPL, 1 watt @ 1 m, Biamp (LF/HF) 101/112 dB

Impedance

Passive 4 ohms
 Biamp 4/8 ohms

Power Handling

Passive — Long-term EIA 600 watts
 Short-term peak 2400 watts
 Biamp — LF Long-term EIA 600 watts
 Short-term peak 2400 watts
 Biamp — HF Long-term AES 75 watts
 Short-term peak 300 watts

Calculated Maximum Output SPL

Long-term 129 dB
 Peak 135 dB

Nominal Coverage Angle

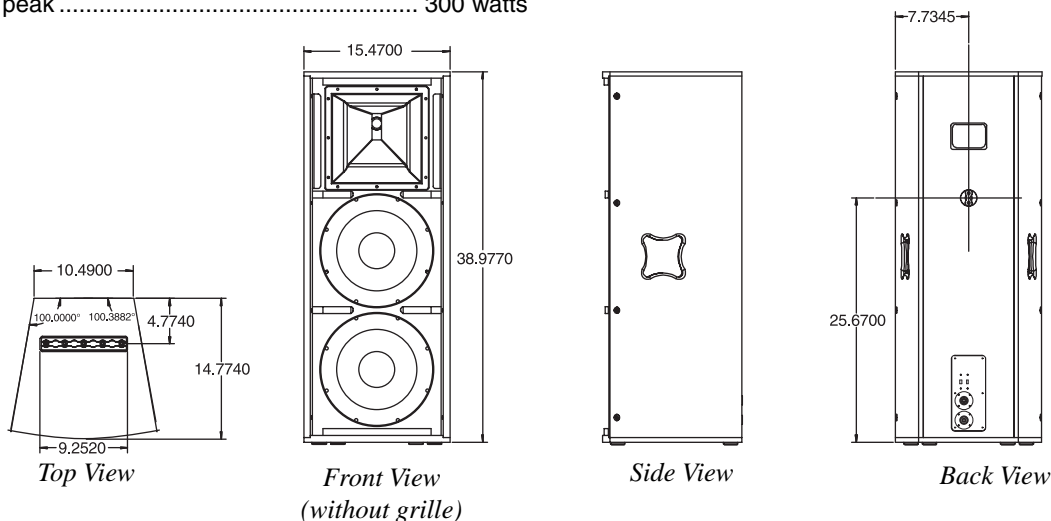
Horizontal (-6 dB) 75°
 Vertical (-6 dB) +15°/-35°

Dimensions

Height 38.98 in. (990.1 mm)
 Width at front 15.47 in. (392.9 mm)
 Width at back 10.79 in. (274.1 mm)
 Depth 14.77 in. (375.2 mm)

Weights

Net weight 80 lb (36 kg.)
 Shipping Weight 88 lb (40 kg.)



USA 12000 Portland Ave South, Burnsville, MN 55337, Phone: 952-884-4051, Fax: 952-884-0043
Canada 705 Progress Avenue, Unit 46, Scarborough, Ontario, Canada, M1H2X1, Phone: 416-431-4975, 800-881-1685, Fax: 416-431-4588
Germany Hirschberger Ring 45, D94315, Straubing, Germany, Phone: +49 9421-706 0, Fax: +49 9421-706 287
France Parc de Courcerin, Allée Lech Walesa, Lognes, 77185 Marne la Vallée, France, Phone: +33 1 6480-0090, Fax: +33 1 6480-4538
Australia Unit 23, Block C, Slough Business Park, Slough Avenue, Silverwater, N.S.W. 2128, Australia, Phone: +61 2-9648-3455, Fax: +61 2-9648-5585
Hong Kong Unit E & F, 21/F, Luk Hop Industrial Bldg., 8 Luk Hop St., San PO Kong, Kowloon, Hong Kong, Phone: +852-2351-3628, Fax: +852-2351-3329
Japan 5-3-8 Funabashi, Setagaya-ku, Tokyo, 156-0055 Japan, Phone: +81 3-5316-5020, Fax: +81 3-5316-5031
Singapore 3015A Ubi Rd 1, 05-10, Kampong Ubi Industrial Estate, Singapore 408705, Phone: +65-746-8760, Fax: +65-746-1206
Mexico Av. Parque Chapultepec #66-201, Col. El Parque Edo. De Mexico 53390, Mexico, Phone: +52 5358-5434, Fax: +52 5358-5588
UK 4, The Willows Centre, Willow Lane, Mitcham, Surrey CR4 4NX, UK, Phone: +44 181 640 9600, Fax: +44 181 646 7084
Africa/Mid-East Hirschberger Ring 45, D94315, Straubing, Germany, Phone: +49 9421-706 0, Fax: 49 9421-706 287
Latin America 12000 Portland Ave South, Burnsville, MN 55337, Phone: 952-887-7491, Fax: 952-887-9212



Electro-Voice®

U.S.A. and Canada only.

For customer orders, contact the Customer Service department at
 800/392-3497 Fax: 800/955-6831

For warranty repair or service information, contact the Service
 Repair department at 800/685-2606

For technical assistance, contact Technical Support at 866/78AUDIO

Please refer to the Engineering Data Sheet for warranty information.

Specifications subject to change without notice.

www.electrovoice.com • Telex Communications, Inc. • www.telex.com

© Telex Communications, Inc. 07/2001

Part Number 38110-009 Rev A