

General Product Description

QRx-112/75

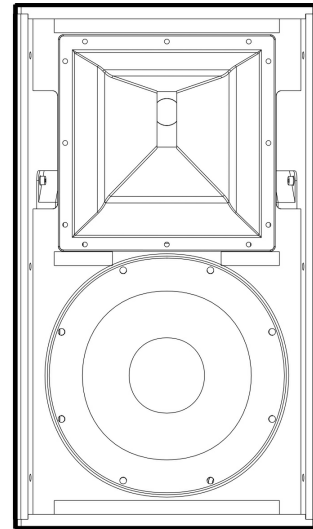
The QRx-112/75 is a two-way, full-range loudspeaker system that incorporates a 12-inch woofer and a 3-inch voice coil compression driver on an asymmetrical 75-degree x 50-degree fully rotatable constant-directivity horn. In factory-delivered position, the horn provides a 15-degree up/35-degree down vertical coverage pattern. The five-sided cabinet design allows this main PA system cabinet to easily conform to duties as a floor monitor or to be ticked tightly against a ceiling for low-profile applications. The fully rotatable horn means that regardless of cabinet position, pattern control is fully user-determined.

The QRx-112/75 is a good solution for small-to-medium size rooms as a main PA, providing optimized midrange reproduction for speech intelligibility and vocal clarity at moderate levels. As a floor monitor, the tight and clear midrange coupled to a large format HF diaphragm helps cut through stage rumble while delivering smooth reproduction. The asymmetrical horn can allow a single box to more adequately direct the high frequencies as needed, as well as streamline multi-cabinet arrays by extending horizontal coverage while minimizing overlapping and allowing tighter packs between the cabinets.

QRx-112/75 Loudspeaker System



Q R x
S P E A K E R
S Y S T E M S



Speaker Description

Part Number	301018-001
LF Section & Components	12-inch woofer in vented enclosure
HF Section & Components	DH7 HF compression driver with 3-inch titanium diaphragm on an asymmetric 75 x 50 horn
System Configuration	Two-way, full-range
Powering Configuration	Switchable passive or biamp
Recommended High-Pass Frequency (12 dB/octave min.)	45 Hz
Cabinet Type (shape)	Modified trapezoid
Enclosure Materials	13-ply birch plywood
Finish	Black acrylic textured paint
Connectors	Two Neutrik NL4
Suspension Hardware	L-track top and bottom, single stud plate on back for pull-up
Grille	Powder-coated perforated 16-GA steel
Options	WHI-white textured paint UN-unfinished
Accessories	SST-1 single stud rigging fitting (3 included)

E V E R Y W H E R ESM

QRx-112/75

Speaker System

Speaker Characteristics

Frequency Response

-3dB	75 Hz-15 kHz
-10dB	52 Hz-18 kHz

Axial Sensitivity

SPL, 1 watt @ 1 m, Passive	98 dB
SPL, 1 watt @ 1 m, Biamp (LF/HF)	100/112 dB

Impedance

Passive	8 ohms
Biamp (LF/HF)	8/8 ohms

Power Handling

Passive Long-term EIA	300 watts
Short-term peak	1200 watts
Biamp - LF Long-term EIA	300 watts
Short-term peak	1200 watts
Biamp - HF Long-term AES	75 watts
Short-term peak	300 watts

Calculated Maximum Output SPL

Long-term	125 dB
Peak	131 dB

Nominal Coverage Angle

Horizontal (-6 dB)	75°
Vertical (-6 dB)	+15/-35°

Dimensions

Height	26.60 in. (675.5 mm)
Width at front	15.35 in. (389.9 mm)
Width at back	6.86 in. (174.2 mm)
Depth	16.02 in. (371.5 mm)
Trapezoid angle	10° per side

Weights

Net Weight	58 lb (26 kg)
Shipping Weight	64 lb (29 kg)

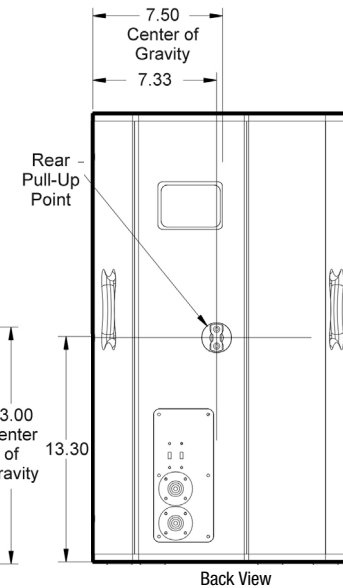
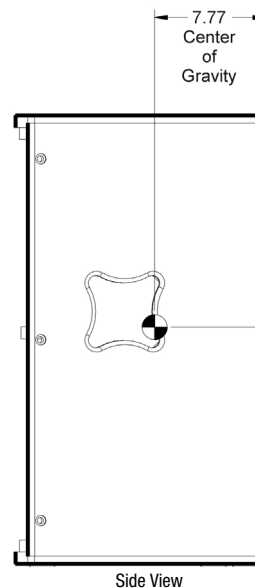
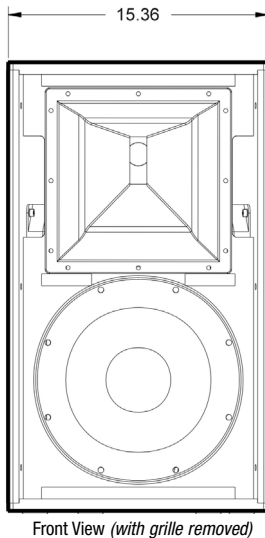
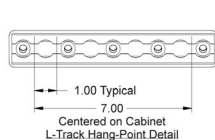
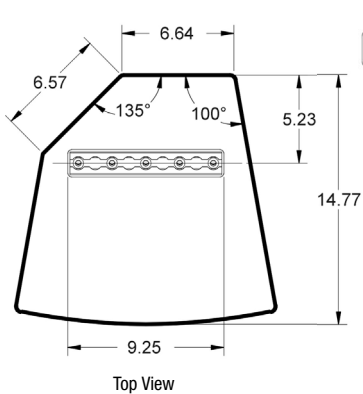
Architects' and Engineers' Specifications

QRx-112/75

The two-way, full-range loudspeaker system shall incorporate one 12-inch transducer with a cast aluminum basket as the LF component and one 3-inch diameter voice coil/diaphragm compression driver as the HF component. The compression driver shall be mounted on a 75-degree x 50-degree asymmetrical constant directivity horn with a factory delivered positioning of 15-degrees up/35-degrees down/50-degrees horizontal configuration. The horn shall be constructed of a material and design so as to be structurally capable of supporting the HF driver without any internal braces or suspension, allowing full 360-degree rotation of the horn. The enclosure shall be vented and tuned for optimum low-frequency extension. An internal passive filter network shall be included providing crossover filters or component band passes and nominal system voicing. The input panel shall incorporate two switches allowing external configuration between biamped or passive operation. Input connections shall be accommodated with two paralleled NL4 female Speakon® connectors.

Loudspeaker system frequency response shall be no less than 75 Hz to 15 kHz (-3 dB) measured on axis. The loudspeaker shall produce a sound pressure level (SPL) of 98 dB on axis at 1 meter with a power input of 1 watt and shall be capable of sustaining full power, long-term average output of 125 dB on axis at 1 meter. The full-range system with passive network engaged shall handle 300 watts of amplified power long term in compliance with AES-EIA standards and have a nominal impedance of 8 ohms.

The loudspeaker enclosure shall be constructed of 13-ply void-free cross-grain-laminated birch plywood. It shall be finished in black or white acrylic paint or available unfinished. It shall have five sides with the fifth side angle as such to provide stable and safe placement of the cabinet on its side for floor monitor applications. Handles shall be recessed within the sides of the enclosure and of such design to allow safe handling from any direction. There shall be a 1-3/8 diameter pole mounting socket located on the bottom of the cabinet. The top and bottom of the enclosure shall have L-track rigging installed and the rear shall have a pull-up point. Three single studded ancr fittings rated for overhead use shall be included with each loudspeaker system. Fittings shall include a tethered safety pin to ensure proper installation. The two-way full-range loudspeaker system shall be the Electro-Voice® model QRx-112/75.



EVERYWHERE™

- USA** 12000 Portland Ave South, Burnsville, MN 55337, Phone: 952-884-4051, FAX: 952-884-0043
- Canada** 705 Progress Avenue, Unit 46, Scarborough, Ontario, Canada, M1H2X1, Phone: 416-431-4975, 800-881-1685, FAX: 416-431-4588
- Germany** Hirschberger Ring 45, D94315, Straubing, Germany, Phone: 49 9421-706 0, Fax: 49 9421-706 287
- France** Parc de Courcerin, Allee Lech Walesa, Lognes, 77185 Marne La Vallee, France, Phone: 33/1-6480-0090, FAX: 33/1-6480-4538
- Australia** Unit 23, Block C, Slough Business Park, Slough Avenue, Silverwater, N.S.W. 2128, Australia, Phone: 61/2-9648-3455, FAX: 61/2-9648-5585
- Hong Kong** Unit E & F, 21/F, Luk Hop Industrial Bldg., 8 Luk Hop St., San PO Kong, Kowloon, Hong Kong, Phone: 852-2351-3628, FAX: 852-2351-3329
- Japan** 5-3-8 Funabashi, Setagaya-ku, Tokyo, Japan 156-0055, Phone: 81-3-5316-5020, FAX: 81-3-5316-5031
- Singapore** 3015A Ubi Rd 1, 05-10, Kampong Ubi Industrial Estate, Singapore 408705, Phone: 65-746-8760, FAX: 65-746-1206
- Mexico** Av. Parque Chapultepec #66-201, Col. El. Parque Edo. Mex. 53390, Phone: (52) 5358-5434, FAX: (52) 5358-5588
- UK** 4, The Willows Centre, Willow Lane, Mitcham, Surrey CR4 4NX, UK, Phone: 44 181 640 9600, FAX: 44 181 646 7084
- Africa, Mid-East** 12000 Portland Ave South, Burnsville, MN 55337, Phone: 952-887-7424, FAX: 952-887-9212
- Latin America** 12000 Portland Ave South, Burnsville, MN 55337, Phone: 952-887-7491, FAX: 952-887-9212

www.electrovoice.com • Telex Communications, Inc. • www.telex.com

©Telex Communications, Inc. 2/2001 Part Number 38109-985 Rev A

U.S.A. and Canada only.
For customer orders, contact the Customer Service department at 800/392-3497 Fax: 800/955-6831
For warranty repair or service information, contact the Service Repair department at 800/685-2606
For technical assistance, contact Technical Support at (866)-78AUDIO
 Please refer to the Engineering Data Sheet for warranty information.
 Specifications subject to change without notice.