

N/D767a Vocal Microphone



N / D Y M °
W I R E D
M I C R O P H O N E S

General Product Description

The new N/D767a presents optimal performance in a live sound environment. The 767a vocal microphone utilizes EV's new VOB™ (vocally optimized bass) technology to provide the performer with reduced low-end distortion and eliminates the muddiness found in other microphones. Combined with EV's industry first neodymium based magnet structure, the new N/D767a offers the power and clarity to "cut through the mix."

- VOB™ technology provides tailored bass response for controlled "proximity effect" and exceptional vocal clarity
- Supercardioid pattern for superior feedback rejection and acoustic isolation.
- Multistage shock mount for unmatched low-handling noise.
- Neodymium based magnet structure provides greater sensitivity and signal-to-noise ratio.
- Warm Grip™ handle for more comfortable feel.

Operation

The low frequency response of the N/D767a microphone varies with the distance from the sound source. Known as "proximity effect," maximum bass response is produced in "close-up" use with the microphone 1/4 inch from the sound source. Normal bass response is experienced with working distances greater than 24 inches. Working close to the microphone will produce a more robust sound. Close up positioning of the microphone will also reduce the potential for feedback from the sound reinforcement system. When close-talked, the bass-boost provides an increase in overall microphone output level. The mixer gain may be proportionately reduced, resulting in a reduction of the system's sensitivity to feedback caused by sound entering the microphone from the loudspeakers.

Microphone Use and Placement

Please note that micing techniques are a matter of personal preference. These are merely guidelines to assist in the placement of the microphone to gain optimal performance.

Usage	Optimal Placement
Vocals	Zero to six inches from the windscreen, and on axis with the microphone.
Spoken Word	Five to ten inches from the windscreen, and on axis with microphone.



E V E R Y W H E R E SM

N/D767a

Vocal Microphone

Specifications

Element	Dynamic N/DYM® magnet structure
Frequency Response	
Close Response	35 Hz to 22 kHz
Far Response	70 Hz to 22 kHz
Polar Pattern	Supercardioid
Impedance	Low-Z balanced (300 Ohms)
Sensitivity	
Open Circuit Voltage	3.1 mV/Pascal @ 1.0 kHz
Power Level	(0 dB=1mW/pascal) -51 dB
Microphone Connector	3-pin, XLR-type
Polarity	Pin 2 positive, referenced to pin 3 with positive pressure on diaphragm
Finish	Non-reflecting black
Materials	
Memraflex™ grille screen	
Warm-Grip™ handle	
Dimensions	
Length	@ 7.1 in. (181 mm)
Diameter	@ 21 in. (52 mm)
Shank	@ 0.80 in. (20 mm)
Weight	
Net	@ 9.2 oz (260 g)
Shipping	@ 18.9 oz (535 g)
Accessories included	
Stand adapter (black)	
Soft zippered "gig" bag	

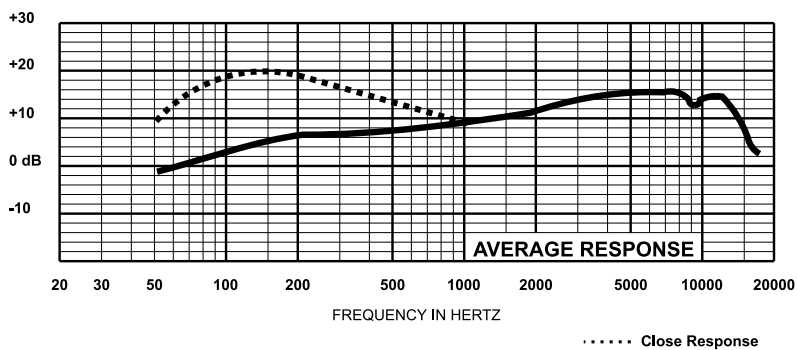
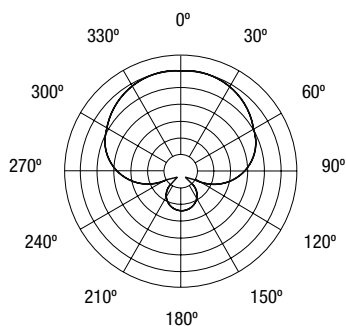
Standard Placement & Use Guidelines

1. Always point the microphone at the desired source of sound, and away from any unwanted sources.
2. The microphone should be located close to the sound source to minimize interference from other potential sound sources.
3. Use the 3-to-1 rule when using multiple microphones. Place each microphone three times farther from other microphones as from the desired sound source.
4. Minimize over-handling of the microphone to reduce unwanted mechanical noise
5. Working close to the microphone will increase the bass tone and also provide increased gain-before-feedback.

Warranty

This product is guaranteed against malfunction from any cause for two (2) years from the date of original purchase. In addition, the Limited Warranty for the acoustic system contained in the microphone shall apply for the life of this product, defines as a period of ten (10) years from the date that the manufacture of this microphone model has been discontinued. Any and all active electronics incorporated in this microphone are guaranteed against malfunction due to material workmanship for a period of three (3) years from the date of original purchase. This Limited Warranty does not extend to cables, connectors, or switches.

For warranty service please call us at:
616-695-6831 or 1-800-234-6831



USA 12000 Portland Ave South, Burnsville, MN 55337, Phone: 952-884-4051, FAX: 952-884-0043
Canada 705 Progress Avenue, Unit 46, Scarborough, Ontario, Canada, M1H2X1, Phone: 416-431-4975, 800-881-1685, FAX: 416-431-4588
Switzerland Keltenstrasse 11, CH-2563 IPSACH, Switzerland, Phone: 41/32-331-6833, FAX: 41/32-331-1221
Germany Hirschberger Ring 45, D94315, Straubing, Germany, Phone: 49 9421-706 392, Fax: 49 9421-706 287
France Parc de Courcerin, Allee Lech Walesa, Lognes, 77185 Marne La Vallee, France, Phone: 33/1-6480-0090, FAX: 33/1-6480-4538
Australia Unit 23, Block C, Slough Business Park, Slough Avenue, Silverwater, N.S.W. 2128, Australia, Phone: 61/2-9648-3455, FAX: 61/2-9648-5585
Hong Kong Unit E & F, 21/F, Luk Hop Industrial Bldg., 8 Luk Hop St., San PO Kong, Kowloon, Hong Kong, Phone: 852-2351-3628, FAX: 852-2351-3329
Japan 2-5-60 Izumi, Suginami-ku, Tokyo, Japan 168, Phone: 81-3-3325-7900, FAX: 81-3-3325-7789
Singapore 3015A Ubi Rd 1, 05-10, Kampong Ubi Industrial Estate, Singapore 408705, Phone: 65-746-8760, FAX: 65-746-1206
Mexico Av. Parque Chapultepec #66-201, Col. El. Parque Edo. Mex. 53390, Phone: (52) 5358-5434, FAX: (52) 5358-5588
UK 4, The Willows Centre, Willow Lane, Mitcham, Surrey CR4 4NX, UK, Phone: 44 181 640 9600, FAX: 44 181 646 7084
Africa, Mid-East 12000 Portland Ave South, Burnsville, MN 55337, Phone: 952-887-7424, FAX: 952-887-9212
Latin America 12000 Portland Ave South, Burnsville, MN 55337, Phone: 952-887-7491, FAX: 952-887-9212

www.electrovoice.com • Telex Communications, Inc. • www.telex.com
 ©Telex Communications, Inc. 6/2000 Part Number 535676

U.S.A. and Canada only.
For customer orders, contact the Customer Service department at
800/392-3497 Fax: 800/955-6831
For warranty repair or service information, contact the Service
Repair department at 800/685-2606
For technical assistance, contact Technical Support at 800/392-3497
 Please refer to the Engineering Data Sheet for warranty information.
 Specifications subject to change without notice.