

Mb700 Lifting Eyebolt Attachment Kit

- Mounting kit for System 2000™ speakers: Sx500¹
- Provides three attachment points for secure suspension of a single speaker cabinet
- Includes two steel plates for securing the two cabinet halves together as well as providing a pull-up point

1. At the time of publication, the only System 2000™ model to use the Mb700 attachment kit is the Sx500. Additional models are planned, and the general concepts and instructions given here should remain applicable for later models.

Description

The Mb700 is intended for very simple installations only to suspend an individual Sx500 loudspeaker in a near-vertical orientation. The enclosure can be positioned to angle downward slightly through the use of the pull-up point on the bottom plate (see Figure 1).

The Mb700 eyebolt attachment kit contains three lifting eyebolts, one mounting plate, one pull-up mounting plate, six M8 x 1.25 hex-head bolts, six lock washers, and one M8 locknut (see Chart 1). The eyebolt attachment points can then be used to suspend the System 2000™ speakers using hardware rated for overhead lifting.

Do not suspend System 2000™ enclosures face down from the ceiling using the Mb700 eyebolt attachment kit. The M8 eyebolts are not rated for lifting loads at 90 degrees, and such a configuration makes stabilization of the enclosure difficult. Instead, use the Mb500 installation kit for this and most other situations.

Hanging Instructions

Warning: Suspending any object is potentially dangerous and should be at-

tempted only by individuals who have a thorough knowledge of the techniques and regulations of rigging objects overhead. Electro-Voice sanctions suspending the Systems 2000™ speakers only when all current national, federal, state and local regulations are taken into account. When the System 2000™ speaker is suspended, Electro-Voice strongly recommends that the systems be inspected at least once a year. If any sign of weakness is detected, corrective action should be taken immediately.

The speaker is hung using two main lifting “chains” with a pull-up point on the pull-up mounting plate for aiming. The eyebolts have a 20-mm (3/4-in.) opening for the rigging hardware (shackles, etc.).

Installation Instructions

(see Figures 1, 2 and 3)

1. From the speaker, remove the plastic hole plugs, gently prying them with a small screwdriver.
2. Attach the bracket mounting plate to the top of the enclosure. The two eyebolts are used for the two inserts at the front of the enclosure while the bolts and lock washers are used for the two inserts on

the rear of the enclosure. Finger tighten the eyebolts until they are snug. Be sure that the correct alignment position is obtained, a maximum of one-half turn (see Figure 2), and that the eyebolts are not overtightened. **CAUTION: OVERTIGHTENING EYEBOLTS OR BOLTS CAN RESULT IN SYSTEM FAILURE AND INJURY.**

3. Attach the pull-up mounting plate to the bottom of the cabinet using four lock washers and four bolts (see Figure 3). Tighten bolts until they are snug, being sure not to overtighten. **CAUTION: OVERTIGHTENING BOLTS CAN RESULT IN SYSTEM FAILURE AND INJURY.**
4. Attach the pull-up eyebolt to the pull-up mounting plate using the locknut. Tighten eyebolt while being sure that the eyebolt is correctly aligned (see Figure 4).
5. Use certified hardware rated for overhead lifting to suspend the speaker (see Figure 5).

Mb700 Lifting Eyebolt Attachment Kit

Strength Rating

The Mb700 eyebolt attachment kit and the System 2000™ speaker enclosure are rated for suspending only one speaker with an angle between 0° and 45°. When properly suspended within these angles, there is a safety factor of greater than 10:1. **The Mb700 is designed to suspend only one system at a time, and hanging any additional weight from the speaker will create an unsafe condition.** Chart 2 lists the strength ratings for the M8 eyebolts. The eyebolts are not rated for angles greater than 45 degrees (see Figure 4). An exception to this would be the eyebolt which is used for speaker aiming and not for a main load-bearing point: the angle on this eyebolt can exceed 45 degrees.

Uniform Limited Warranty Statement

Electro-Voice products are guaranteed against malfunction due to defects in materials or workmanship for a specified period, as noted in the individual product-line statement(s) below, or in the individual product data sheet or owner's manual, beginning with the date of original purchase. If such malfunction occurs during the specified pe-

riod, the product will be repaired or replaced (at our option) without charge. The product will be returned to the customer prepaid.

Exclusions and Limitations: The Limited Warranty does not apply to: (a) exterior finish or appearance; (b) certain specific items described in the individual product-line statement(s) below, or in the individual product data sheet or owner's manual; (c) malfunction resulting from use or operation of the product other than as specified in the product data sheet or owner's manual; (d) malfunction resulting from misuse or abuse of the product; or (e) malfunction occurring at any time after repairs have been made to the product by anyone other than EVI Audio Service or any of its authorized service representatives. **Obtaining Warranty Service:** To obtain warranty service, a customer must deliver the product, prepaid, to EVI Audio Service or any of its authorized service representatives together with proof of purchase of the product in the form of a bill of sale or receipted invoice. A list of authorized service representatives is available from EVI Audio Service at 600 Cecil Street, Buchanan, MI 49107 (800/234-6831 or FAX 616/695-4743). **Incidental and Consequential Damages Ex-**

cluded: Product repair or replacement and return to the customer are the only remedies provided to the customer. Electro-Voice shall not be liable for any incidental or consequential damages including, without limitation, injury to persons or property or loss of use. Some states do not allow the exclusion or limitation of incidental or consequential damages so the above limitation or exclusion may not apply to you. **Other Rights:** This warranty gives you specific legal rights, and you may also have other rights which vary from state to state.

Electro-Voice Accessories are guaranteed against malfunction due to defects in materials or workmanship for a period of one (1) year from the date of original purchase. Additional details are included in the Uniform Limited Warranty statement.

For warranty repair, service information, or a listing of the repair facilities nearest you, contact the service repair department at: 616/695-6831 or 800/685-2606.

For technical assistance, contact Technical Support at 800/234-6831 or 616/695-6831, M-F, 8:00 a.m. to 5:00 p.m. Eastern Standard time.

Specifications subject to change without notice.

Mb700 Lifting Eyebolt Attachment Kit

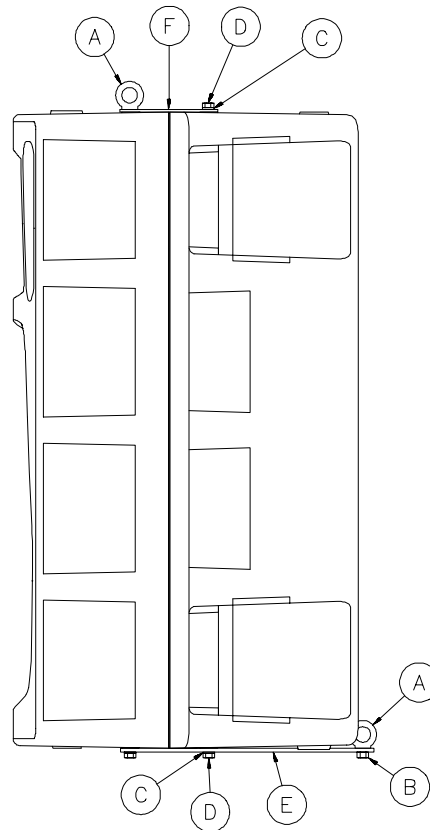
Chart 1: Mb700 Eyebolt Attachment Kit Parts List

Item	Part Number	Quantity	Description
A	20592	3	M8 x 1.25 x 13 mm lifting eyebolt
B	20657	1	M8 nylon collar locknut
C	38144	6	5/16 split-ring lock washer
D	63310	6	M8 x 1.25 x 25 mm hex head bolt
E	73700	1	Pull-up bracket mounting plate
F	73743	1	Bracket mounting plate

Chart 2: Working Load vs. Angle (5:1 safety factor)

Angle	0°	45°	90°
Load (kg [lb])	140 [300]	95 [200]	Not Rated

Figure 1—Attaching Mb700 Kit to Sx500



Mb700 Lifting Eyebolt Attachment Kit

Figure 2—Top View of Mb700 Kit on Sx500

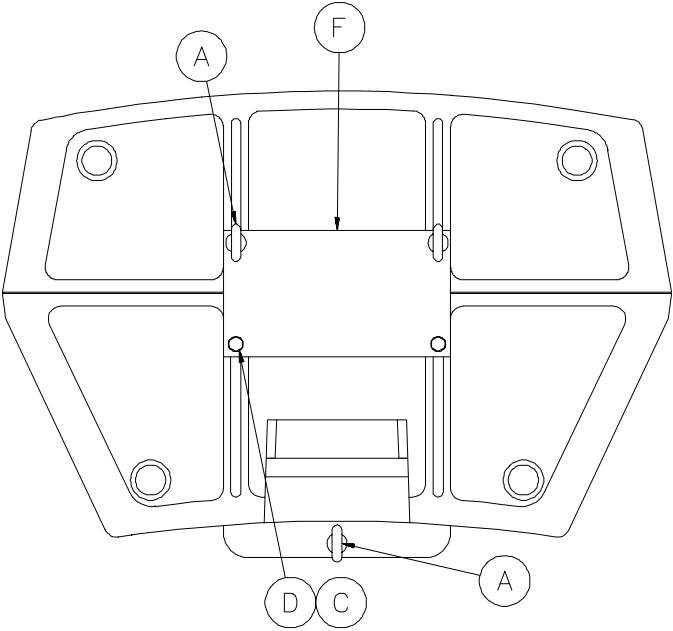
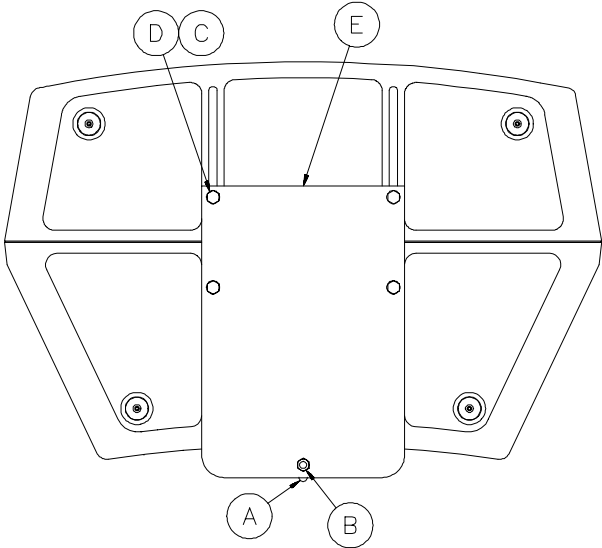
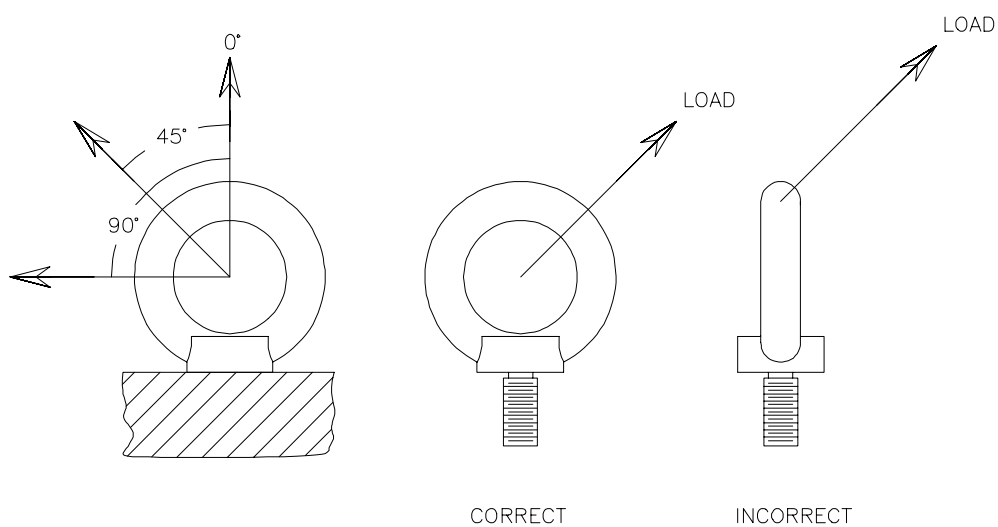


Figure 3—Bottom View of Mb700 Kit on Sx500



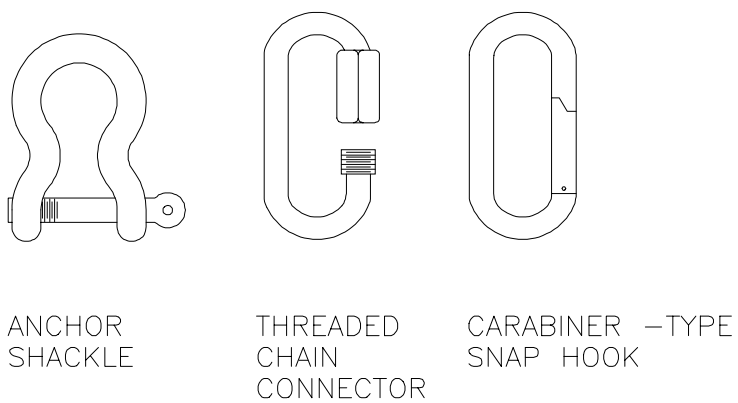
Mb700 Lifting Eyebolt Attachment Kit

Figure 4—Rigging Point and Load Angles



Mb700 Lifting Eyebolt Attachment Kit

Figure 5—Examples of Useful Rigging Hardware



Mb700 Lifting Eyebolt Attachment Kit

Specifications

Eyebolts:

M8 x 1.25 x 13 mm—Eye Diameter:

20 mm (3/4 in.)

Drop forged steel, black nickel plated

Brackets:

7- and 10-gauge cold-rolled steel,

Black wrinkle powder coat

Net Weight:

3.6 kg (8 lb)

Shipping Weight:

4.5 kg (10 lb)

Mb700 Lifting Eyebolt Attachment Kit

Electro-Voice®

600 Cecil Street, Buchanan, MI 49107

616/695-6831, 616/695-1304 Fax

©EVI Audio 1997 • Litho in U.S.A.