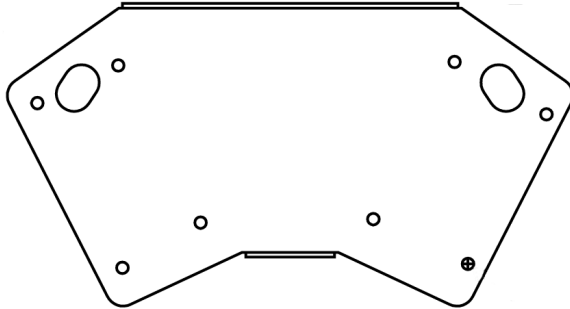


## Mb300

### And Mb300W Horizontal Array Kit

- Array kit for System™ 200 speakers
- Creates arrays of two to six speakers when used with the Mb200 installation bracket
- Two mounting angles: 50° and 60°
- Provides a rigid frame for arraying speakers from one to two levels



#### Description

The Mb300 horizontal array kit contains two brackets and eight of each of the following:  $\frac{5}{16}$ -18 x 1 hex-head bolts,  $\frac{5}{16}$  lock washers,  $\frac{5}{16}$ -18 nuts. Chart 1 (below) details part descriptions, quantity and part numbers.

The Mb300 is used in conjunction with the Mb200 installation bracket to create a speaker array. Selection of the required number of each kit is shown in Chart 2 (below).

The array can be constructed in either of two angular configurations:

1. Speakers side by side (50° angle) for a tight array.
2. Speakers spread slightly (60° angle) for wider coverage. Note that a full 360° array can only be accomplished with the 60° angle pattern.

Suspension of the speaker array is made easy with the four 12.7-mm (0.5-in.) holes located on the Mb300. A cable, chain quick link, or

other suitable hardware which is rated for overhead lifting (not supplied with this kit) can be used to connect to the array for flying.

#### Assembling The Array

1. Refer to Figure 2 for the following steps.
2. Arrange the Mb200 brackets (E) (not supplied with this kit) on the floor in the approximate array pattern. Use one Mb300 bracket as a guide.
3. Select the hole pattern for the desired angle from Figure 3.
4. Place one Mb300 bracket (A) on top of two of the Mb200 brackets. Note: for arrays consisting of three speakers, place the second Mb300 bracket on top of the first (see Figure 5). For arrays with four or more speakers, alternate the Mb300 brackets—one top, one bottom, one top, etc.
5. Insert four of the  $\frac{5}{16}$  bolts (B) into the proper holes, following the pattern previously selected (step 3).

6. Place the lock washer (C) and then the nut (D) on one of the bolts. Tighten the nut until the lock washer is compressed.
7. Repeat step 6 on the remaining bolts.
8. Flop the array over and repeat steps 4-7.

**Note:** the bolt patterns as shown in Figure 3 is correct only when looking down onto the Mb300. The bolt patterns are inverted from top to bottom. Trying to match the “bottom” bolt pattern to the “top” bolt pattern will result in a mismatching of the top and bottom Mb300 brackets.

9. Install the speakers into the Mb200 brackets following the Mb200 Data Sheet FLYING INSTRUCTION steps 1-8, as shown in Figure 6.

**CHART 2: Kit Requirements for System 200™ Horizontal Array Construction**

# of Enclosures in Array:	# of Kits Req'd	
	M <sub>b</sub> 200	M <sub>b</sub> 300
2	2	1
3	3	2
4	4	3
5	5	4
6 (complete circle)	6	6

**CHART 1: Mb300 Horizontal Array Kit Parts List**

Item	Description	Quantity	Part Number
A	Bracket	2	71760
B	5/16-18 x 1 hex head bolt	8	63105
C	5/16 split ring lock washer	8	38144
D	5/16-18 x 1 hex head nut	8	20597

# Mb300/Mb300W Horizontal Array Kit

## Mb300 SPECIFICATION GRAPHICS

FIGURE 1 — Mb300 Horizontal Array Kit Dimensions

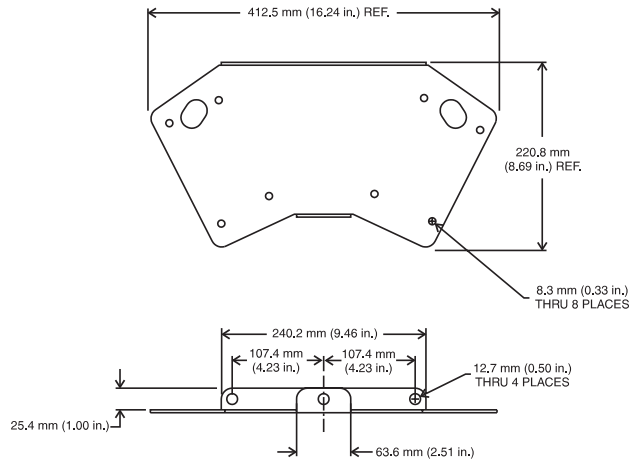


FIGURE 2 — Assembling a System 200™ Horizontal Array Using Mb200 and Mb300 brackets (exploded view)

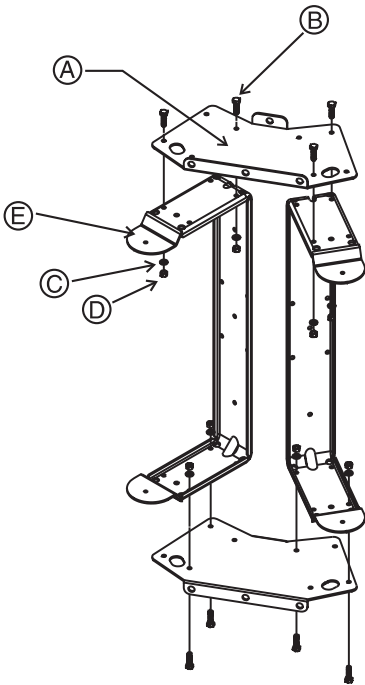


FIGURE 3 — Bolt-Hole Patterns for Array Assembly, 50° and 60° Configurations (overhead view)

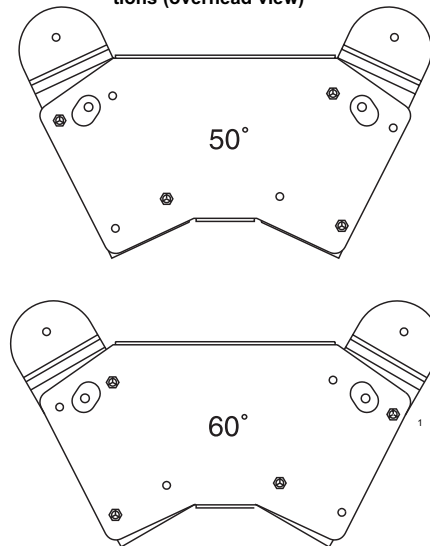
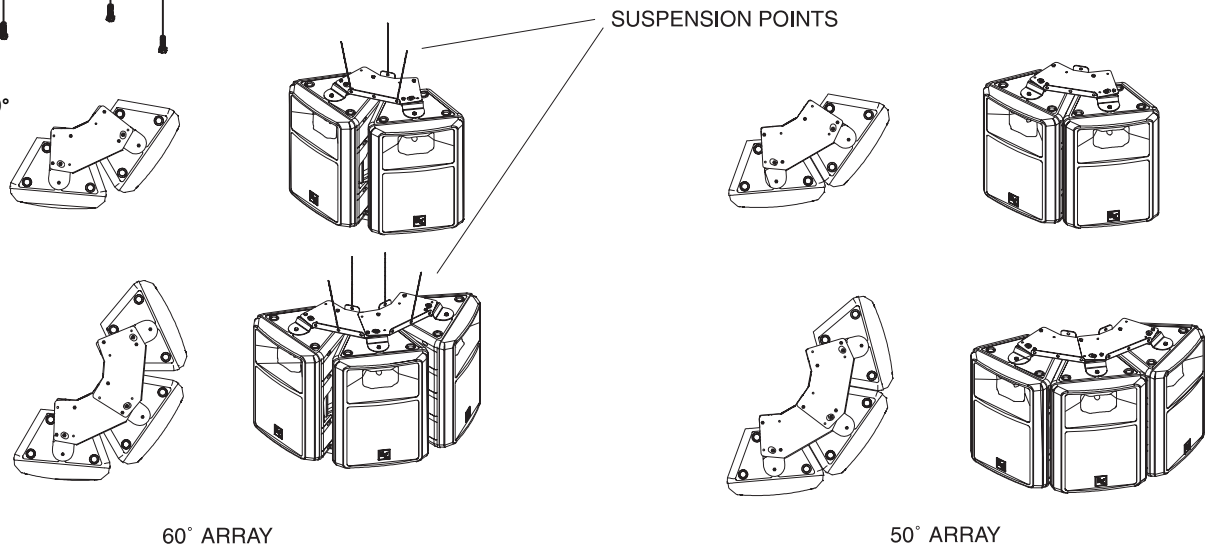


FIGURE 4 — 50° and 60° Horizontal Array Configurations



## Suspending The Array

1. Locate the four 12.7-mm (0.5-in.) holes on the Mb300 bracket. These are used as attachment points for suspending the System 200™ array. Suspending an array of two speakers requires three attachment points. Arrays which contain more than two speakers require at least two attachments points per bracket (see Figure 4). **Note: the attachment points are rated for a maximum of two levels of speaker arrays. Exceeding the attachment point safety rating can result in system failure and injury.**

2. A cable, chain quick link or other suitable hardware rated for overhead lifting (not supplied) can be used to connect to the attachment points on the Mb300 array bracket for flying.

## Limited Warranty

Electro-Voice products are guaranteed against malfunction due to defects in materials or workmanship for a specified period, as noted in the individual product-line statement(s) below, or in the individual product data sheet or owner's manual, beginning with the date of original purchase. If such malfunction occurs during the specified period, the product will be repaired or replaced (at our option) without charge. The product will be returned to the customer prepaid. **Exclusions and Limitations:** The Limited Warranty does not apply to: (a) exterior finish or appearance; (b) certain specific items described in the individual product-line

60° ARRAY

50° ARRAY

# Mb300/Mb300W Horizontal Array Kit

statement(s) below, or in the individual product data sheet or owner's manual; (c) malfunction resulting from use or operation of the product other than as specified in the product data sheet or owner's manual; (d) malfunction resulting from misuse or abuse of the product; or (e) malfunction occurring at any time after repairs have been made to the product by anyone other than Electro-Voice Service or any of its authorized service representatives. **Obtaining Warranty Service:** To obtain warranty service, a customer must deliver the product, prepaid, to Electro-Voice Service or any of its authorized service representatives together with proof of purchase of the product in the form of a bill of sale or receipted invoice. A list of authorized service representatives is available from Electro-Voice Service at 600 Cecil Street, Buchanan, MI 49107 (800/234-6831 or FAX 616/695-4743). **Incidental and Consequential Damages Excluded:** Product repair or replacement and return to the customer are the only remedies provided to the customer. Electro-Voice shall not be liable for any incidental or consequential damages including, without limitation, injury to persons or property or loss of use. Some states do not allow the exclusion or limitation of incidental or consequential damages so the above limitation or exclusion may not apply to you. **Other Rights:** This warranty gives you specific legal rights, and you may also have other rights which vary from state to state.

**Electro-Voice Accessories** are guaranteed against malfunction due to defects in materials or workmanship for a period of one (1) year from the date of original purchase. Additional details are included in the Uniform Limited Warranty statement.

**For warranty repair** or service information, contact the service repair department at: 616/695-6831 or 800/685-2606.

**For technical assistance,** contact Technical Support at 800/234-6831 or 616/695-6831, M-F, 8:00 a.m. to 5:00 p.m. Eastern Standard Time.

Specifications subject to change without notice.

FIGURE 5 — Bracket Orientation and Assembly (arrays with three or more speakers)

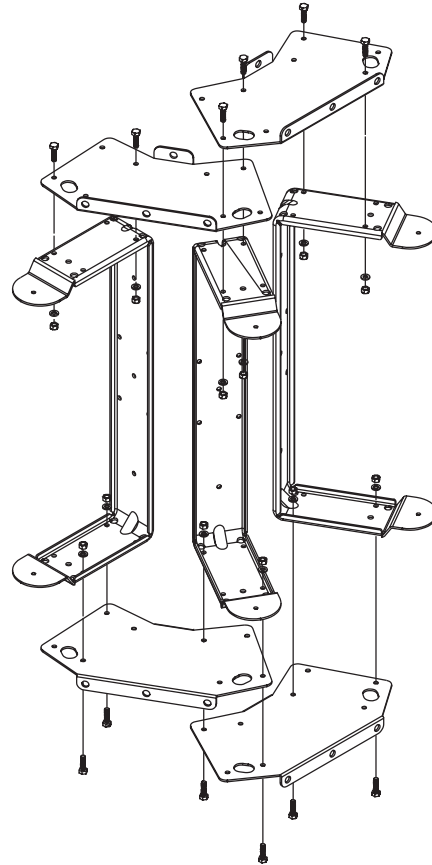
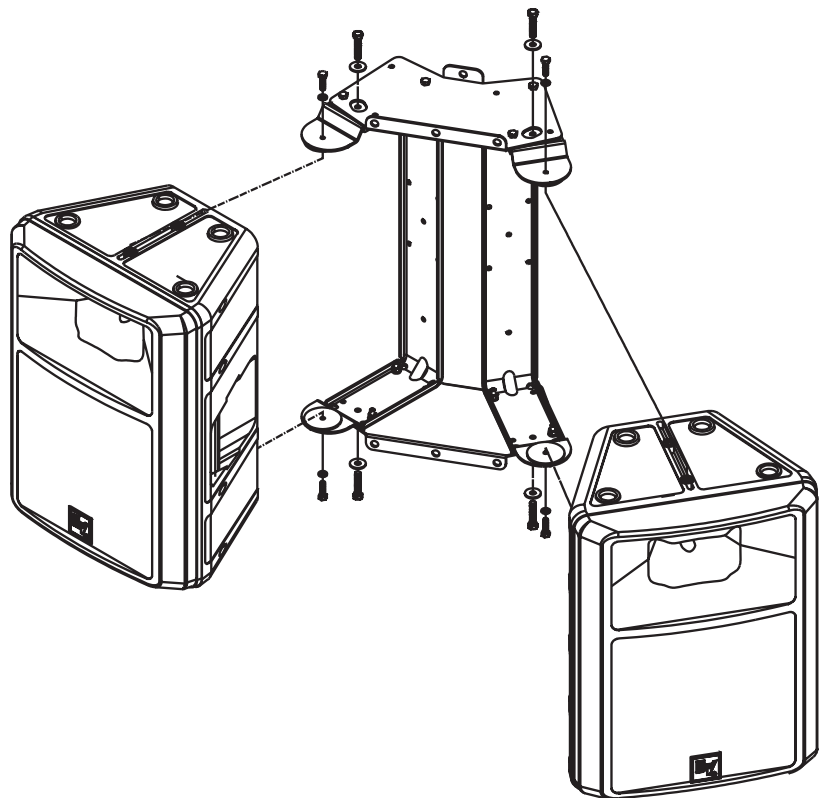


FIGURE 6 — Installing System 200™ Speakers into the Mb200 Brackets (exploded view)



# Mb300/Mb300W Horizontal Array Kit

---

## Specifications:

---

### Suspension Holes:

Four 12.7-mm (0.5-in.) diameter holes  
(see Figure 1)

### Mb300 Mounting Holes:

Four 8-mm ( $\frac{5}{16}$ -in.) diameter holes

### Material:

10-gauge cold-rolled steel

### Finish:

Black wrinkle powder coat

### Net Weight:

3.63 kg (8.0 lb)

### Shipping Weight:

4.08 kg (9.0 lb)

## CAUTION:

**Suspending any object is potentially dangerous and should be attempted only by individuals who have a thorough knowledge of the techniques and regulations of rigging objects overhead. Electro-Voice sanctions suspending the System 200™ speakers only when all current national, federal, state and local regulations are taken into account. When the System 200™ speaker is suspended, Electro-Voice strongly recommends that system be inspected at least once a year. If any sign of weakness is detected, corrective action should be taken immediately.**

---

# Electro-Voice®

600 Cecil Street, Buchanan, MI 49107

616/695-6831, 616/695-1304 Fax

©EVI Audio 1998 • Litho in U.S.A.