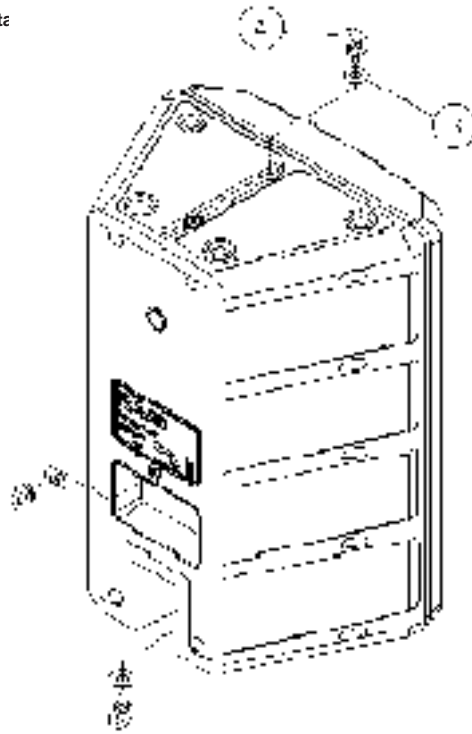


FIGURE 1 — Eye Bolt Inst:



Mb100 Eye-Bolt Attachment Kit

- Mounting kit for System 200™ speakers: Sx100, Sx200 and Sb120¹
- Provides three attachment points for secure suspension of a single speaker cabinet

1. At time of publication, only these models were available in the System 200™ series, but additional models are planned. The general concepts and instructions given here should remain applicable for later models.

SPECIFICATIONS:

Eye Bolts:

M8 x 1.25 x 13 mm—eye diameter:
20 mm (3/4 in.)

Material:

Drop forged steel, black nickel plated

Net Weight:

0.2 kg (0.44 lb)

Shipping Weight:

0.3 kg (0.60 lb)

CAUTION:

Suspending any object is potentially dangerous and should be attempted only by individuals who have a thorough knowledge of the techniques and regulations of rigging objects overhead. Electro-Voice sanctions suspending the System 200™ speakers only when all current national, federal, state and local regulations are taken into account. When the System 200™ speaker is suspended, Electro-Voice strongly recommends that the system be inspected at least once a year. If any sign of weakness is detected, corrective action should be taken immediately.

DESCRIPTION

The Mb100 is intended for very simple installations only, to suspend an individual Sx100, Sb120 or Sx200 loudspeaker in a near-vertical orientation (see Figure 1).² A second, redundant insert point is provided in the top of the enclosure so a supplementary independent means of suspension can be attached when regulations specify. The enclosure can be positioned to angle downward slightly through the use of the pull-up point at the back of the enclosure.

The Mb100 Eye-Bolt Attachment Kit contains three lifting eye-bolts which screw into the inserts provided on the System 200™ speakers. The eyebolt attachment points can then be used to suspend the System 200™ speakers using hardware rated for overhead lifting.

Note that two top suspension cables should be used at all times to provide needed stability to the installation (see Figure 4).

Do not suspend System 200™ enclosures face down from the ceiling using the Mb100 Eyebolt Attachment Kit. The M8 eyebolts are not rated for lifting loads at 90°, and such a configuration makes stabilization of the enclosure difficult. Instead, use the Mb200 Installation Kit for this and most other situations.

HANGING INSTRUCTIONS

The speaker is hung using one or two main lifting “chains” with a pull-up point in the back for aiming. Two lifting chains can be used to prevent the speaker from swaying, but both of the rigging hardware (shackles, etc.) must fit through the 20-mm (3/4-in.) opening.

INSTALLATION INSTRUCTIONS

(see Figure 1)

1. From the speaker, remove the plastic hole plugs, gently prying them with a small screw driver.

2. Screw the eye bolt into the insert until the shoulder has contacted the plastic.
3. Finger tighten eye bolt until correct alignment position is obtained, a maximum of one-half turn (see Figure 2).
CAUTION: OVERTIGHTENING THE EYE BOLT WITH A WRENCH, SCREW DRIVER, etc. CAN RESULT IN SYSTEM FAILURE AND INJURY.
4. Use certified hardware rated for overhead lifting to suspend the speaker (see Figure 3).

STRENGTH RATING

The Mb100 Eye-Bolt Attachment Kit and the System™ 200 speaker enclosure are rated for suspending only one speaker (5:1 safety factor). **Hanging any additional weight from the speaker will exceed its strength rating and create an unsafe condition.** Table 2 lists the strength ratings for the M8 eye bolts. The eye bolts are not rated for angles greater than 45 degrees (see Figure 2). An exception to this would be the eye bolt which is used for speaker aiming and not for a main load-bearing point; the angle on that eye bolt can exceed 45 degrees.

TABLE 1 — Contents

Reference Letter	EV Part No.	Quantity	Description
A	20592	3	M8x 1.25 x 13 mm lifting eye bolt

2. The Mb100 Eyebolt Attachment Kit is not recommended for suspension of active systems such as the Sb120a.

TABLE 2 — Working Load vs. Angle (5:1 safety factor)

Angle	0°	45°	90°
Load (kg [lb])	140 [300]	95 [200]	Not Rated

M_b100 SPECIFICATION GRAPHICS

FIGURE 2 — Rigging Point and Load Angles

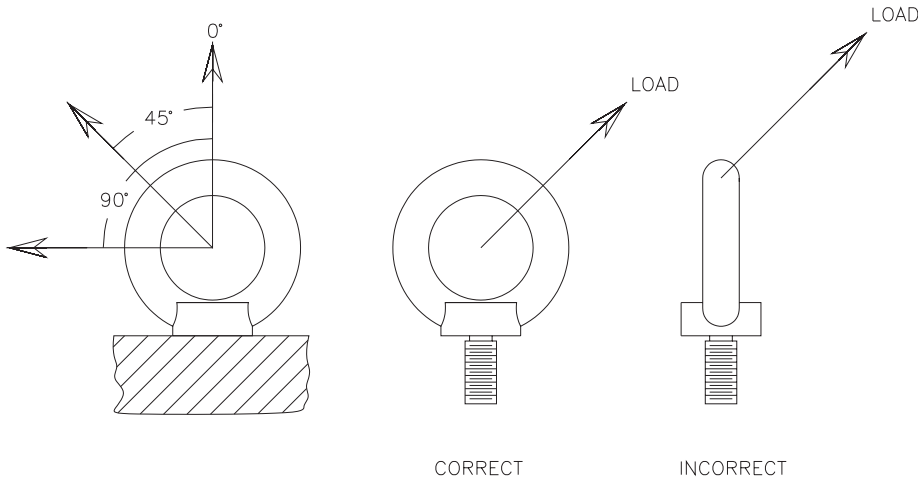


FIGURE 3 — Examples of Useful Rigging Hardware

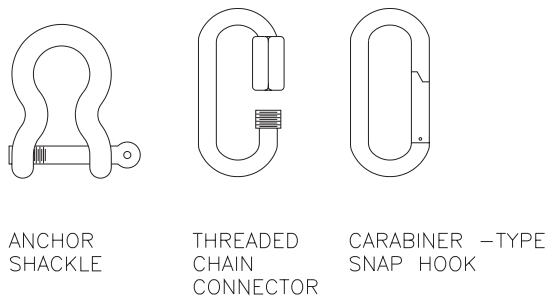


FIGURE 4 — Overhead Suspension Using the M_b100 Eye-Bolt Attachment Kit

UNIFORM LIMITED WARRANTY

Electro-Voice products are guaranteed against malfunction due to defects in materials or workmanship for a specified period, as noted in the individual product-line statement(s) below, or in the individual product data sheet or owner's manual, beginning with the date of original purchase. If such malfunction occurs during the specified period, the product will be repaired or replaced (at our option) without charge. The product will be returned to the customer prepaid. **Exclusions and Limitations:** The Limited Warranty does not apply to: (a) exterior finish or appearance; (b) certain specific items described in the individual product-line statement(s) below, or in the individual product data sheet or owner's manual; (c) malfunction resulting from use or operation of the product other than as specified in the product data sheet or owner's manual; (d) malfunction resulting from misuse or abuse of the product; or (e) malfunction occurring at any time after repairs have been made to the product by anyone other than Electro-Voice or any of its authorized service representatives. **Obtaining Warranty Service:** To obtain warranty service, a customer must deliver the product, prepaid, to Electro-Voice or any of its authorized service representatives together with proof of purchase of the product in the form of a bill of sale or receipted invoice. A list of authorized service representatives is available from Electro-Voice at 600 Cecil Street, Buchanan, MI 49107 (616/695-6831 or 800/234-6831). **Incidental and Consequential Damages Excluded:** Product repair or replacement and return to the customer are the only remedies provided to the customer. Electro-Voice shall not be liable for any incidental or consequential damages including, without limitation, injury to persons or property or loss of use. Some states do not allow the exclusion or limitation of incidental or consequential damages so the above limitation or exclusion may not apply to you. **Other Rights:** This warranty gives you specific legal rights, and you may also have other rights which vary from state to state.

Electro-Voice Accessories are guaranteed against malfunction due to defects in materials or workmanship for a period of one (1) year from the date of original purchase. Additional details are included in the Uniform Limited Warranty statement.

Service and repair address for this product: Electro-Voice, Inc., 600 Cecil Street, Buchanan, Michigan 49107 (616/695-6831 or 800/234-6831).

Specifications subject to change without notice.



ELECTRO-VOICE a MARK IV company 600 Cecil Street, Buchanan, Michigan 49107

MANUFACTURING PLANTS AT ■ BUCHANAN, MI ■ NEWPORT, TN ■ SEVIERVILLE, TN ■ OKLAHOMA CITY, OK ■ GANANOQUE, ONT.
© Electro-Voice, Inc. 1994 ■ Litho in U.S.A. Part Number 532382 — 9423