



TC-ZX1i Terminal Cover

Assembly and Installation Instructions

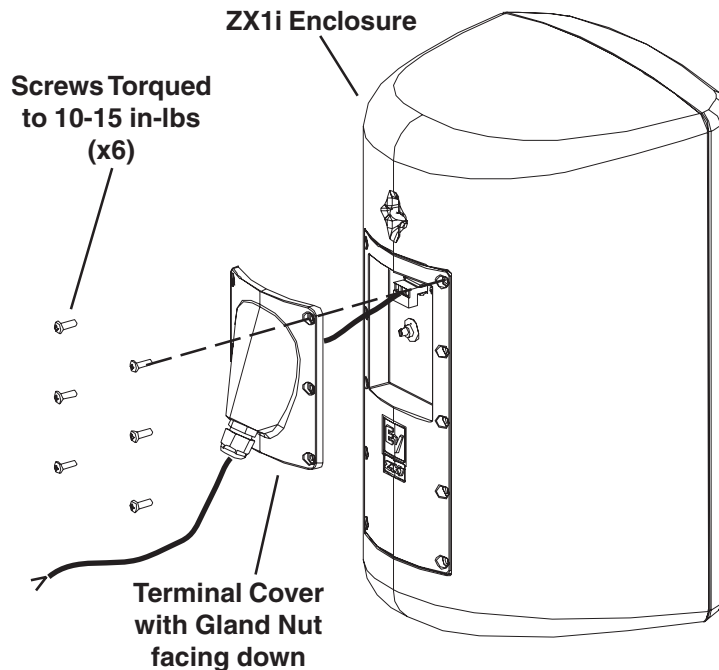
ZX1i

Weatherized Terminal Cover Kits

Model	Cat. No.	Description
TC-ZX1i	301955-001	Weatherized terminal cover for ZX1i Speaker System - Black
TC-ZX1iW	301955-002	Weatherized terminal cover for ZX1i Speaker System - White

1. Remove the Nut on the outside of the Terminal Cover.
2. Thread the cable through the Nut and then the Gland and attach to terminals.
3. Remove the top 6 screws from input panel and attach Terminal Cover to speaker using screws supplied with the Terminal Cover Kit.
4. Tighten the Nut to the Terminal Cover to form a seal around the cable.

Note: In order to form a liquid-tight seal, the cable must have a single, round, cross-sectional jacket. The diameter of the cable must be between .17 in. (4.32 mm) and .395 in. (10.03 mm). If the diameter of the cable is larger than .25 in., remove the rubber insert within the gland.



12000 Portland Avenue South, Burnsville, MN 55337
Phone: 952/884-4051, Fax: 952/884-0043

www.electrovoice.com

© Telex Communications, Inc. 10/2005
Part Number 38110-516 Rev 1

U.S.A. and Canada only. For customer orders, contact Customer Service at:
800/392-3497 Fax: 800/955-6831

Europe, Africa, and Middle East only. For customer orders, contact Customer Service at:
+ 49 9421-706 0 Fax: + 49 9421-706 265

Other International locations. For customer orders, contact Customer Service at:
+ 1 952 884-4051 Fax: + 1 952 887-9212

For warranty repair or service information, contact the Service Repair department at:
800/685-2606

For technical assistance, contact Technical Support at: **866/78AUDIO**

Specifications subject to change without notice.