

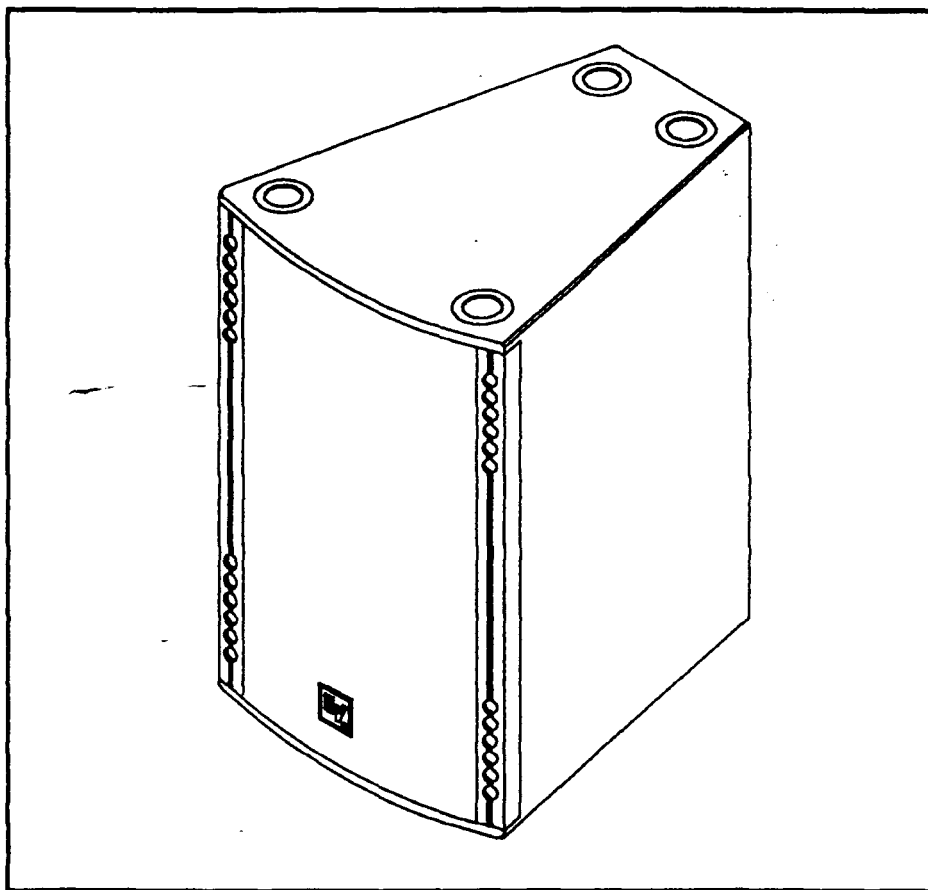


Electro-Voice®
A Division of TELEX/EVI Audio
600 Cecil Street
Buchanan, Michigan 49107
Phone: 616-695-6831
FAX: 616-695-4743

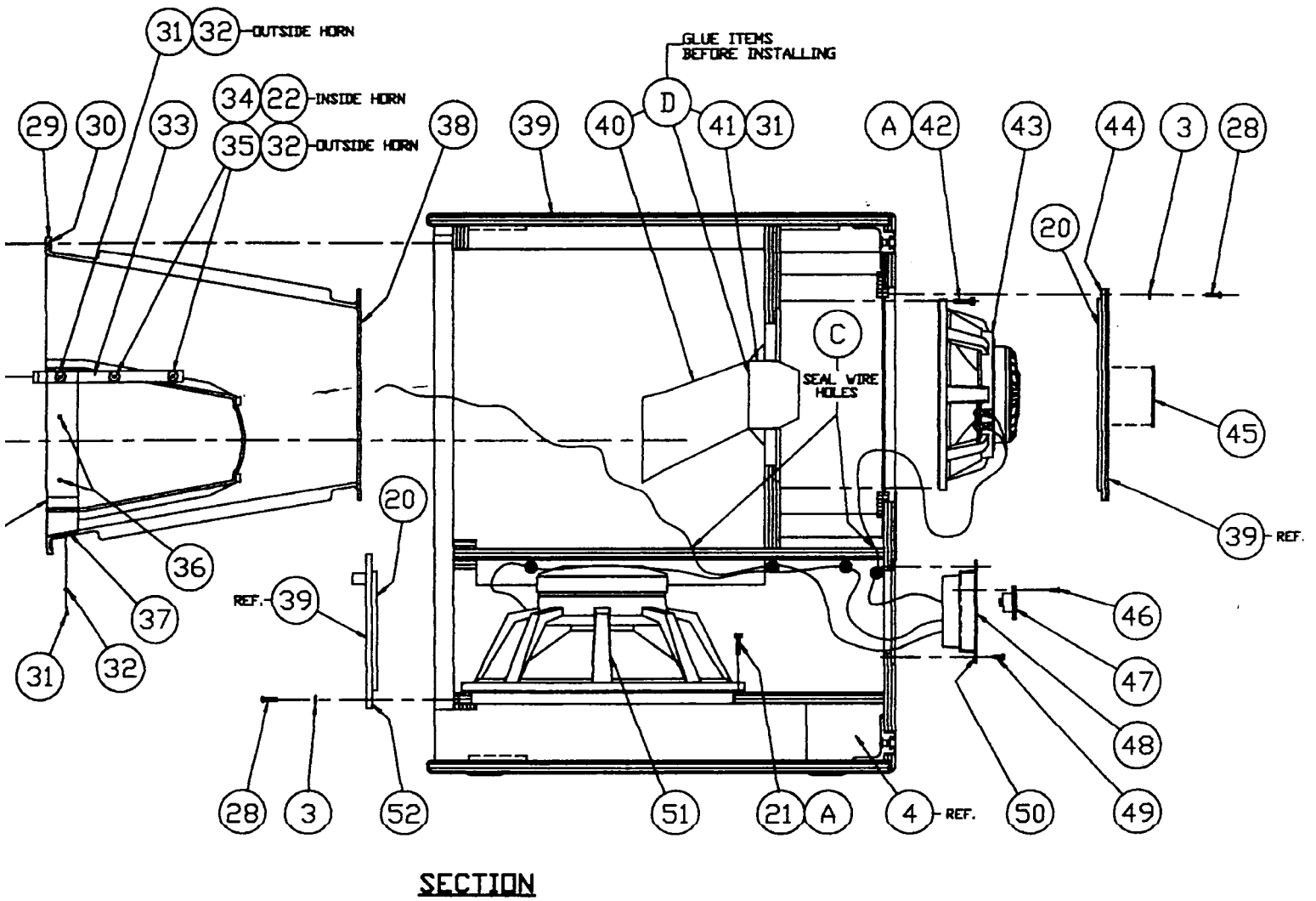
SERVICE DATA

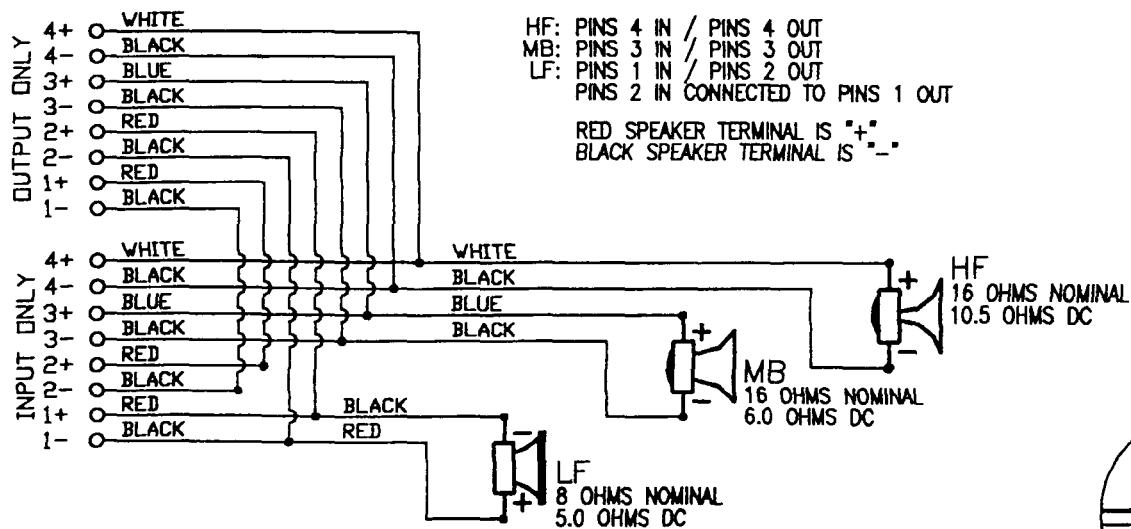
XN

(1134-2906)



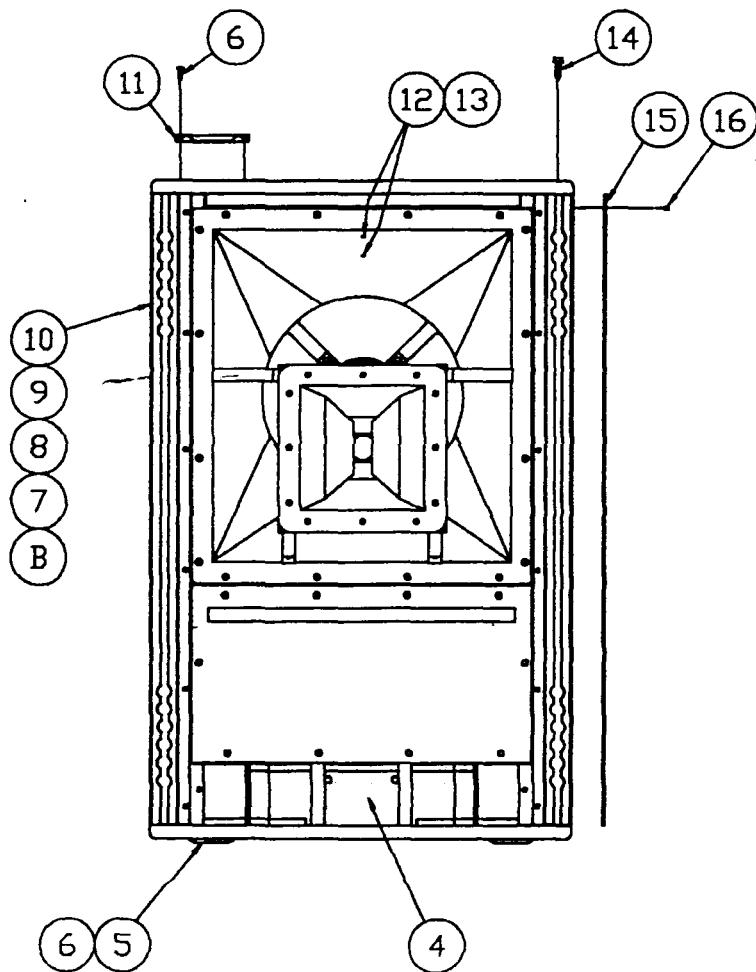
ADHESIVES		
ITEM	PART NO.	DESCRIPTION
A	97282	LOCTITE #242
B	97498	ADH, CAULK, BLACK VINYL, GLOUCESTER "PHENOSEAL"
C	97273	HOT MELT #1942
D	97512	ADH, URETHANE SEALANT, BOSTIK # 1100FS



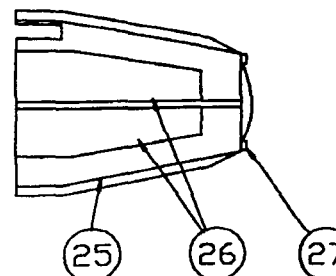
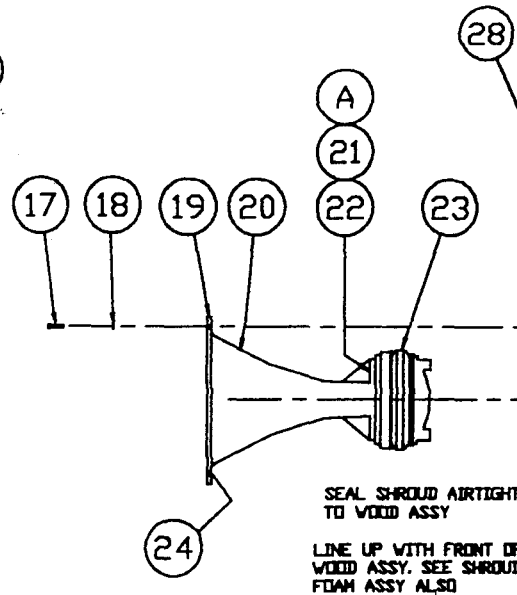


WIRING DIAGRAM

FRONT VIEW with GRIL



FRONT VIEW W/O GRILLE



SHROUD FOAM ASSEMBL

PARTS LIST

QUANTITIES SHOWN ARE FOR ONE COMPLETE UNIT

ITEM	PART NO.	QTY.	DESCRIPTION
1	84456	1	GRILLE S/A, X-ARRAY FULL SIZE
2	63372-CP	12	SCR, #10-24 x 1/2, PAN HD, XREC, STL
3	38809	48	WASHER, .50 OD x .188 ID x .063 T, FLT, BLK NYLON
4	73408	3	FOAM, ABSORBER, 7.0 x 7.0 x 4.5
5	28333	4	FOOT, ALIGNING, MALE
6	63088-CP	32	SCR, #8-15 x 3/4, PAN HD, XREC, TYPE A, STL, BLK ZINC
7	A 73601	2	EXTRUSION, ALUM, RIGGING TRACK, FRONT, 34.55" LG.
8	63136-BX	10	SCR, 5/16-18 x 1 1/4, FLT HD, HEX SKT, GR 8
9	38878	10	WASHER, .688 x .065 T, FLT, STL, ZINC
10	20434-CL	10	NUT, 5/16-18, HEX, ELASTIC STOP
11	28334	4	FOOT, ALIGNING, FEMALE
12	63119-CP	2	SCR, #8-16 x 1 3/4, FLT HD, XREC, TYPE AB, STL
13	38768	2	WASHER, #8 C'SUNK, FINISHING, BLK NYLON
14	63363-CP	4	SCR, 3/8-16 x 1 1/4, HEX WSHR HD, TAPPING, TYPE F, STL
15	A 11664	2	PLASTIC, EXTRUSION, TRIM, 34.55" LG.
16	63364-CP	18	SCR, #8-32 x 1/2, PAN HD, TAPPING, TYPE F, STL
17	63366-CP	12	SCR, #8-32 x 3/4, TRUSS HD, XREC, STL
18	38865	12	WASHER, .375 OD x .171 ID x .032 T, FLT, BLK NYLON
19	84257	1	HORN S/A, HPS-64, 60 x 40, SINGLE
20	534481	3	LABEL, WIRING, XN
21	63349-CP	12	SCR, 1/4-20 x 1 1/4, HEX SKT HD, CAP
22	38843	8	WASHER, .562 OD x .250 ID x .065 T, FLAT, STL, BLK ZINC
23	827-2973	1	ND5-16, NEO 3" DIA, 1.4" EXIT 16 OHM, SYSTEM
24	28347	1	TAPE, FOAM, CLOSED CELL, .50 x .063 THK. x 3.1 LF
25	73603	1	SHROUD, HF, STRAIGHT
26	73738	4	FOAM, ACOUSTIC ABSORBER
27	28350	1	TAPE, FOAM, CLOSED CELL, .50 x .50 THK. x 1.5 LF
28	L 607214-CP	36	SCR, #10-24 x 7/8, PAN HD, XREC, STL
29	84430	1	HORN S/A, MB 60 x 40, SINGLE
30	28348	1	TAPE, FOAM, CLOSED CELL, .50 x .125 THK. x 6.5 LF
31	63116	8	SCR, #8-16 x 1", TRS HD, TYPE II XREC, TYPE AB, STL
32	38549	8	WASHER, 1 1/8 OD x 9/32 ID x .062 T
33	28347	2	TAPE, FOAM, CLOSED CELL, .50 x .063 THK. x 10 IN.
34	20637	4	NUT, #10-24, HEX, NYLON LOCKING
35	63377-AE	4	SCR, #10-24 x 2", PAN HD, XREC, STL
36	63344-CP	8	SCR, #8-15 x 3/4, TRS HD, TYPE AB, STL
37	28348	2	TAPE, FOAM, CLOSED CELL, .50 x .125 THK. x 2 IN.
38	28349	1	TAPE, FOAM, CLOSED CELL, .50 x .063 THK x 3.2 LF
39	84414	1	ENCLOSURE, XN
40	73592	1	TUBE, PHASE PLUG
41	73591	1	PHASE PLUG, CUP
42	63179-CP	4	SCR, 1/4-20 x 1 1/2, HEX SKT HD, CAP
43	812-2858	1	LOUDSPEAKER, 12" FOR SYSTEM, ND12A
44	28348	1	TAPE, FOAM, CLOSED CELL, .50 x .125 THK. x 4.1 LF
45	534476	1	LABEL, WARNING
46	63254-CP	8	SCR, #6-19 x 3/4, HEX WSHR HD, SLTD, BLNT
47	17307	2	CONNECTOR, NEUTRIK, CHASSIS, 8-PIN, NLBMPR
48	84627	1	PANEL S/A, INPUT, 2 X 8 XN
49	63075-CP	8	SCR, #8-15 x 3/4, OVL HD, XREC, TYPE A, STL
50	28347	1	TAPE, FOAM, CLOSED CELL, .50 x .063 THK. x 2.1 LF
51	818-2883	1	EVX1808 SYSTEM
52	28348	1	TAPE, FOAM, CLOSED CELL, .50 x .125 THK. x 4.8 LF