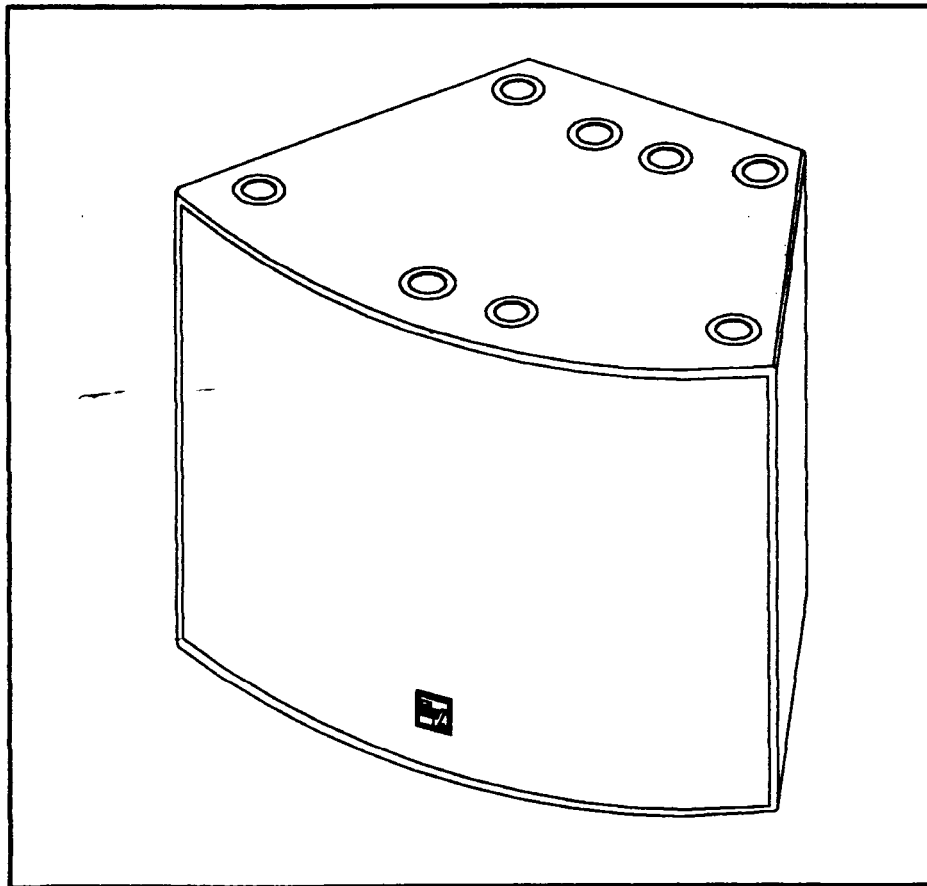




Electro-Voice®
A Division of TELEX/EVI Audio
600 Cecil Street
Buchanan, Michigan 49107
Phone: 616-695-6831
FAX: 616-695-4743

SERVICE DATA

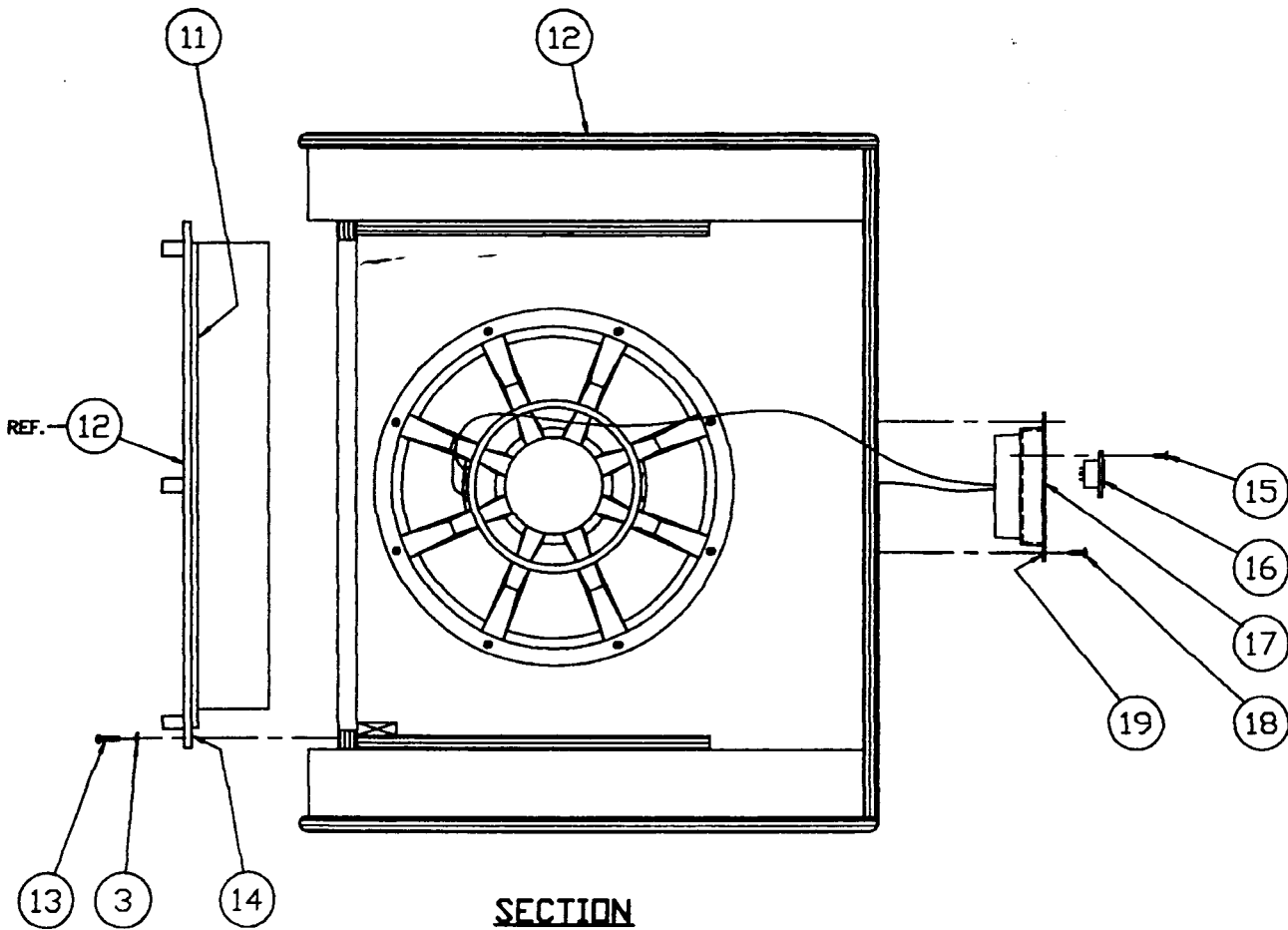
XDS (1133-2905)

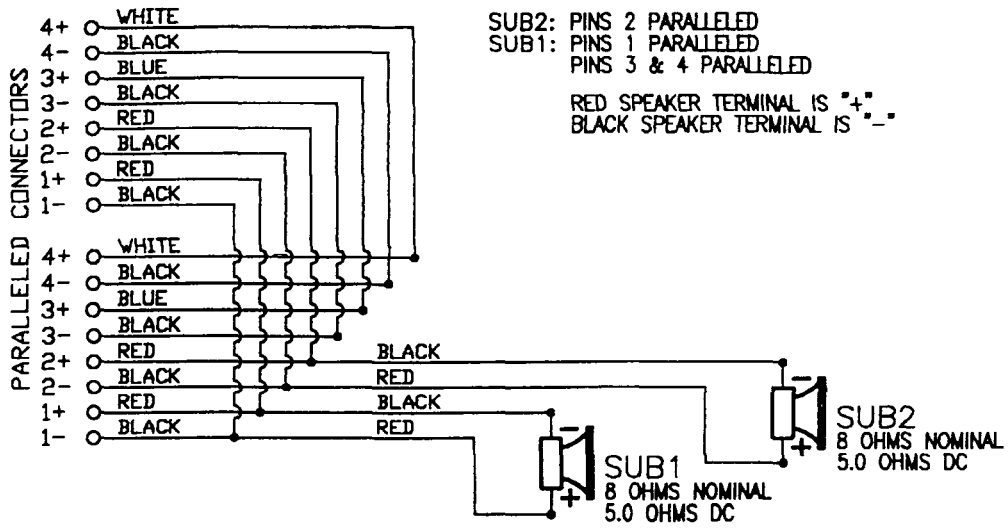


ADHESIVES		
ITEM	PART NO.	DESCRIPTION
A	97282	LOCTITE #242

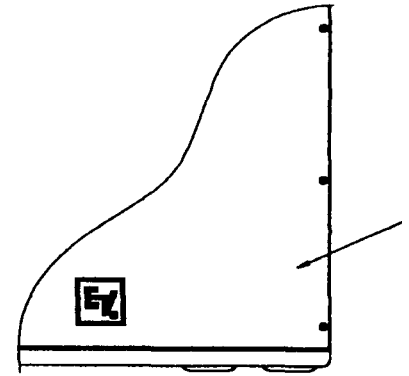
NOTES

1. USE SHORTER SCREWS (ITEM 8) IN THE TWO MOUNTING HOLES TOWARDS THE OUTSIDE OF THE ENCLOSURE ON EACH OF THE (2) TOP AND THE (2) BOTTOM FRONT MIDDLE ALIGNING FEET SO THAT THESE SCREWS DO NOT BREAK THROUGH THE WOOD BECOMING VISIBLE IN THE PORTS. LONGER SCREWS (ITEM 7) ARE USED IN ALL REMAINING ALIGNING FEET MOUNTING HOLES.

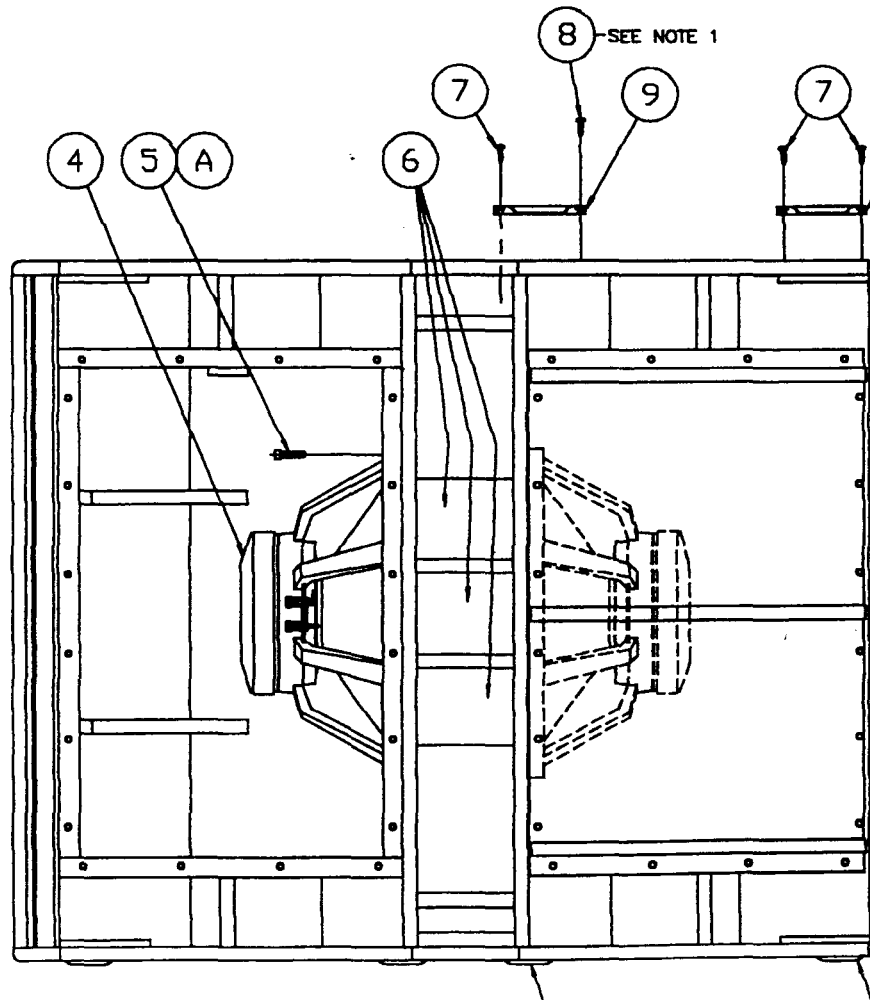




WIRING DIAGRAM



FRONT VIEW with GRILL



**FRONT VIEW W/O GRILLE AND
(1) HATCH PANEL REMOVED**

PARTS LIST

QUANTITIES SHOWN ARE FOR ONE COMPLETE UNIT

ITEM	PART NO.	QTY.	DESCRIPTION
1	84895	1	GRILLE S/A, X-ARRAY DBL WIDE
2	63372-CP	12	SCR, #10-24 x 1/2, PAN HD, XREC, STL
3	38809	56	WASHER, .50 OD x .188 ID x .063 T, FLT, BLK NYLON
4	818-2883	2	EVX-180B LOUDSPEAKER SYSTEM
5	63349-CP	16	SCR, 1/4-20 x 1 1/4, HEX SKT HD, CAP
6	73408	3	FOAM, ABSORBER, 7.0 x 7.0 x 4.5
7	63088-CP	56	SCR, #8-15 x 3/4, PAN HD, XREC,TYPE A, STL, BLK ZINC
8	63054-CP	8	SCR, #8-15 x 5/8, PAN HD, XREC,TYPE A, STL, BLK ZINC
9	28334	8	FOOT, ALIGNING, FEMALE
10	28333	8	FOOT, ALIGNING, MALE
11	534735	2	LABEL, WIRING, XDS
12	84637	1	ENCLOSURE S/A, XDS, PAINTED
13	L 607214	32	SCR, #10-24 x 7/8, PAN HD, XREC, STL
14	28348	2	TAPE, FOAM, CLOSED CELL, .50 x .125 THK. x 6.7 LF
15	63254-CP	8	SCR, #6-19 x 3/4, HEX WSHR HD, SLTD, BLNT
16	17307	2	CONNECTOR, NEUTRIK, CHASSIS, 8-PIN, NLBMPR
17	84645	1	PANEL S/A, INPUT, XDS
18	63075-CP	8	SCR, #8-15 x 3/4, OVL HD, XREC, TYPE A, STL
19	28347	1	TAPE, FOAM, CLOSED CELL, .50 x .063 THK. x 2.1 LF