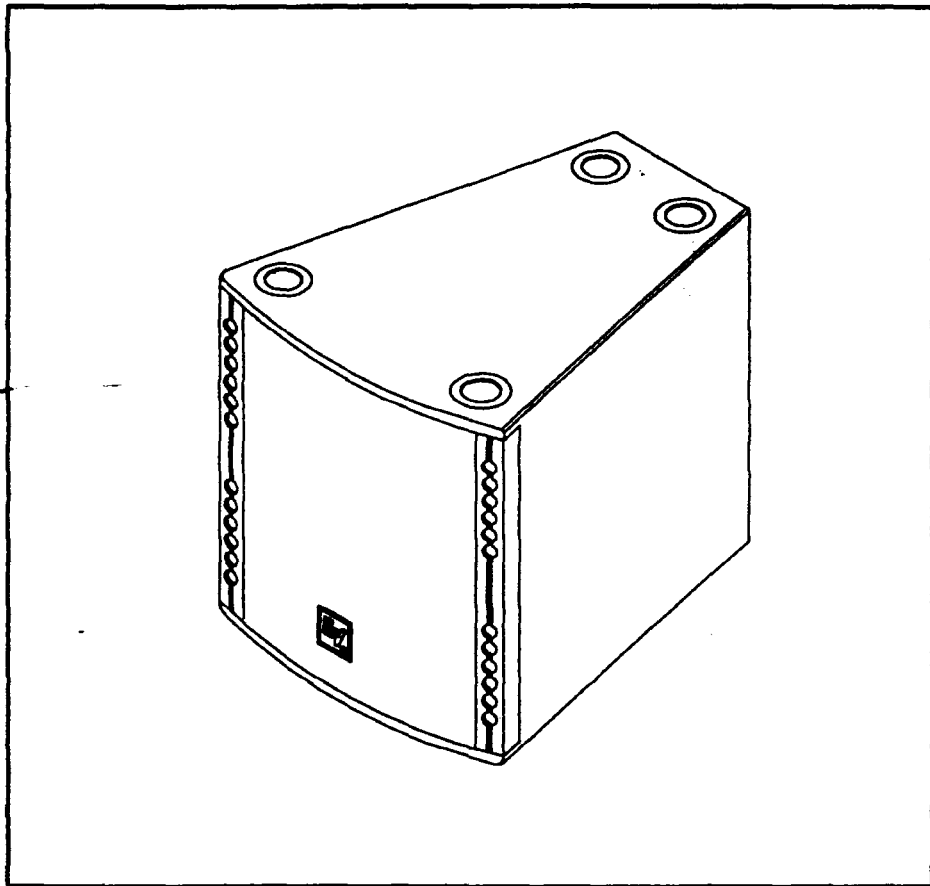




Electro-Voice®
A Division of TELEX/EVI Audio
600 Cecil Street
Buchanan, Michigan 49107
Phone: 616-695-6831
FAX: 616-695-4743

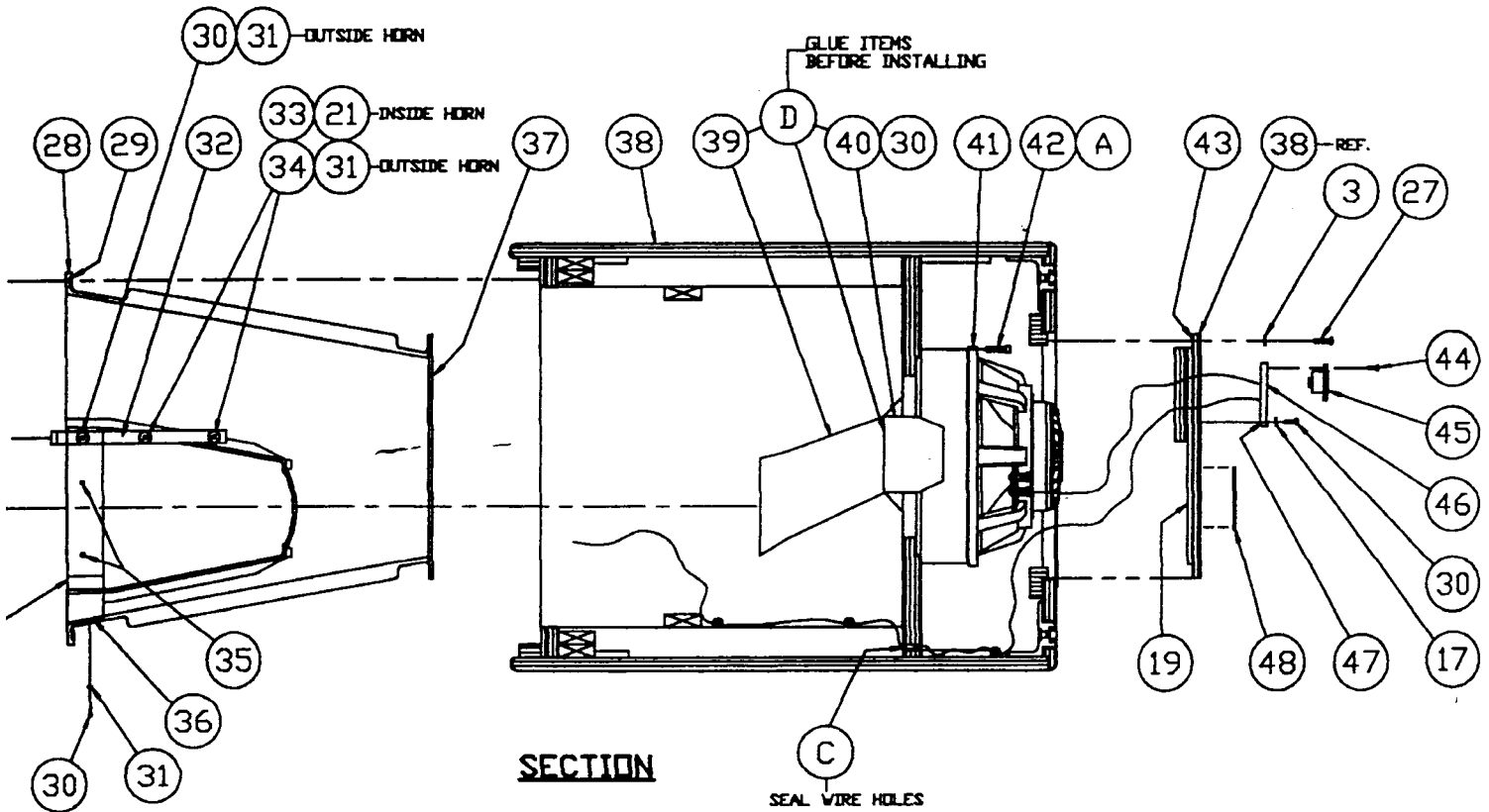
SERVICE DATA

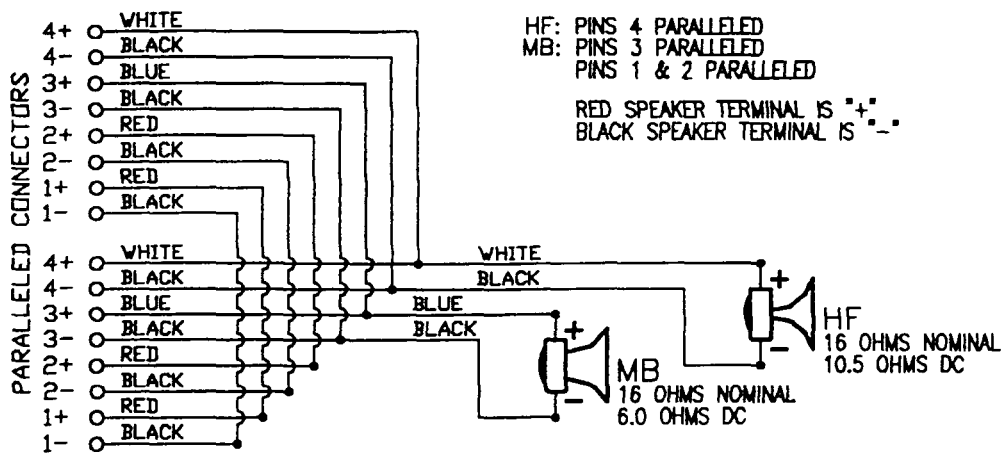
XCN (1144-3020)



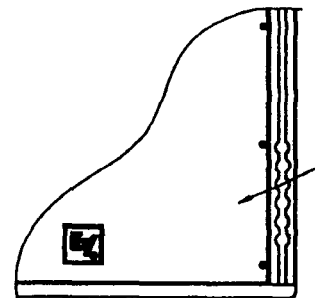
ADHESIVES

ITEM	PART NO.	DESCRIPTION
A	97282	LOCTITE #242
B	97498	ADH, CAULK, BLACK VINYL, GLOUCESTER "PHENOSEAL"
C	97273	HOT MELT #1942
D	97512	ADH, URETHANE SEALANT, BOSTIK # 1100FS

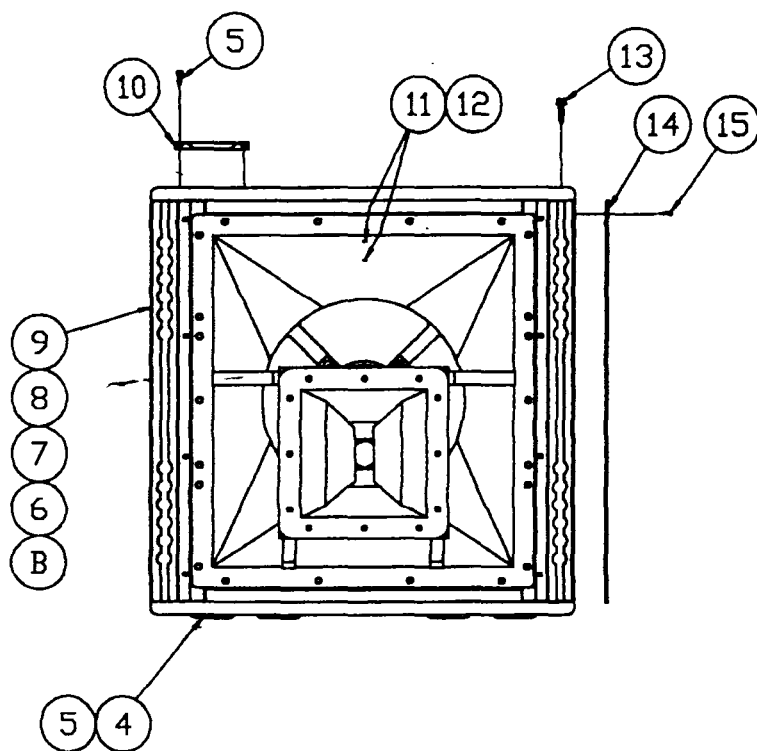




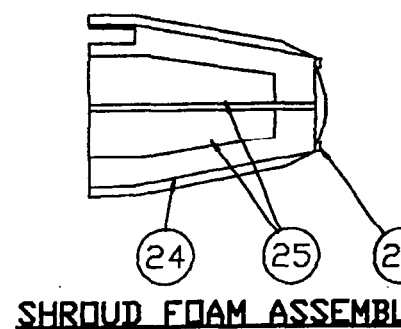
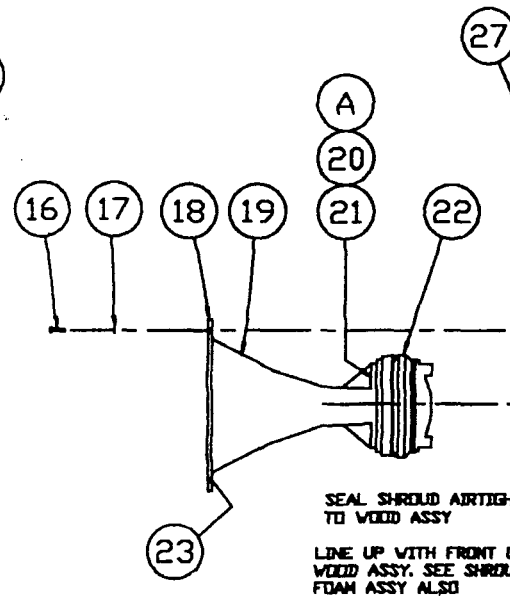
WIRING DIAGRAM



FRONT VIEW with GRILL



FRONT VIEW W/O GRILLE



PARTS LIST

QUANTITIES SHOWN ARE FOR ONE COMPLETE UNIT

ITEM	PART NO.	QTY.	DESCRIPTION
1	84680	1	GRILLE S/A, X-ARRAY HALF SIZE
2	63372-CP	10	SCR, #10-24 x 1/2, PAN HD, XREC, STL
3	38809	34	WASHER, .50 OD x .188 ID x .063 T, FLT, BLK NYLON
4	28333	4	FOOT, ALIGNING, MALE
5	63088-CP	32	SCR, #8-15 x 3/4, PAN HD, XREC, TYPE A, STL, BLK ZINC
6	B 73601	2	EXTRUSION, ALUM, RIGGING TRACK, FRONT, 21.98" LG.
7	63136-BX	8	SCR, 5/16-18 x 1 1/4, FLT HD, HEX SKT, GR 8
8	38878	8	WASHER, .688 x .065 T, FLT, STL, ZINC
9	20434-CL	8	NUT, 5/16-18, HEX, ELASTIC STOP
10	28334	4	FOOT, ALIGNING, FEMALE
11	63119-CP	2	SCR, #8-16 x 1 3/4, FLT HD, XREC, TYPE AB, STL
12	38768	2	WASHER, #8 C'SUNK, FINISHING, BLK NYLON
13	63363-CP	4	SCR, 3/8-16 x 1 1/4, HEX WSHR HD, TAPPING, TYPE F, STL
14	B 11664	2	PLASTIC, EXTRUSION, TRIM, 22.01" LG.
15	63364-CP	12	SCR, #8-32 x 1/2, PAN HD, TAPPING, TYPE F, STL
16	63366-CP	12	SCR, #8-32 x 3/4, TRUSS HD, XREC, STL
17	38865	20	WASHER, .375 OD x .171 ID x .032 T, FLT, BLK NYLON
18	84257	1	HORN S/A, HPS-64, 60 x 40, SINGLE
19	534481	2	LABEL, WIRING, XN
20	63349-CP	4	SCR, 1/4-20 x 1 1/4, HEX SKT HD, CAP
21	38843	8	WASHER, .562 OD x .250 ID x .065 T, FLAT, STL, BLK ZINC
22	827-2973	1	ND5-16, NEO 3" DIA, 1.4" EXIT 16 OHM, SYSTEM
23	28347	1	TAPE, FOAM, CLOSED CELL, .50 x .063 THK. x 3.1 LF
24	73603	1	SHROUD, HF, STRAIGHT
25	73738	4	FOAM, ACOUSTIC ABSORBER
26	28350	1	TAPE, FOAM, CLOSED CELL, .50 x .50 T x 2.0 LF
27	L 607214-CP	24	SCR, #10-24 x 7/8, PAN HD, XREC, STL
28	84430	1	HORN S/A, MB 60 x 40, SINGLE
29	28348	1	TAPE, FOAM, CLOSED CELL, .50 x .125 THK. x 6.5 LF
30	63116-CP	16	SCR, #8-16 x 1", TRS HD, TYPE II XREC, TYPE AB, STL
31	38549	8	WASHER, 1 1/8 OD x 9/32 ID x .062 T
32	28347	2	TAPE, FOAM, CLOSED CELL, .50 x .063 THK. x 10 IN.
33	20637-CL	4	NUT, #10-24, HEX, NYLON LOCKING
34	63377-AE	4	SCR, #10-24 x 2", PAN HD, XREC, STL
35	63344-CP	8	SCR, #8-15 x 3/4, TRS HD, TYPE AB, STL
36	28348	2	TAPE, FOAM, CLOSED CELL, .50 x .125 THK. x 2 IN.
37	28349	1	TAPE, FOAM, CLOSED CELL, .50 x .063 THK x 3.2 LF
38	84679	1	ENCLOSURE, XCN
39	73592	1	TUBE, PHASE PLUG
40	73591	1	PHASE PLUG, CUP
41	812-2858	1	LOUDSPEAKER, 12" FOR SYSTEM, ND12A
42	63179-CP	4	SCR, 1/4-20 x 1 1/2, HEX SKT HD, CAP
43	28348	1	TAPE, FOAM, CLOSED CELL, .50 x .125 THK. x 4.1 LF
44	63254-CP	8	SCR, #6-19 x 3/4, HEX WSHR HD, SLTD, BLNT
45	17307	2	CONNECTOR, NEUTRIK, CHASSIS, 8-PIN, NLBMPR
46	84682	1	PANEL S/A, INPUT, 2 X 8 XCN
47	28347	1	TAPE, FOAM, CLOSED CELL, .50 x .063 THK. x 1.9 LF
48	534476	1	LABEL, WARNING