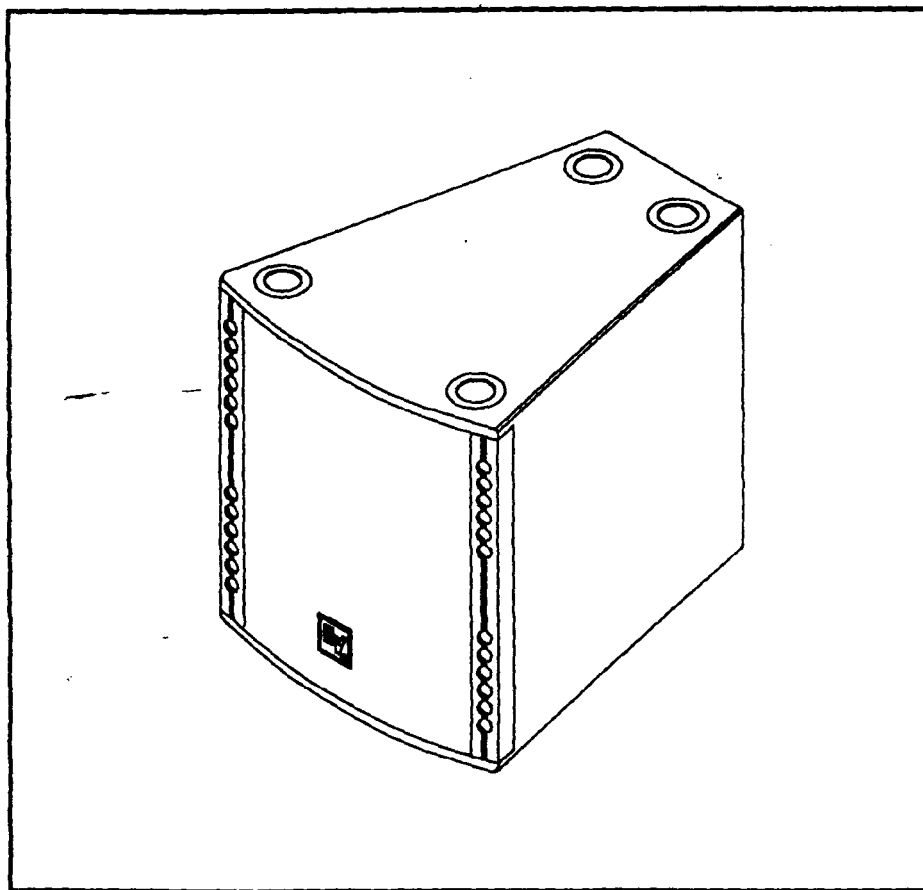




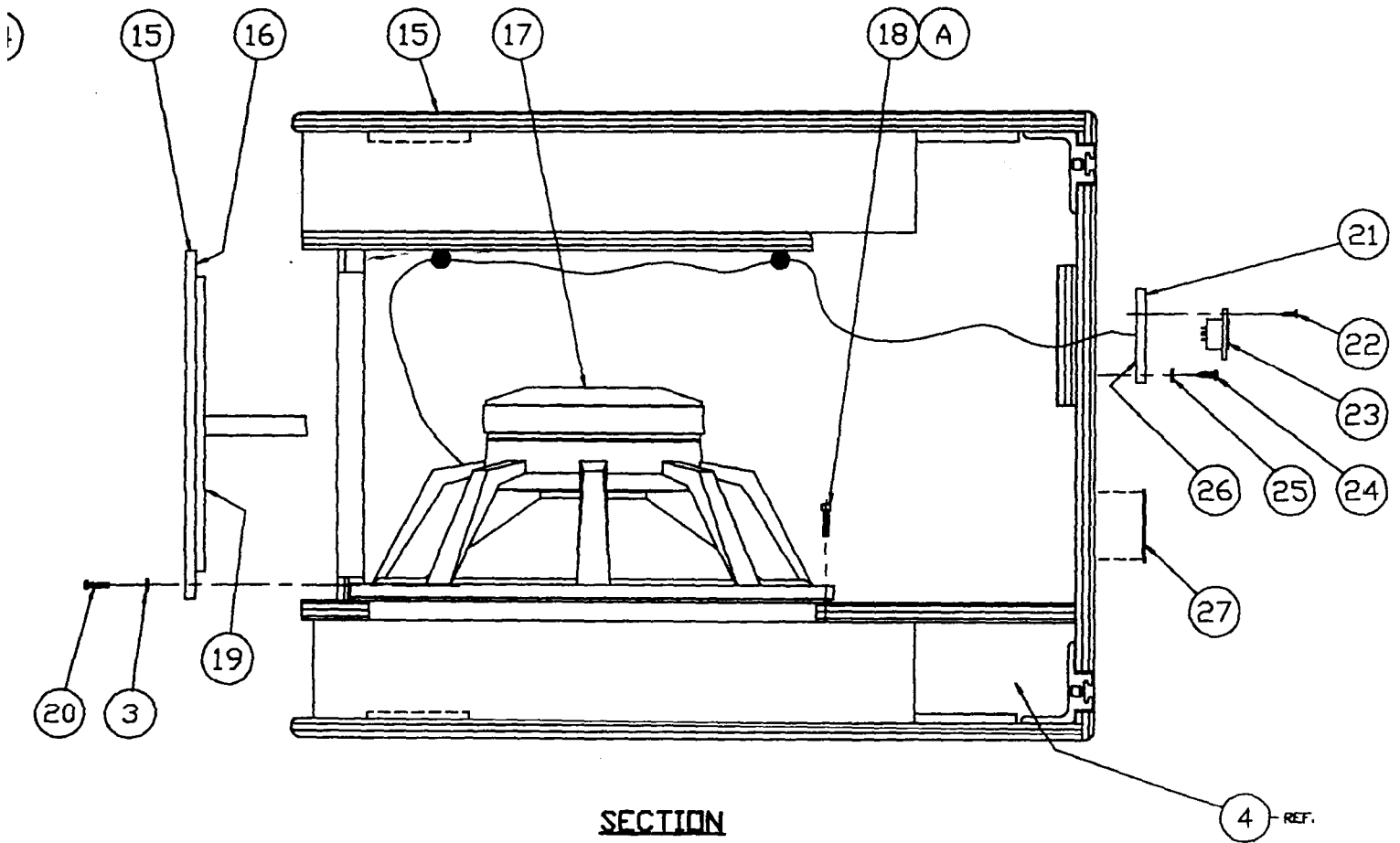
Electro-Voice®
A Division of TELEX/EVI Audio
600 Cecil Street
Buchanan, Michigan 49107
Phone: 616-695-6831
FAX: 616-695-4743

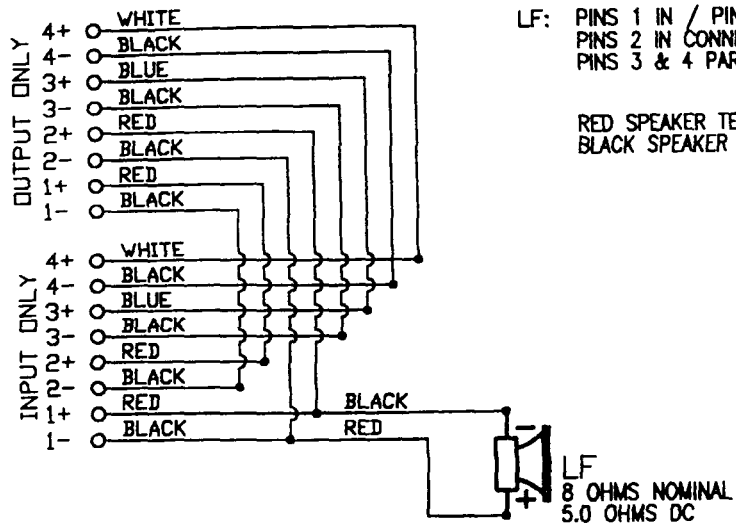
SERVICE DATA

XCB (1143-3019)



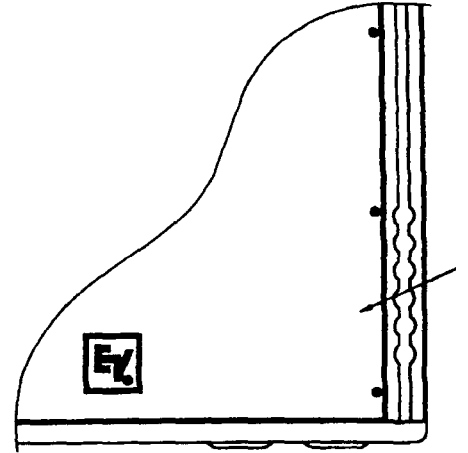
ADHESIVES		
ITEM	PART NO.	DESCRIPTION
A	97282	LOCTITE #242
B	97498	ADH, CAULK, BLACK VINYL, GLOUCESTER "PHENOSEAL"





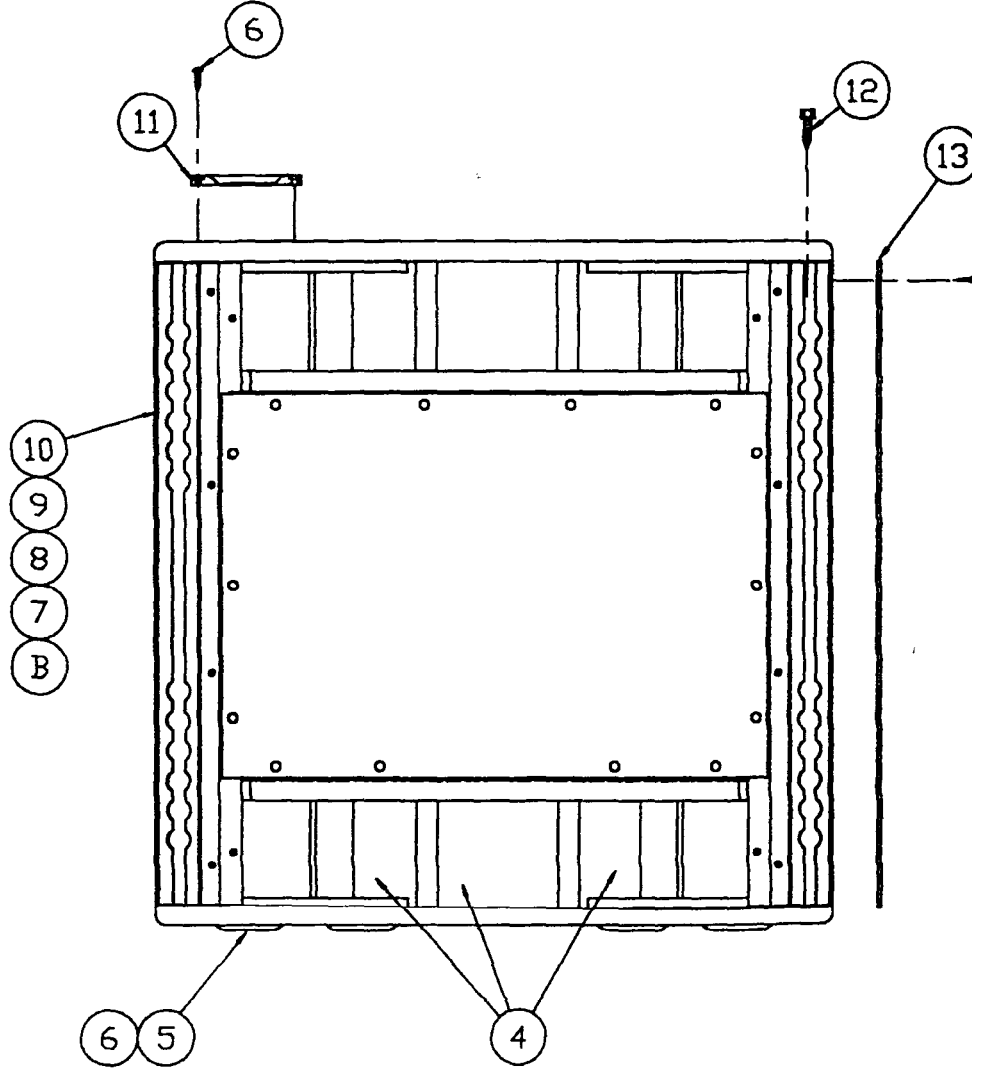
LF: PINS 1 IN / PINS 2 OUT
 PINS 2 IN CONNECTED TO PINS 1 OUT
 PINS 3 & 4 PARALLELED

RED SPEAKER TERMINAL IS "+"
 BLACK SPEAKER TERMINAL IS "-"



WIRING DIAGRAM

FRONT VIEW with GRILL



FRONT VIEW W/O GRILLE

PARTS LIST

QUANTITIES SHOWN ARE FOR ONE COMPLETE UNIT

ITEM	PART NO.	QTY.	DESCRIPTION
1	84680	1	GRILLE S/A, X-ARRAY HALF SIZE
2	63372	10	SCR, #10-24 x 1/2, PAN HD, XREC, STL
3	38809	24	WASHER, .50 OD x .188 ID x .063 T, FLT, BLK NYLON
4	73408	3	FOAM, ABSORBER, 7.0 x 7.0 x 4.5
5	28333	4	FOOT, ALIGNING, MALE
6	63088-CP	32	SCR, #8-15 x 3/4, PAN HD, XREC, TYPE A, STL, BLK ZINC
7	B 73601	2	EXTRUSION, ALUM, RIGGING TRACK, FRONT, 21.98" LG.
8	63136-BX	8	SCR, 5/16-18 x 1 1/4, FLT HD, HEX SKT, GR 8
9	38878-AE	8	WASHER, .688 x .065 T, FLT, STL, ZINC
10	20434	8	NUT, 5/16-18, HEX, ELASTIC STOP
11	28334	4	FOOT, ALIGNING, FEMALE
12	63363-CP	4	SCR, 3/8-16 x 1 1/4, HEX WSHR HD, TAPPING, TYPE F, STL
13	B 11664	2	PLASTIC, EXTRUSION, TRIM, 22.01" LG.
14	63364-CP	12	SCR, #8-32 x 1/2, PAN HD, TAPPING, TYPE F, STL
15	84676	1	ENCLOSURE, XCB
16	28348	1	TAPE, FOAM, CLOSED CELL, .50 x .125 THK. x 5.2 LF
17	818-2883	1	EVX-180B LOUDSPEAKER SYSTEM
18	63349-CP	8	SCR, 1/4-20 x 1 1/4, HEX SKT HD, CAP
19	534824	1	LABEL, WIRING, XCB
20	L 607214-CP	14	SCR, #10-24 x 7/8, PAN HD, XREC, STL
21	84936	1	PANEL S/A, INPUT, XCB
22	63378-CP	8	SCR, #6-18 x 3/4, HEX WSHR HD, IND, SLTD, TYPE A
23	17307	2	CONNECTOR, NEUTRIK, CHASSIS, 8-PIN, NL8MPR
24	63116-CP	8	SCR, #8-15 x 1", TRUSS HD, TYPE II, XREC, TYPE AB, STL
25	38865	8	WASHER, .375 OD x .171 ID x .032 T, BLK NYLON
26	28347	1	TAPE, FOAM, CLOSED CELL, .50 x .063 THK. x 1.9 LF
27	534476	1	LABEL, WARNING