

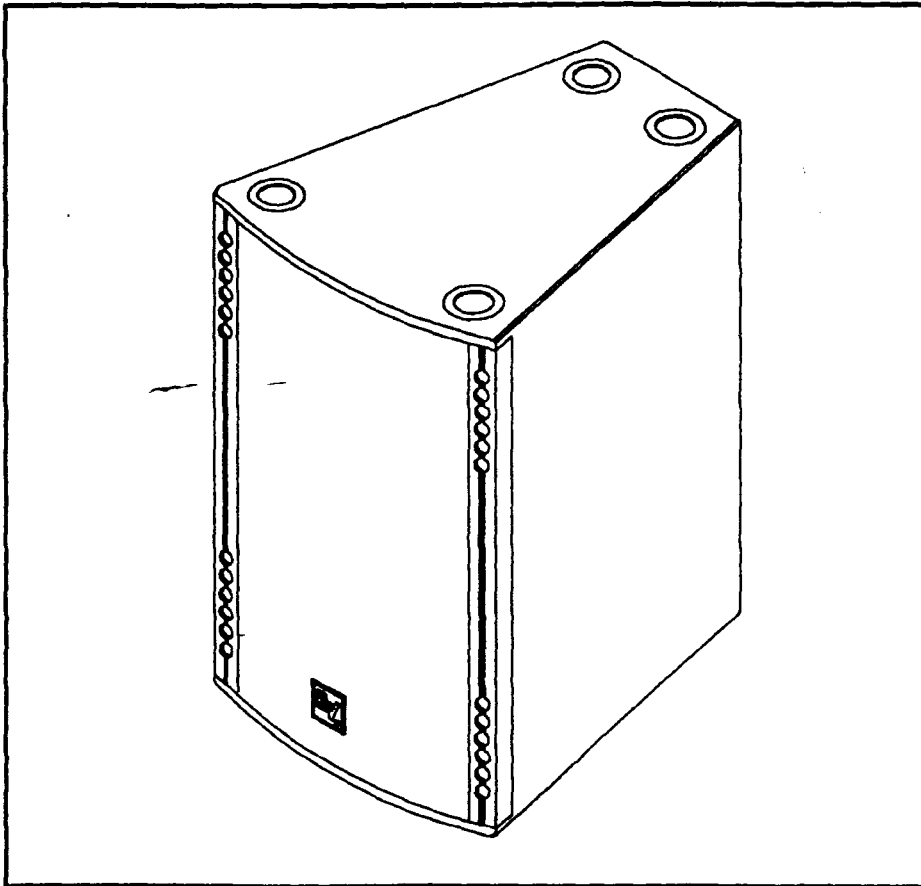


**Electro-Voice®**  
A Division of TELEX/EVI Audio  
600 Cecil Street  
Buchanan, Michigan 49107  
Phone: 616-695-6831  
FAX: 616-695-4743

# SERVICE DATA

# XB

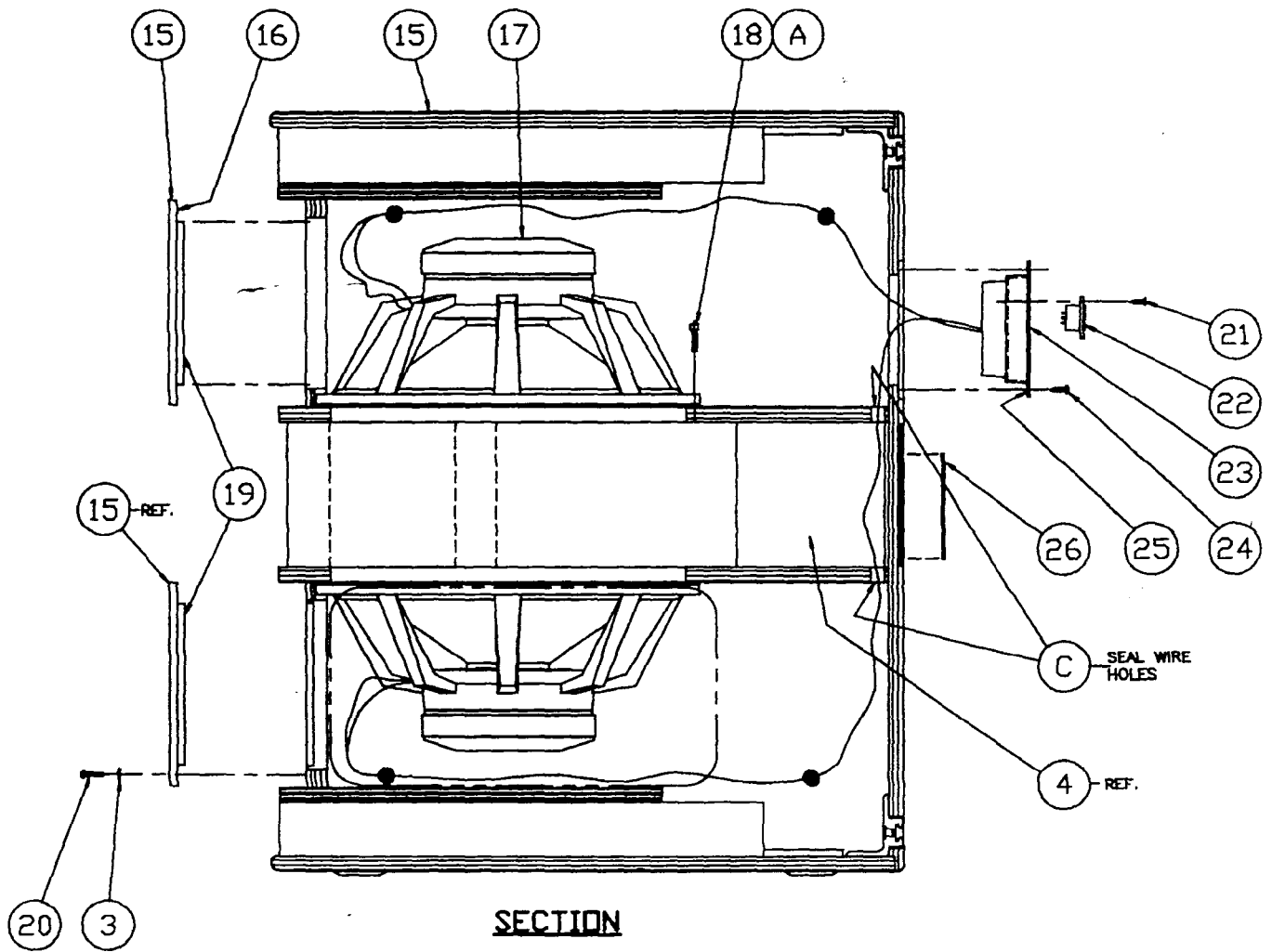
(1132-2904)

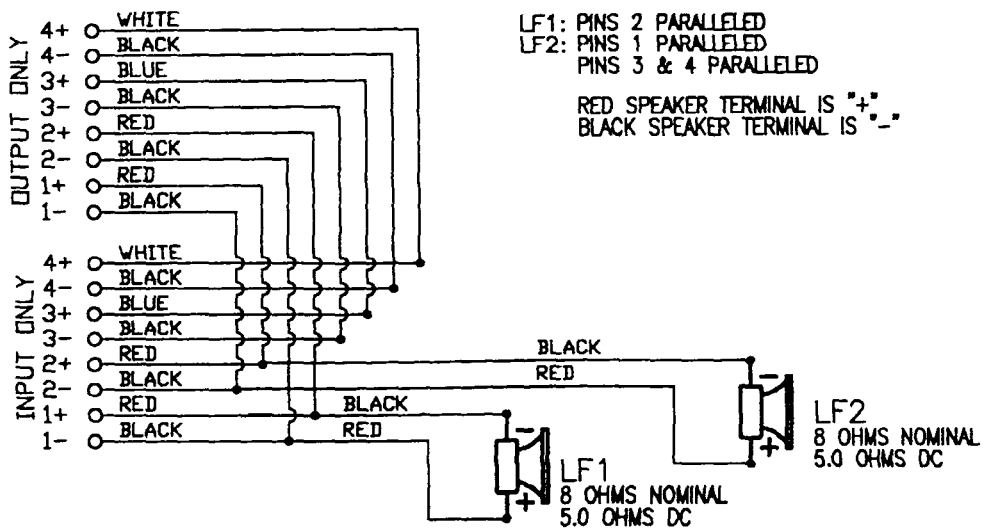


1  
2  
3

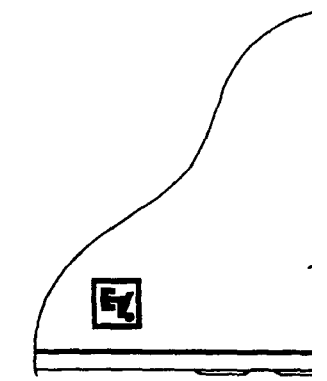
E

ADHESIVES		
ITEM	PART NO.	DESCRIPTION
A	97282	LOCTITE #242
B	97498	ADH, CAULK, BLACK VINYL, GLOUCESTER "PHENOSEAL"
C	97273	HOT MELT #1942

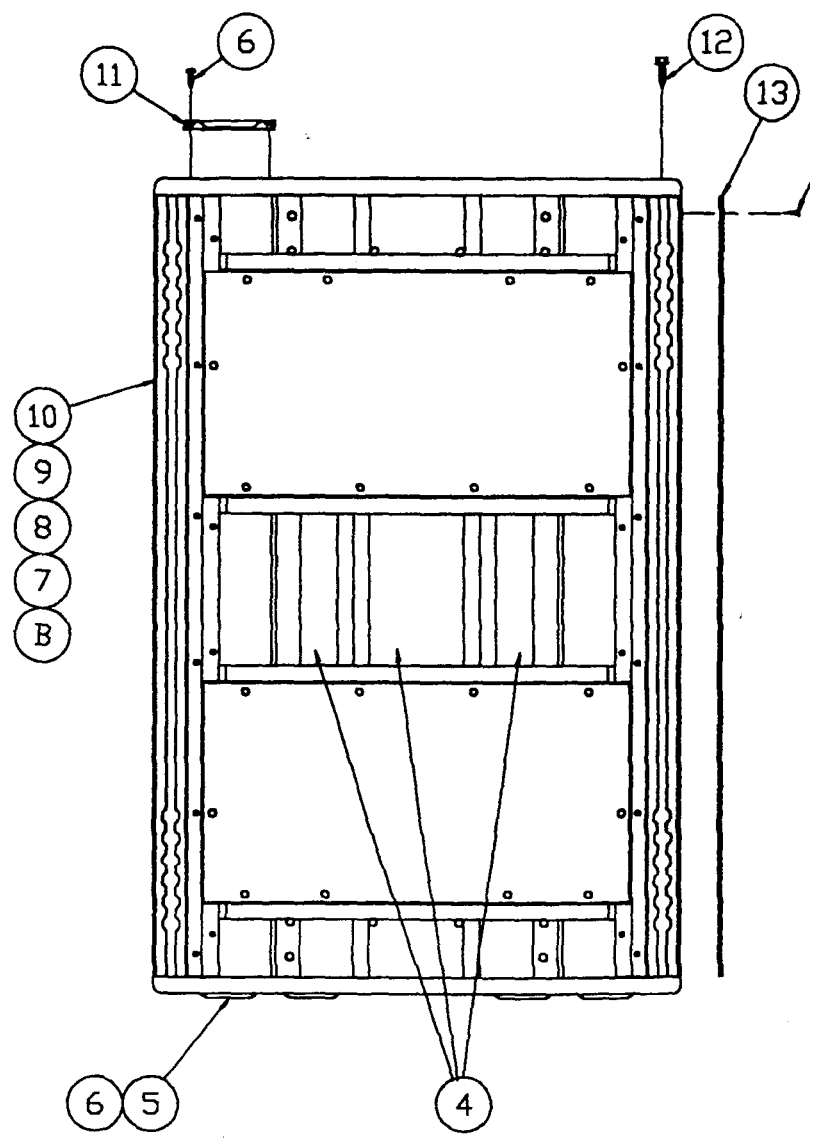




**WIRING DIAGRAM**



**FRONT VIEW with**



**FRONT VIEW W/O GRILLE**

## PARTS LIST

QUANTITIES SHOWN ARE FOR ONE COMPLETE UNIT

ITEM	PART NO.	QTY.	DESCRIPTION
1	84456	1	GRILLE S/A, X-ARRAY FULL SIZE
2	63372-CP	12	SCR, #10-24 x 1/2, PAN HD, XREC, STL
3	38809	32	WASHER, .50 OD x .188 ID x .063 T, FLT, BLK NYLON
4	73408	3	FOAM, ABSORBER, 7.0 x 7.0 x 4.5
5	28333	4	FOOT, ALIGNING, MALE
6	63088-CP	32	SCR, #8-15 x 3/4, PAN HD, XREC, TYPE A, STL, BLK ZINC
7	A 73601	2	EXTRUSION, ALUM, RIGGING TRACK, FRONT, 34.55" LG.
8	63136-BX	10	SCR, 5/16-18 x 1 1/4, FLT HD, HEX SKT, GR 8
9	38878	10	WASHER, .688 x .065 T, FLT, STL, ZINC
10	20434-CL	10	NUT, 5/16-18, HEX, ELASTIC STOP
11	28334	4	FOOT, ALIGNING, FEMALE
12	63363-CP	4	SCR, 3/8-16 x 1 1/4, HEX WSHR HD, TAPPING, TYPE F, STL
13	A 11664	2	PLASTIC, EXTRUSION, TRIM, 34.55" LG.
14	63364-CP	18	SCR, #8-32 x 1/2, PAN HD, TAPPING, TYPE F, STL
15	84413	1	ENCLOSURE, XB
16	28348	2	TAPE, FOAM, CLOSED CELL, .50 x .125 THK. x 4.8 LF
17	818-2883	2	EVX-180B LOUDSPEAKER SYSTEM
18	63349-CP	16	SCR, 1/4-20 x 1 1/4, HEX SKT HD, CAP
19	534482	2	LABEL, WIRING, XB
20	L 607214-CP	20	SCR, #10-24 x 7/8, PAN HD, XREC, STL
21	63254-CP	8	SCR, #6-19 x 3/4, HEX WSHR HD, SLTD, BLNT
22	17307	2	CONNECTOR, NEUTRIK, CHASSIS, 8-PIN, NLBMPR
23	84626	1	PANEL S/A, INPUT, XB
24	63075-CP	8	SCR, #8-15 x 3/4, OVL HD, XREC, TYPE A, STL
25	28347	1	TAPE, FOAM, CLOSED CELL, .50 x .063 THK. x 2.1 LF
26	534476	1	LABEL, WARNING