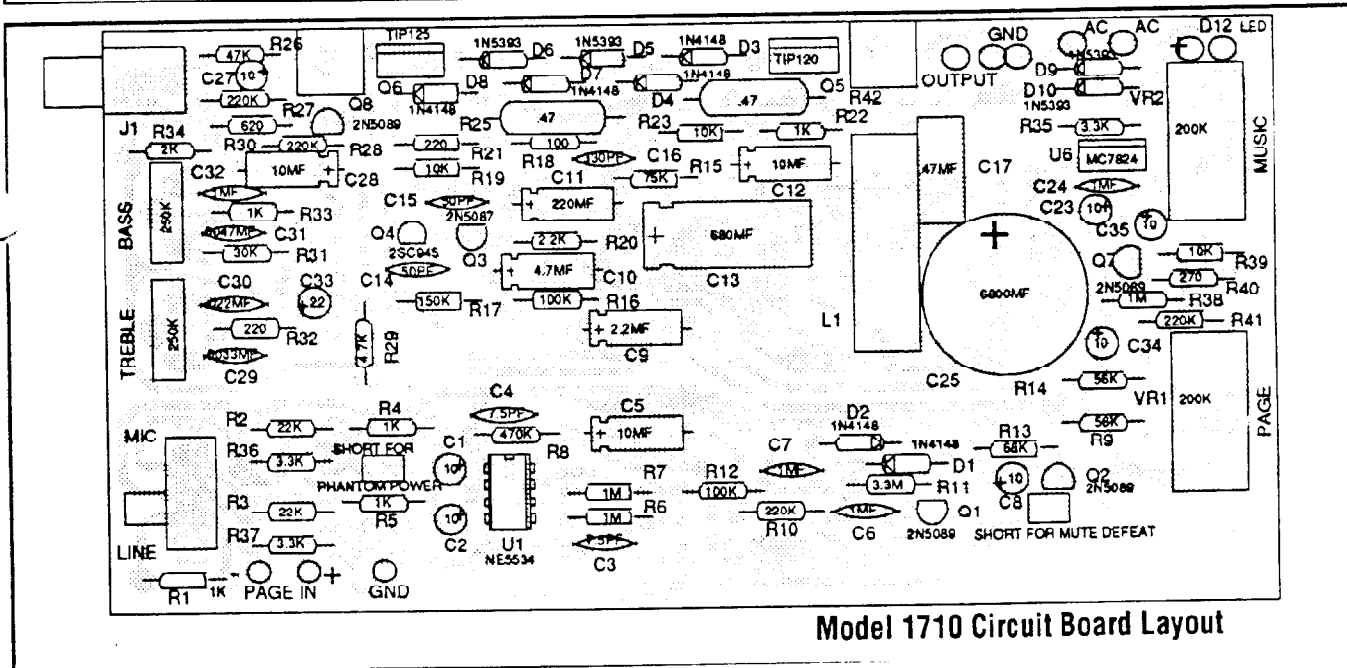


Model 1710 Circuit Schematic Diagram



Model 1710 Circuit Board Layout