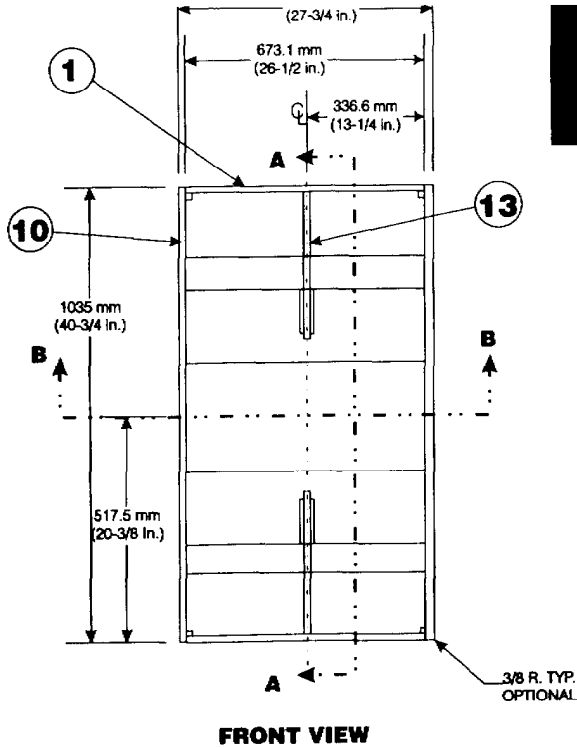


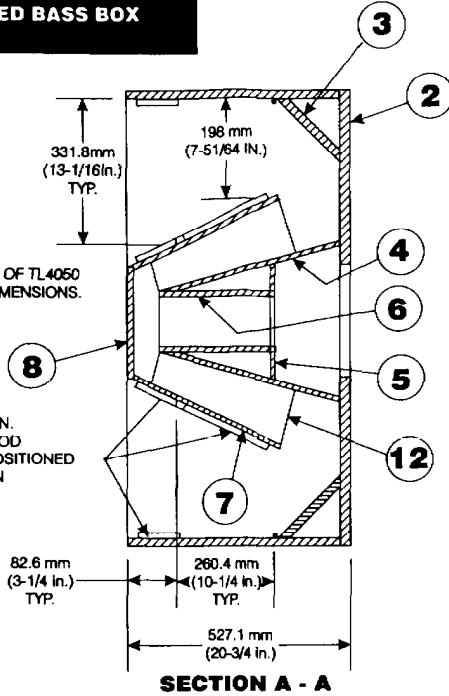
TL5050

BUILDERS PLANS

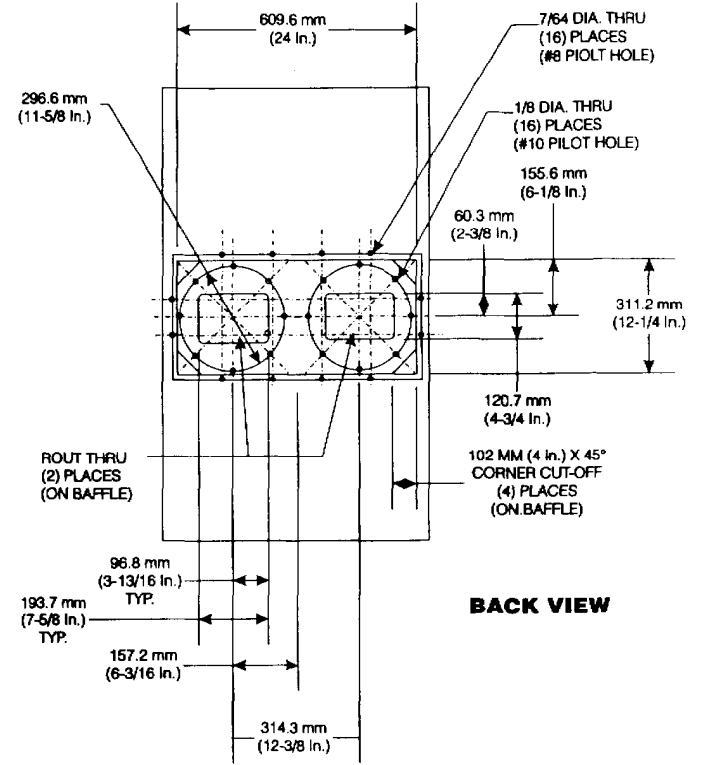
(2) EVM - 12L, HORN-LOADED BASS BOX



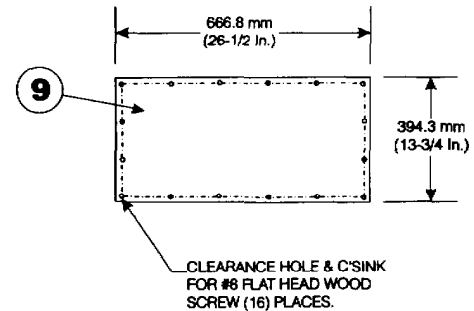
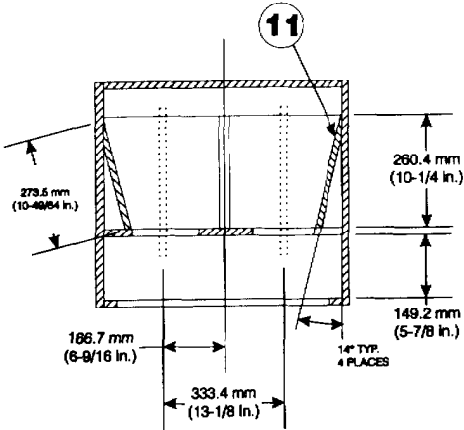
NOTE:
SEE SECTION B - B OF TL4050
FOR COMPLETE DIMENSIONS.



- NOTES:
- 1- ALL JOINTS TO BE SECURELY GLUED.
 - 2- ALL AIR CHAMBER JOINTS MUST BE AIR TIGHT.
 - 3- ALL PANELS TO BE 1/2 IN. THICK VOID FREE CORE PLYWOOD.
 - 4- TOLERANCE: .8 mm (1/32 IN.).
 - 5- AN ADDITIONAL SPEAKER GASKET (PART NUMBER 37320) IS REQUIRED FOR CLEARANCE BETWEEN BAFFLE AND SPEAKER.



ACCESS PANEL



Item	Description	Qty.	5050
1	Top & Bottom Panels	2	26-1/2 x 20
2	Back Panel	1	40-3/4 x 27-3/4
3	Corner Brace	2	26-1/2 x 6
4	Air Chamber (top & bottom)	2	26-1/2 x 17-5/8
5	Baffle	1	12-1/4 x 26-1/2
6	Horn Throat (Top & Bottom)	2	26-1/2 x 10-1/4
7	Outer Horn Throat	2	26-1/2 x 15-7/8
8	Horn End Cap	1	26-1/2 x 10-1/2
9	Access Panel	1	26-1/2 x 13-3/4
10	Side Panel	2	40-3/4 x 20
11	Air Chamber Side Panels	2	12-7/8 x 4-3/4
12	Horn Brace	4	4-11/16 x 13-7/16
13	Horn Brace (Center)	2	13 x 10-1/4

ALL DIMENSIONS SHOWN IN CENTIMETERS AND (INCHES).

FORM number 2270 - 247 LITHO IN U.S.A.



ElectroVoice

600 CECIL STREET, BUCHANAN, MICHIGAN 49107