

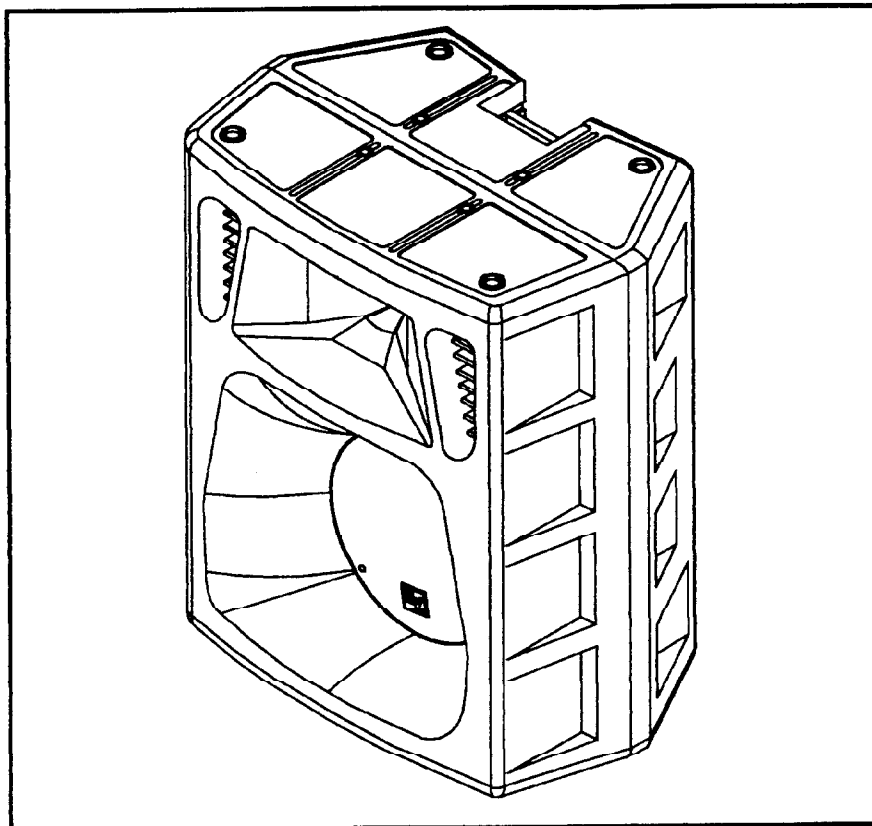


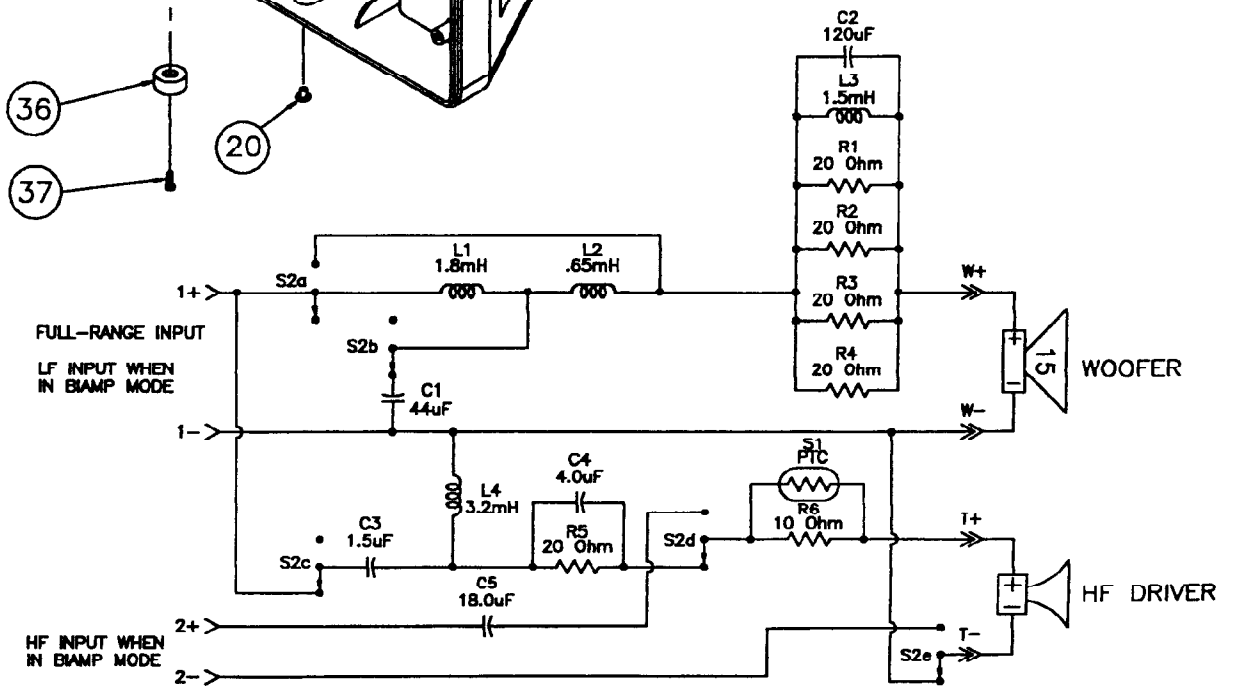
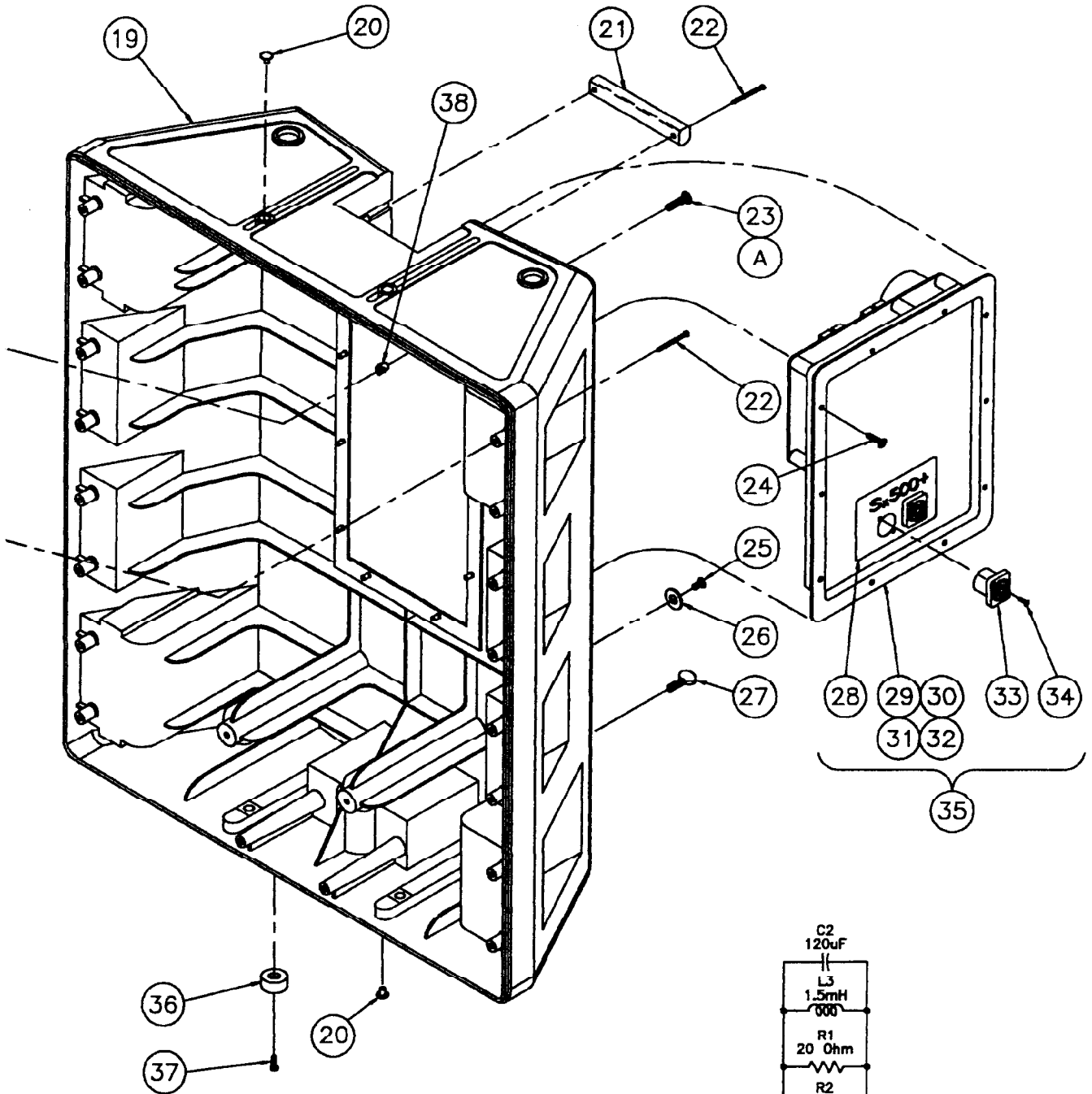
**Electro-Voice®**  
TELEX/EVI Audio  
600 Cecil Street  
Buchanan, Michigan 49107  
Phone: 616-695-6831  
FAX: 616-695-4743

# SERVICE DATA

## Sx500+

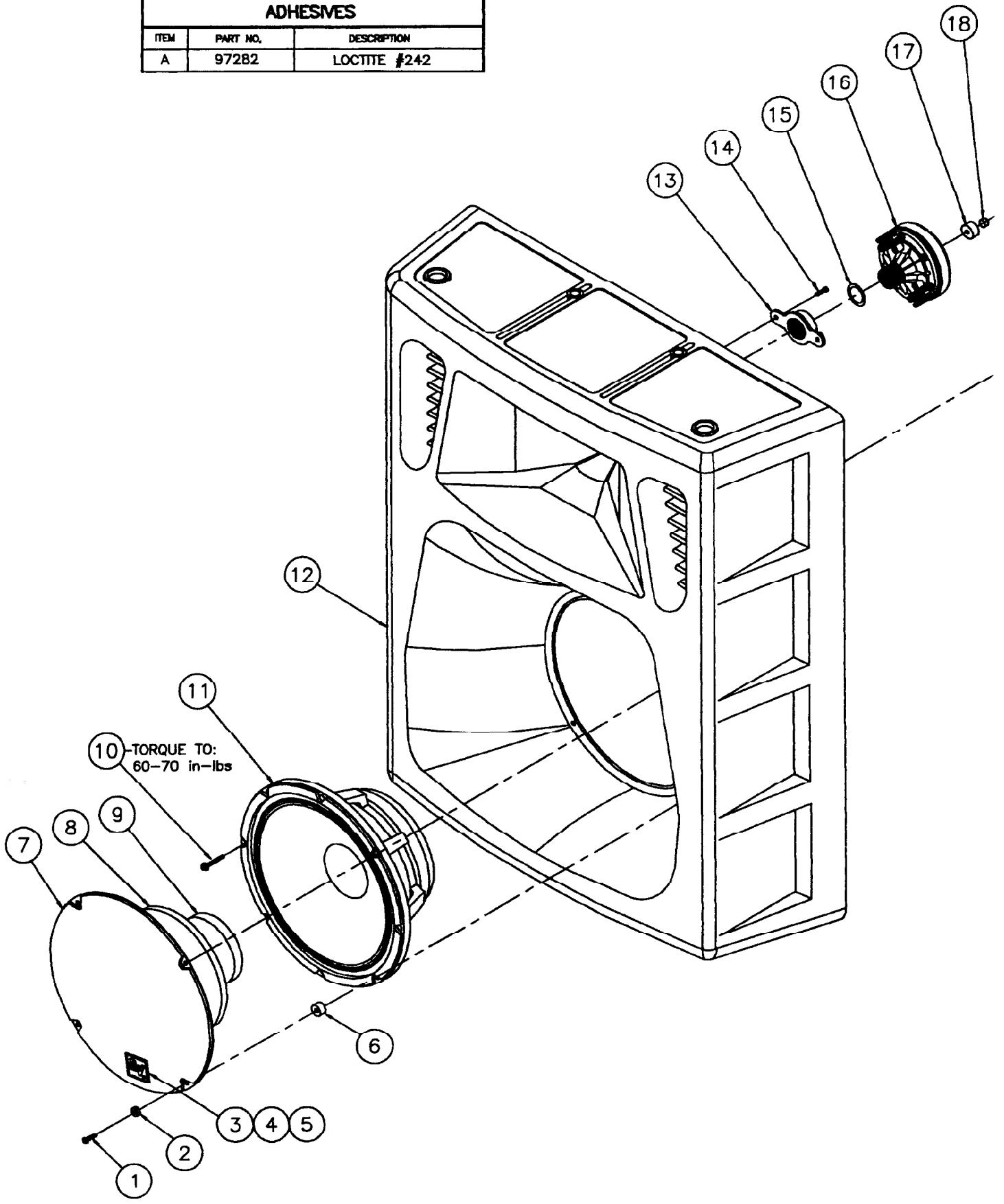
(1114-3240)





**SCHMATIC DIAGRAM**

ADHESIVES		
ITEM	PART NO.	DESCRIPTION
A	97282	LOCTITE #242



# PARTS LIST

QUANTITIES SHOWN ARE FOR ONE COMPLETE UNIT

ITEM	PART NO.	QTY.	DESCRIPTION
1	63361 CP	4	SCREW, M6 x 30mm, PAN HD., PHILLIPS
2	38875	4	WASHER, NYLON, .257 ID x .5 OD x .032 THK, BLK
3	49042	1	NAMEPLATE, EV LOGO, 2 1/2 SQ., GOLD W/ STUD
4	19086	1	SPRING, SPIROL
5	20745 AE	1	NUT, PUSH, PALNUT PS125006
6	38876	4	WASHER, 60 D NEOPRENE, .25 ID x .75 OD x .25 T, BLK
7	73204	1	GRILLE
8	28339	1	FOAM, 9" DIA. x 1/2" THK.
9	28336	1	FOAM, 4 3/4" DIA. x 1" THK.
10	63286 DB	4	SCREW, M6 x 20mm, HEX SKT HD. CAP
11	815-2647	1	DL15SX, LOUDSPEAKER, 15 IN.
12	73060	1	BAFFLE, FRONT
13	A 20548	1	FLANGE, DRIVER MOUNT
14	63417 L AE	2	SCREW, #10-16 x 1 1/2, PAN HD., XREC, HI-LO
15	38701	1	GASKET, 1.3 O.D. x 0.94 I.D. x 1/16 THK. VELUTEX
16	834-2680	1	DRIVER
17	28261	1	FEET, RUBBER, 1.5 DIA. X .75 H, LEVEL #79-RW
18	20679	1	RING, CENTERING
19	74119	1	ENCLOSURE, REAR
20	20590	8	PLUG, HOLE
21	71490	3	HANDLE
22	63282 CP	24	SCREW, #10-16 x 2 IN. LG., PAN HD., PHILLIPS, HI-LO
23	B 610224 CP	1	SCREW, 1/4-20 x 1 1/2, RD. HD., XREC., STL, BLK ZINC
24	63360 CP	10	SCREW, #8-18 x 1", OVL HD., PHILLIPS, HI-LO
25	63283 CP	2	SCREW, #10-16 x 3/4, PAN HD., PHILLIPS, HI-LO
26	4097 CP	2	WASHER, FLAT, PLAIN, STL., 1/4 IN.
27	63287 CP	1	SCREW, 1/4-20 x 3/4, THUMB
28	535412	1	LABEL, INPUT
29	A 73064 HV	1	PANEL, INPUT
30	28347	1	TAPE, FOAM, CLOSED CELL, .50 x .063 THK. x 60 IN.
31	83850	1	CROSSOVER S/A
32	63358 AE	9	SCREW, #8-32 x 1/2, PAN HD., PHILLIPS, TAPTITE
33	17331	2	CONNECTOR, NEUTRIK, NL4MP
34	63376 CP	4	SCREW, #4-40 x 1/2, FLAT HD., PHILLIPS, TAPTITE
35	85385	1	PANEL, INPUT S/A (Sx500+) (INCLUDES ITEMS 28 THRU 34)
36	28308	4	FOOT, RUBBER
37	63284 CP	4	SCREW, #8-18 x 5/8 LG., PAN HD., PHILLIPS, HI-LO
38	20681	1	T-NUT, 1/4-20 x 7/16, STR, 4-PRONG, STAFAST #142074
CROSSOVER ITEM NO.'S		QTY.	DESCRIPTION
25	83850	1	CROSSOVER S/A. (Sx500)
C1	83850-C1	1	CAPACITOR, 44 uF, 250 V
C2	83850-C2	1	CAPACITOR, 120 uF, 100 V, LOW FREQUENCY, HIGH CURRENT
C3	83850-C3	1	CAPACITOR, 1.5 uF, 400 V
C4	83850-C4	1	CAPACITOR, 4.0 uF, 250 V
C5	83850-C5	1	CAPACITOR, 18 uF, 250 V
L1	83850-L1	1	INDUCTOR, 1.8 mH, DCR<0.5 ohms
L2	83850-L2	1	INDUCTOR, 0.65 mH, DCR<0.5 ohms
L3	83850-L3	1	INDUCTOR, 1.5 mH, DCR<0.5 ohms
L4	83850-L4	1	INDUCTOR, 3.2 mH, DCR<1.3 ohms
R1	83850-R1	1	RESISTOR, 20 ohms, 25 W
R2	83850-R2	1	RESISTOR, 20 ohms, 25 W
R3	83850-R3	1	RESISTOR, 20 ohms, 25 W
R4	83850-R4	1	RESISTOR, 20 ohms, 25 W
R5	46857	1	RESISTOR, 20 ohms, 20 W
R6	46855	1	RESISTOR, 10 Ohms, 20 W
S1	56208	1	POLY SWITCH, RXE-050