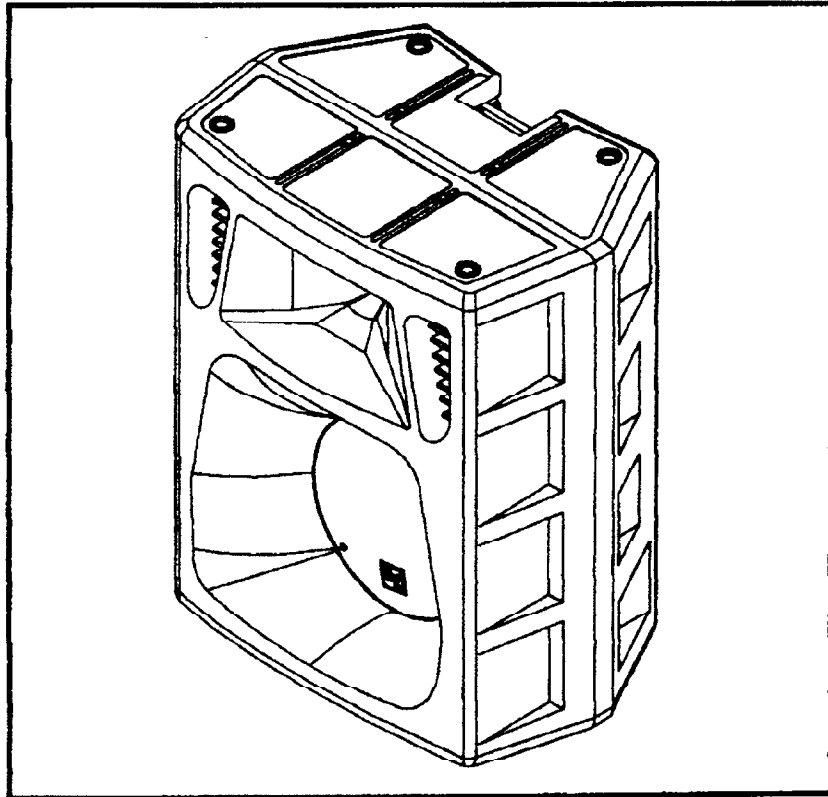


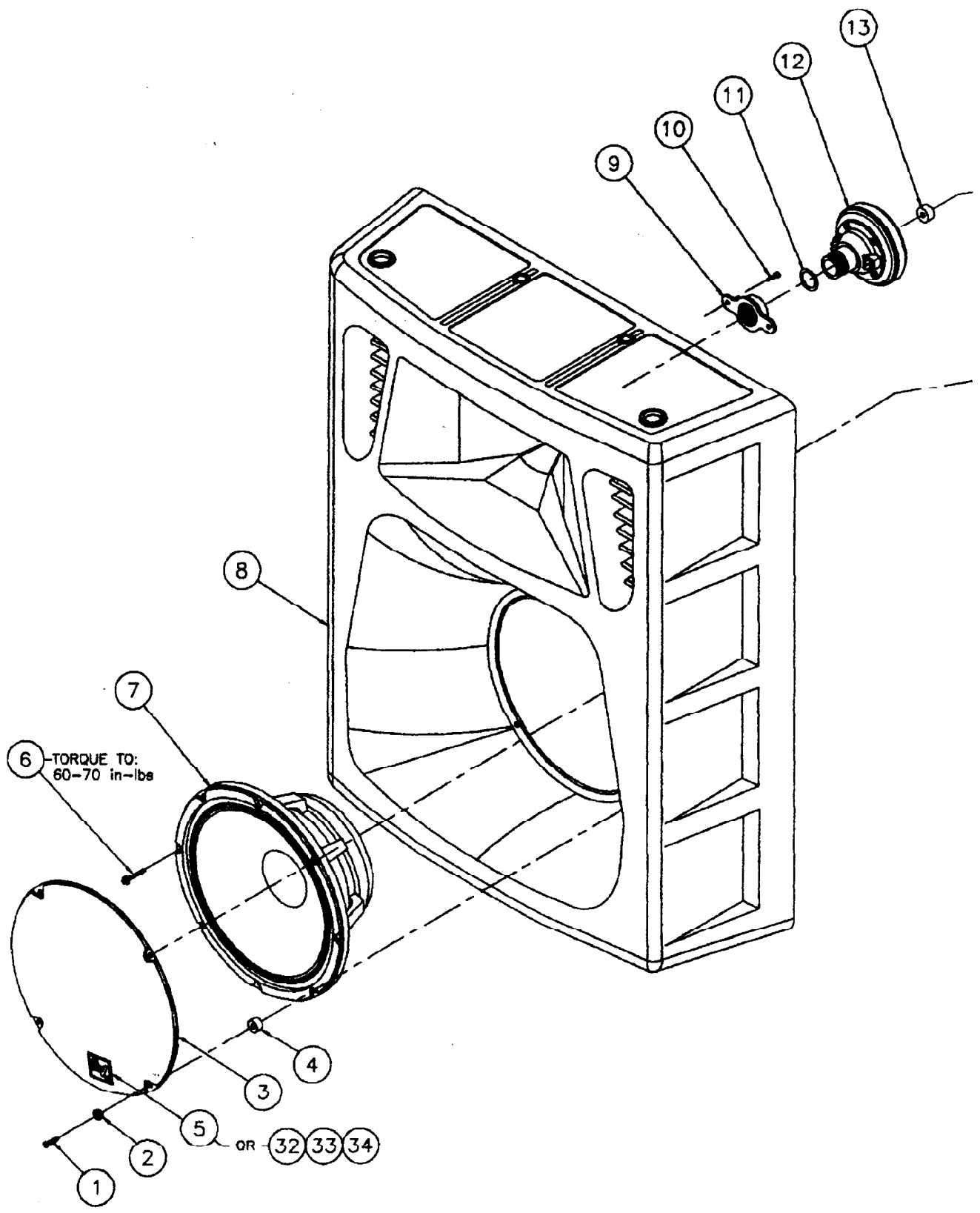


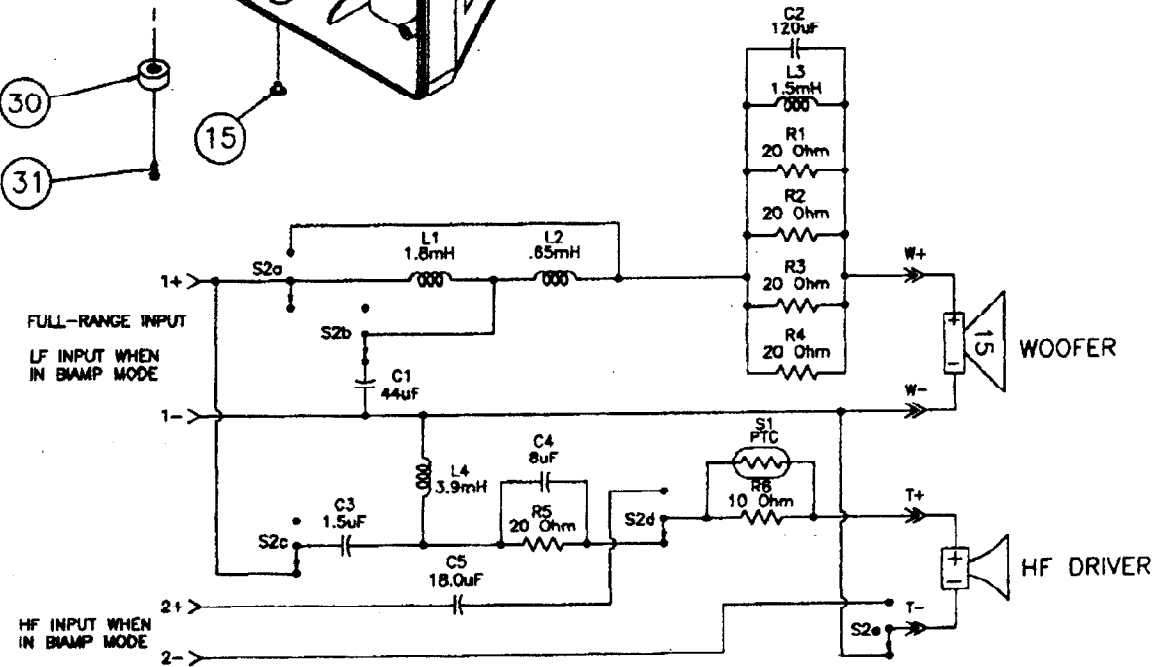
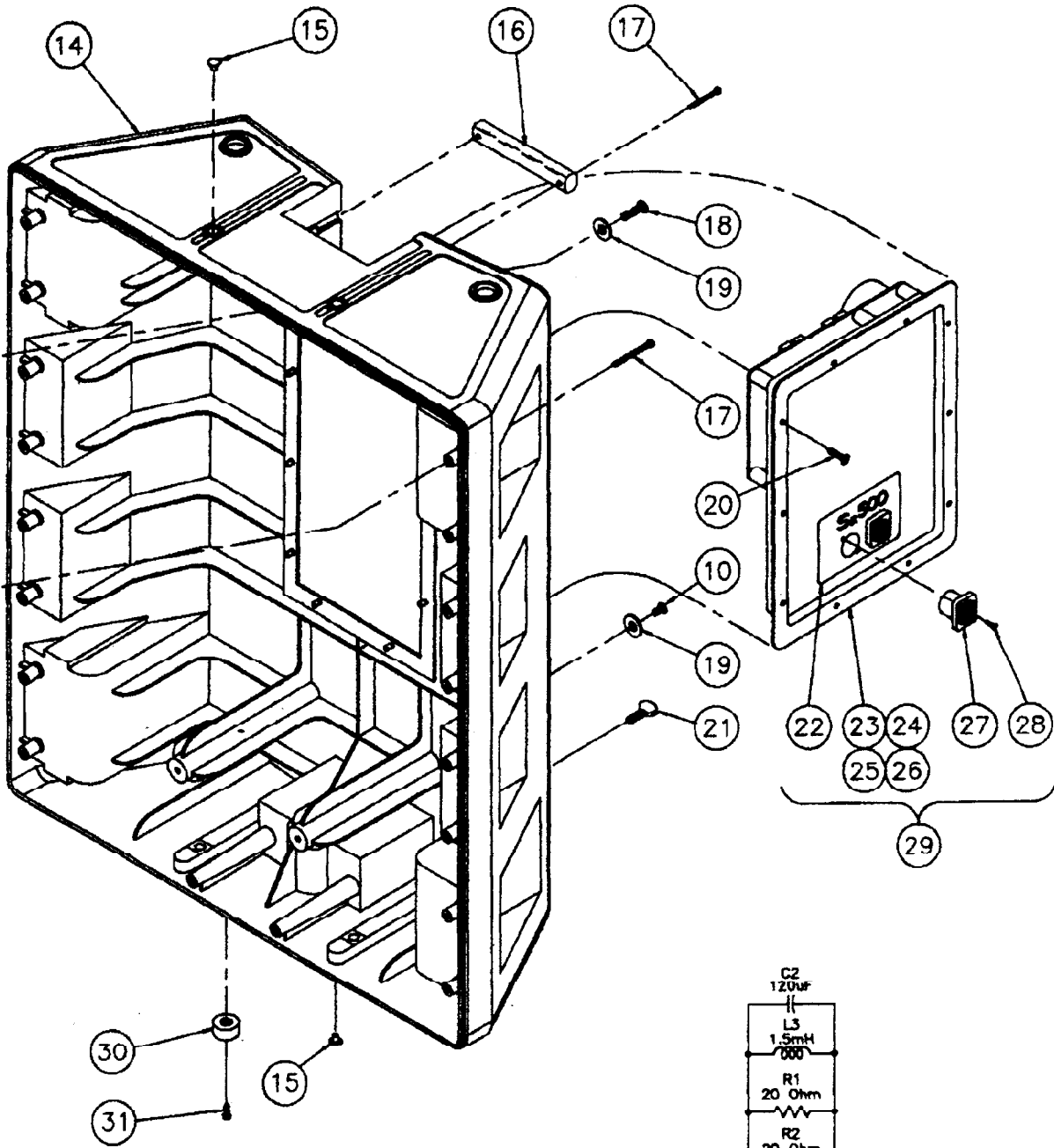
**Electro-Voice®**  
A Division of TELEX/EVI Audio  
600 Cecil Street  
Buchanan, Michigan 49107  
Phone: 616-695-6831  
FAX: 616-695-4743

# SERVICE DATA

## Sx500 (1114-2567)







**SCHEMATIC DIAGRAM**

# PARTS LIST

QUANTITIES SHOWN ARE FOR ONE COMPLETE UNIT

ITEM	PART NO.	QTY.	DESCRIPTION
1	63361 CP	4	SCREW, M6 x 30mm, PAN HD., PHILLIPS
2	38875	4	WASHER, NYLON, .257 ID x .5 OD x .032 THK, BLK
3	73204	1	GRILLE
4	38876	4	WASHER, 60 D NEOPRENE, .25 ID x .75 OD x .25 T, BLK
5	49040	1	NAMEPLATE, EV LOGO, 2 1/2 SQ., WHITE
6	63286 DB	4	SCREW, M6 x 20mm, HEX SKT HD. CAP
7	815-2647	1	DL15SX, LOUDSPEAKER, 15 IN.
8	73060	1	BAFFLE, FRONT
9	A 20548	1	FLANGE, DRIVER MOUNT
10	63283 CP	4	SCREW, #10-16 x 3/4, PAN HD., PHILLIPS, HI-LO
11	38701	1	GASKET, 1.3 O.D. x 0.94 I.D. x 1/16 THK. VELUTEX
12	833-0990	1	DRIVER
13	28261	1	FOOT, RUBBER
14	73059	1	ENCLOSURE, REAR
15	20590	8	PLUG, HOLE
16	71490	3	HANDLE
17	63282 CP	26	SCREW, #10-16 x 2 IN. LG., PAN HD., PHILLIPS, HI-LO
18	B 610224 CP	1	SCREW, 1/4-20 x 1 1/2, RD. HD., XREC., STL, BLK ZINC
19	4097 CP	3	WASHER, FLAT, PLAIN, STL, 1/4 IN.
20	63360 CP	10	SCREW, #8-18 x 1", OVL HD., PHILLIPS, HI-LO
21	63287 CP	1	SCREW, 1/4-20 x 3/4, THUMB
22	534334	1	LABEL, INPUT (Sx500)
23	A 73084 HV	1	PANEL, INPUT (Sx500)
24	28322	1	TAPE, FOAM, CLOSED CELL, .50 x .079 THK. x 52 IN.
25	83850	1	CROSSOVER S/A (Sx500)
26	63358 AE	9	SCREW, #8-32 x 1/2, PAN HD., PHILLIPS, TAPTITE
27	17331	2	CONNECTOR, NEUTRIK, NL4MP
28	63376 CP	4	SCREW, #4-40 x 1/2, FLAT HD., PHILLIPS, TAPTITE
29	84489	1	PANEL, INPUT S/A (Sx500) (INCLUDES ITEMS 22 THRU 28)
30	28308	4	FOOT, RUBBER
31	63284 CP	4	SCREW, #8-18 x 5/8 LG., PAN HD., PHILLIPS, HI-LO
32	49042	1	NAMEPLATE, EV LOGO, 2 1/2 SQ., GOLD W/ STUD
33	19086	1	SPRING, SPIROL
34	20745 AE	1	NUT, PUSH, PALNUT PS125006
CROSSOVER ITEM NO.'S			DESCRIPTION
25	83850	1	CROSSOVER S/A, (Sx500)
C1	83850-C1	1	CAPACITOR, 44 uF, 250 V
C2	83850-C2	1	CAPACITOR, 120 uF, 100 V, LOW FREQUENCY, HIGH CURRENT
C3	83850-C3	1	CAPACITOR, 1.5 uF, 400 V
C4	83850-C4	1	CAPACITOR, 8 uF, 250 V
C5	83850-C5	1	CAPACITOR, 18 uF, 250 V
L1	83850-L1	1	INDUCTOR, 1.8 mH, DCR<0.5 ohms
L2	83850-L2	1	INDUCTOR, 0.65 mH, DCR<0.5 ohms
L3	83850-L3	1	INDUCTOR, 1.5 mH, DCR<0.5 ohms
L4	83850-L4	1	INDUCTOR, 3.9 mH, DCR<1.3 ohms
R1	83850-R1	1	RESISTOR, 20 ohms, 25 W
R2	83850-R2	1	RESISTOR, 20 ohms, 25 W
R3	83850-R3	1	RESISTOR, 20 ohms, 25 W
R4	83850-R4	1	RESISTOR, 20 ohms, 25 W
R5	83850-R5	1	RESISTOR, 20 ohms, 20 W
R6	83850-R6	1	RESISTOR, 10 Ohms, 20 W
S1	56208	1	POLYSWITCH, RXE-050