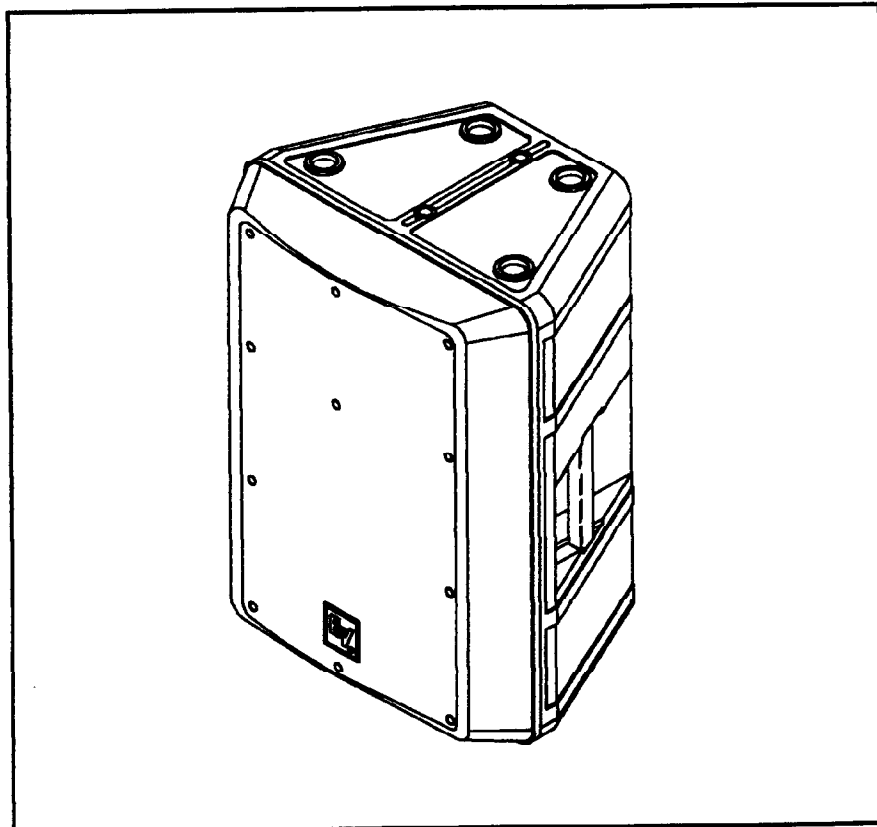


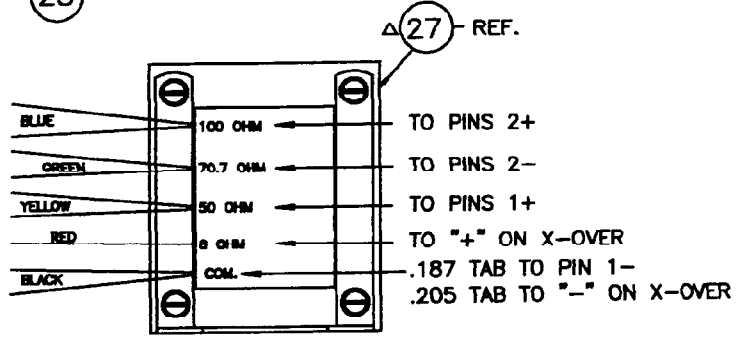
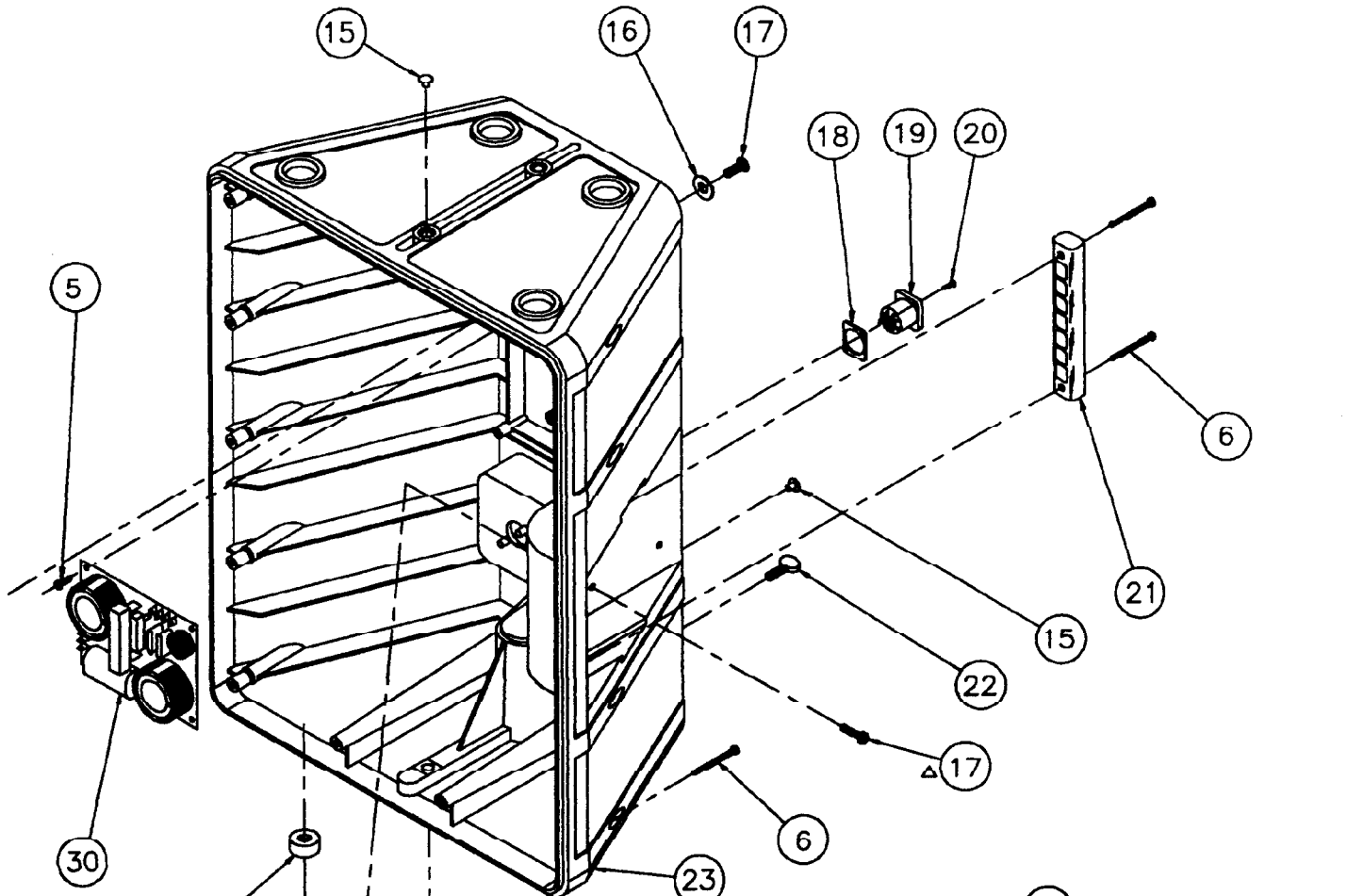


**Electro-Voice®**  
TELEX/EVI Audio  
600 Cecil Street  
Buchanan, Michigan 49107  
Phone: 616-695-6831  
FAX: 616-695-4743

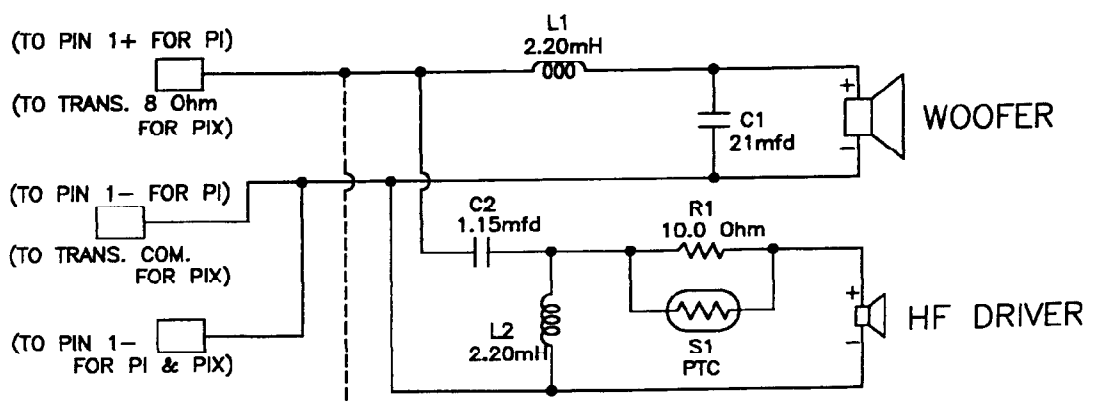
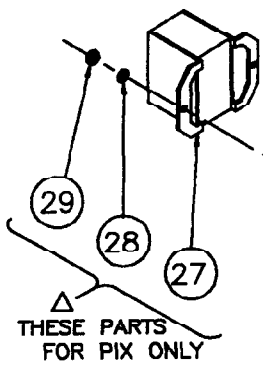
# SERVICE DATA

Sx300PI & Sx300PIX  
(1105-2991) (1105-2992)

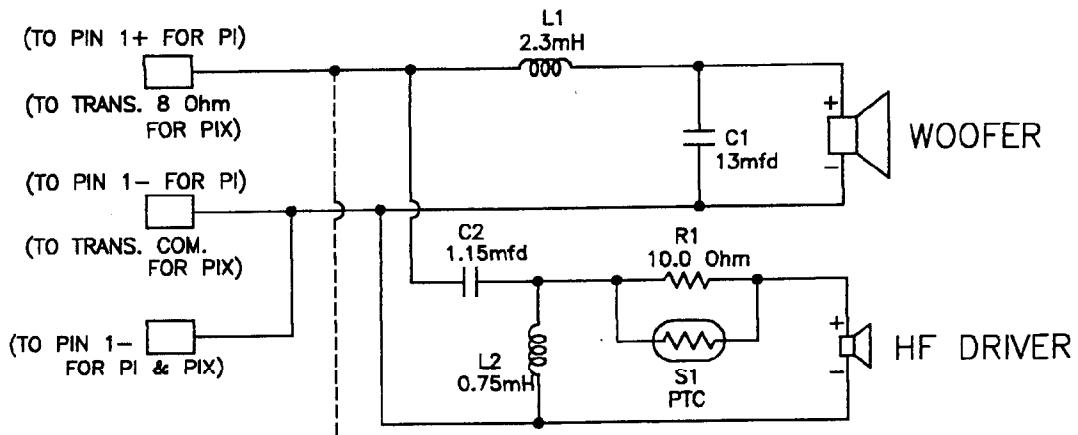




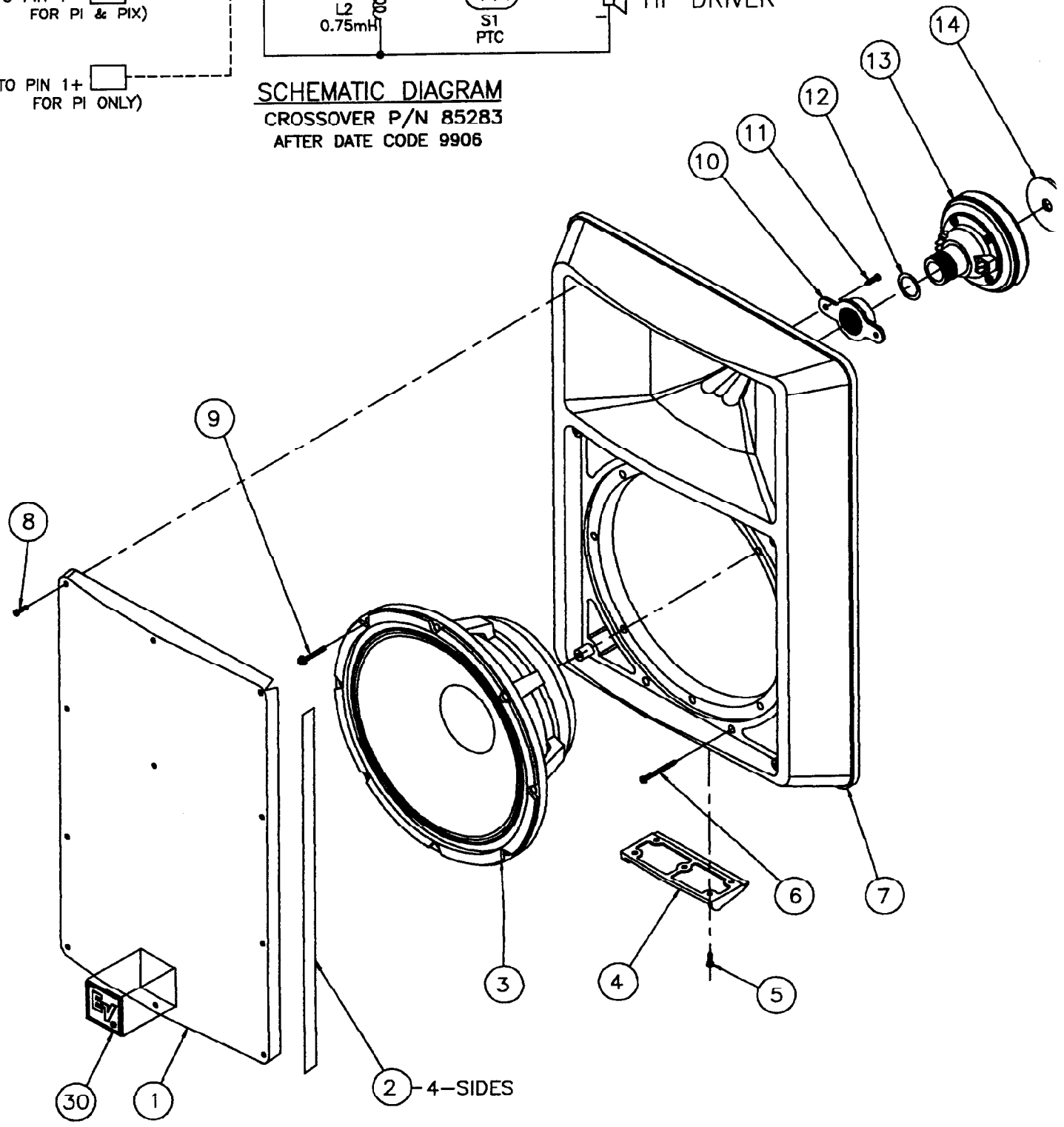
**TRANSFORMER WIRING (PIX ONLY)**



**SCHEMATIC DIAGRAM  
CROSSOVER P/N 84856  
PRIOR TO DATE CODE 9906**



**SCHMATIC DIAGRAM**  
 CROSSOVER P/N 85283  
 AFTER DATE CODE 9906



# PARTS LIST

QUANTITIES SHOWN ARE FOR ONE COMPLETE UNIT

ITEM	PART NO.	QTY.	DESCRIPTION
1	83892	1	GRILLE S/A
2	55060	4	TAPE, FOAM, 5.8 FT. LG.
3	W812-3026*	1	LOUDSPEAKER, 12 IN.; * PRIOR TO DATE CODE 9906
	W812-3195**	1	LOUDSPEAKER, 12 IN.; ** AFTER DATE CODE 9906
4	28309	1	FOOT, ANTI-TIP OVER
5	63284 CP	14	SCREW, #8-18 x 1/2, PAN HD., PHILLIPS
6	63282 CP	16	SCREW, #10-16 x 2" LG., PAN HD., PHILLIPS
7	71482	1	BAFFLE, FRONT
8	63382 CP	11	SCREW, #10-16 x 3/4, PAN HD., XREC, STN STL, HI-LO
9	63286 DP	8	SCREW, M6 x 20 mm, HEX. WASHER HD.
10	A 20548	1	FLANGE, DRIVER MOUNT
11	63283 CP	2	SCREW, #10-16 x 3/4, PAN HD., PHILLIPS
12	38701	1	GASKET, 1.3 O.D. x 0.94 I.D. x 1/16 THK. VELUTEX
13	833-0990	1	DRIVER
14	38828	1	GASKET, DAMPING
15	20590	4	PLUG, HOLE
16	4097 CP	1	WASHER, FLAT, PLAIN, STL., 1/4 IN.
17	B 610212 CP	3	SCREW, 1/4-20 x 3/4, RD. HD., XREC.
18	38821	2	GASKET, INPUT CONNECTOR
19	17331	2	CONNECTOR, NEUTRIK, NL4MP
20	63285 CP	4	SCREW, #5-20 x 1/2, OVAL HD., PHILLIPS
21	71490	1	HANDLE
22	63287 CP	1	SCREW, 1/4-20 x 3/4, THUMB
23	71483	1	ENCLOSURE, REAR
24	28308	4	FOOT, RUBBER
25	534545	1	LABEL, INPUT SX300PI (NOT SHOWN)
	534551	1	LABEL, INPUT SX300PIX (NOT SHOWN)
26	73235	4	COVER, PORT (NOT SHOWN)
27	15347	1	TRANSFORMER, 100 WATT
28	3830 CP	2	WASHER, LOCK, 1/4 IN, INT TOOTH
29	20023 AE	2	NUT, 1/4-20, HEX.
30	49116	1	NAMEPLATE, EV LOGO
CROSSOVER ITEM NO.'S			DESCRIPTION
29	84856*	1	CROSSOVER S/A, * PRIOR TO DATE CODE 9906
C1	84856-C1	1	CAPACITOR, 21.0 uF, 250 VOLT, MYLAR
C2	84856-C2	1	CAPACITOR, 1.15 uF, 400 VOLT, MYLAR
L1	84856-L1	1	INDUCTOR, 2.20 mH, PC MOUNT
L2	84856-L2	1	INDUCTOR, 2.20 mH, PC MOUNT
R1	46855	1	RESISTOR, 10 Ohm, 20 WATT, PC MOUNT
S1	56208	1	POLY SWITCH, RAYCHEM RXE 050A
29	85283**	1	CROSSOVER S/A, ** AFTER DATE CODE 9906
C1	85283-C1	1	CAPACITOR, 13.0 uF, 250 VOLT, MYLAR
C2	85283-C2	1	CAPACITOR, 1.15 uF, 400 VOLT, MYLAR
L1	85283-L1	1	INDUCTOR, 2.3 mH, PC MOUNT
L2	85283-L2	1	INDUCTOR, 0.75 mH, PC MOUNT
R1	46855	1	RESISTOR, 10 Ohm, 20 WATT, PC MOUNT
S1	56208	1	POLY SWITCH, RAYCHEM RXE 050A