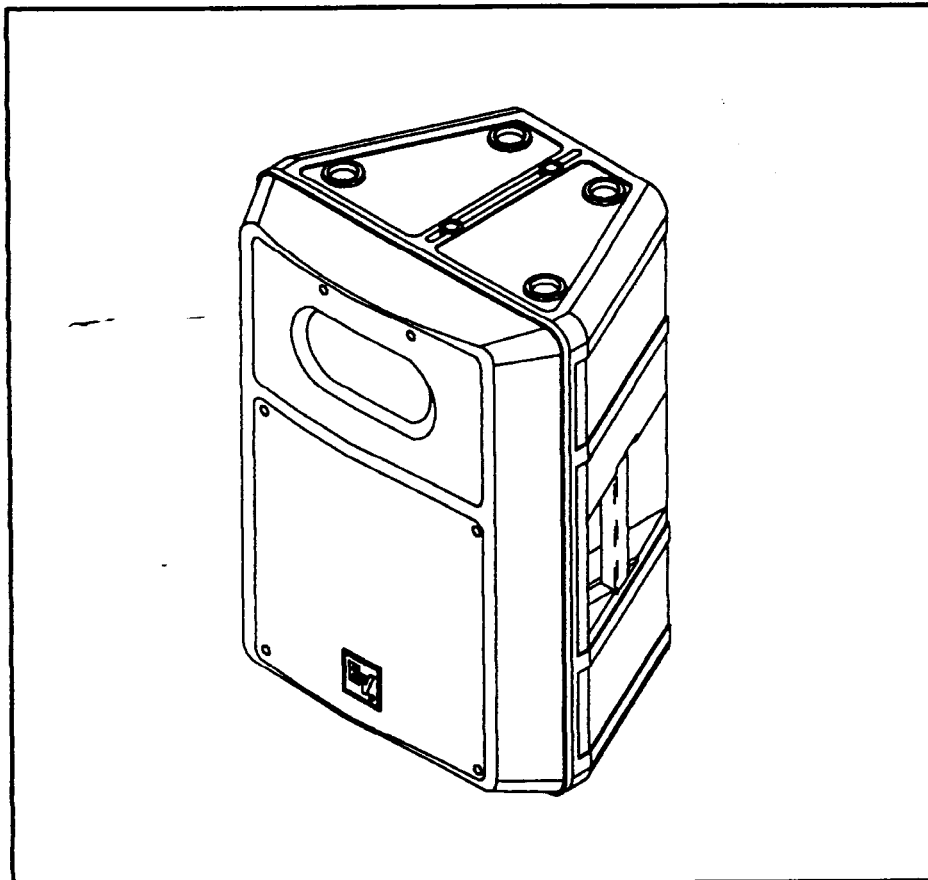


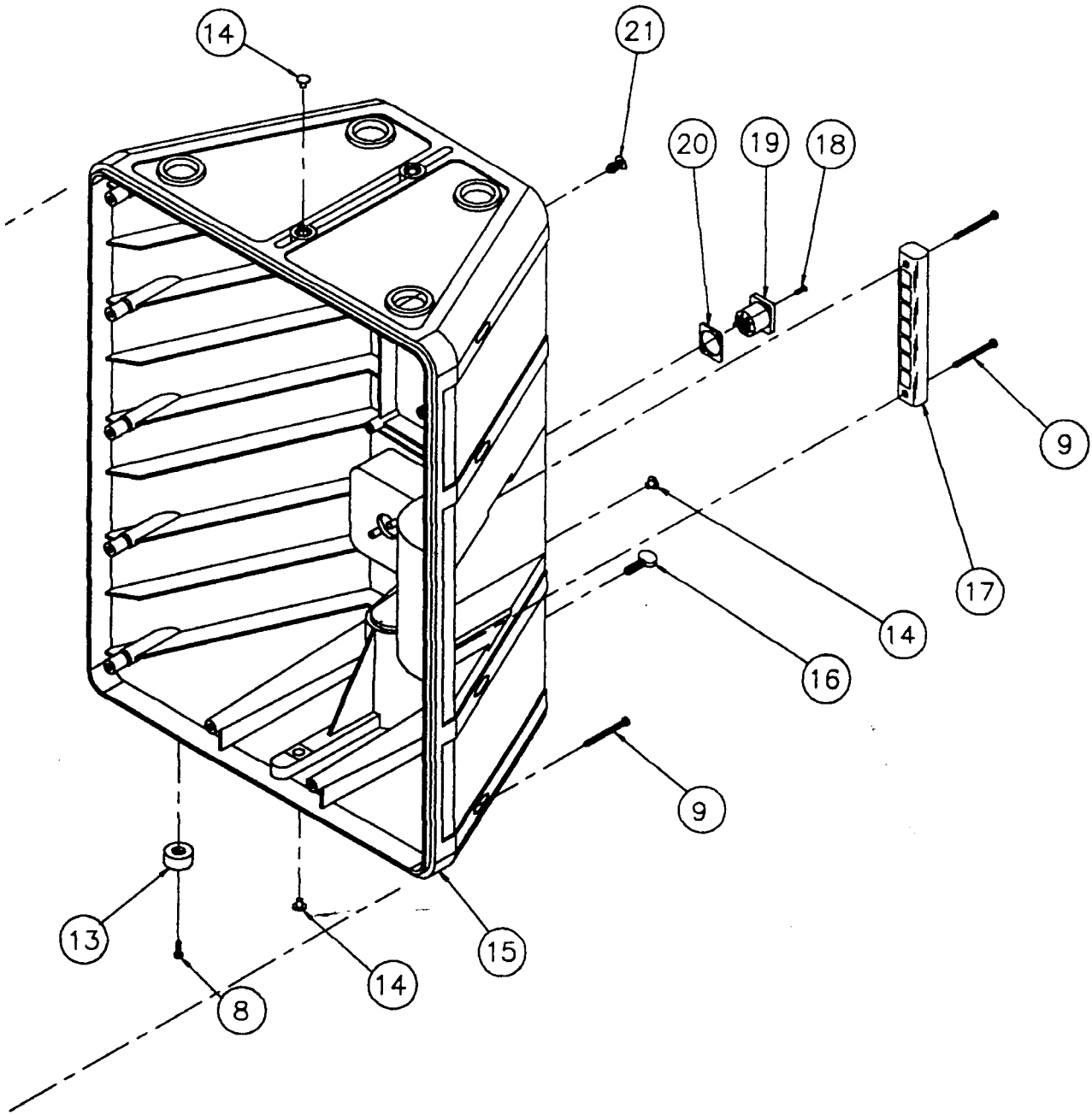


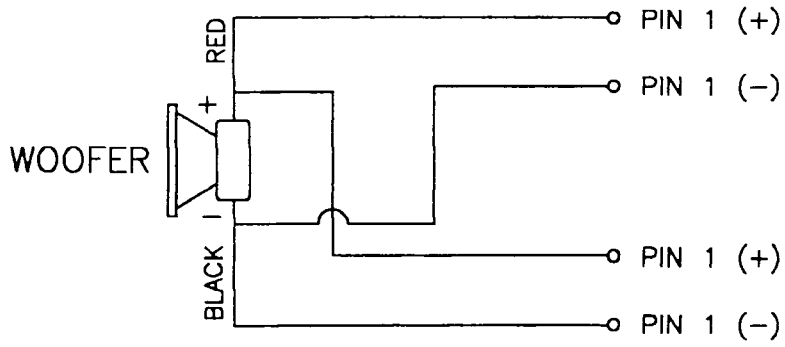
**Electro-Voice®**  
TELEX Communications, Inc.  
600 Cecil Street  
Buchanan, Michigan 49107  
Phone: 616-695-6831  
FAX: 616-695-4743

# SERVICE DATA

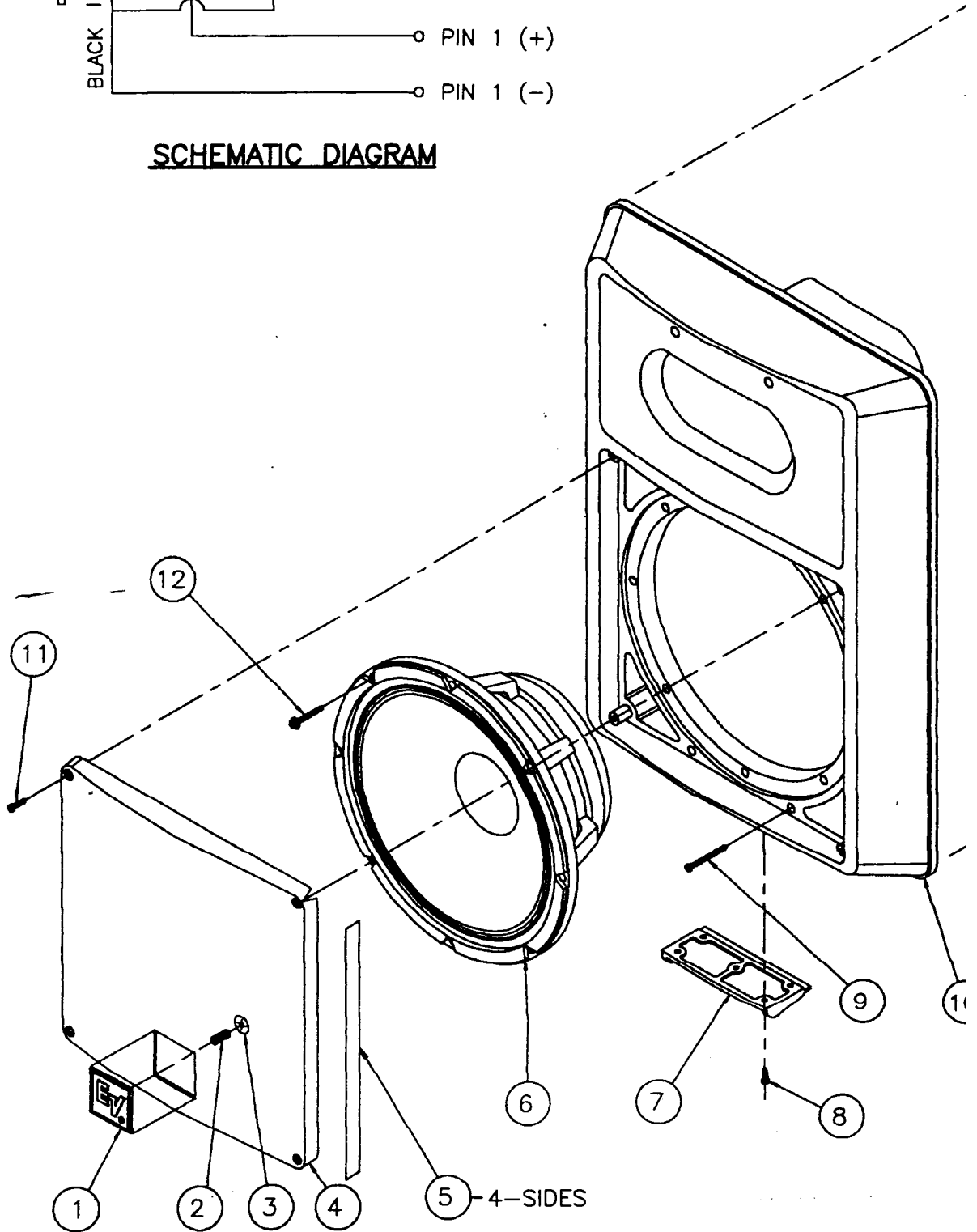
## Sb121 (1105-3036)







**SCHEMATIC DIAGRAM**



# PARTS LIST

QUANTITIES SHOWN ARE FOR ONE COMPLETE UNIT

ITEM	PART NO.	QTY.	DESCRIPTION
1	49141	1	NAMEPLATE, EV LOGO, WHITE
2	19086	1	SPRING, SPIRAL
3	20745 AE	1	PUSH NUT, PALNUT #PS-125006
4	71494	1	GRILLE
5	28039	4	TAPE, FOAM, TESIMOL, 12 1/2 IN. LG.
6	812-3037*	1	LOUDSPEAKER, 12 IN.; * PRIOR TO DATE CODE 9906
	812-3196**	1	LOUDSPEAKER, 12 IN.; ** AFTER DATE CODE 9906
7	28309	1	FOOT, ANTI-TIP OVER
8	63284 CP	9	SCREW, #8-18 x 1/2, PAN HD., PHILLIPS
9	63282 CP	16	SCREW, #10-16 x 2" LG., PAN HD., PHILLIPS
10	71683	1	BAFFLE, FRONT
11	63283 CP	4	SCREW, #10-16 x 3/4, PAN HD., PHILLIPS
12	63286 CP	8	SCREW, M6 x 20 mm, HEX. WASHER HD.
13	28308	4	FOOT, RUBBER
14	20590	4	PLUG, HOLE
15	71483	1	ENCLOSURE, REAR
16	63287 CP	1	SCREW, 1/4-20 x 3/4, THUMB
17	71490	1	HANDLE
18	63285 CP	4	SCREW, #5-20 x 1/2, OVL HD, PHILLIPS, HI-LO
19	17331	2	CONNECTOR, NEUTRIK, NL4MP
20	38821	2	GASKET, INPUT CONNECTOR
21	20564	1	PLUG, HOLE, ARROW CLIP, HEYCO #0317
22	17306	1	CONNECTOR, CABLE, NEUTRIK, 4 PIN,NL4FC (NOT SHOWN)
23	83056	2	WIRE S/A #18 ZIPCORD, 15", 0.187/BARE LUGS (NOT SHOWN)
24	534715	1	LABEL, HANGING, WARNING (NOT SHOWN)