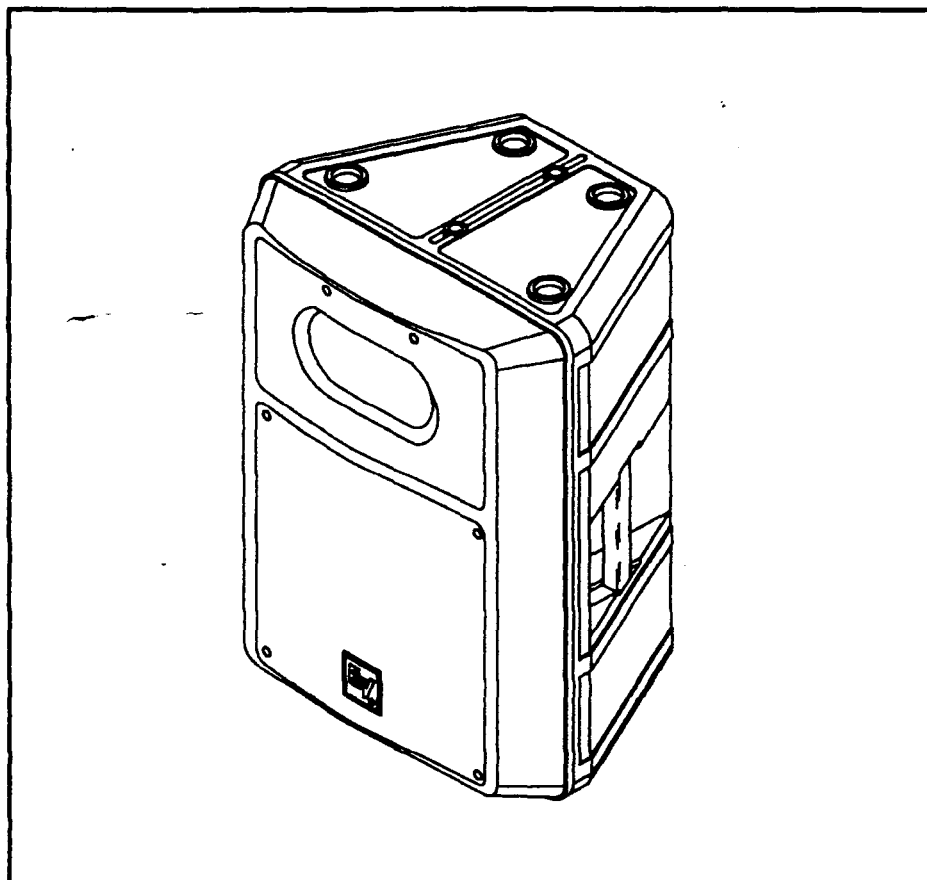


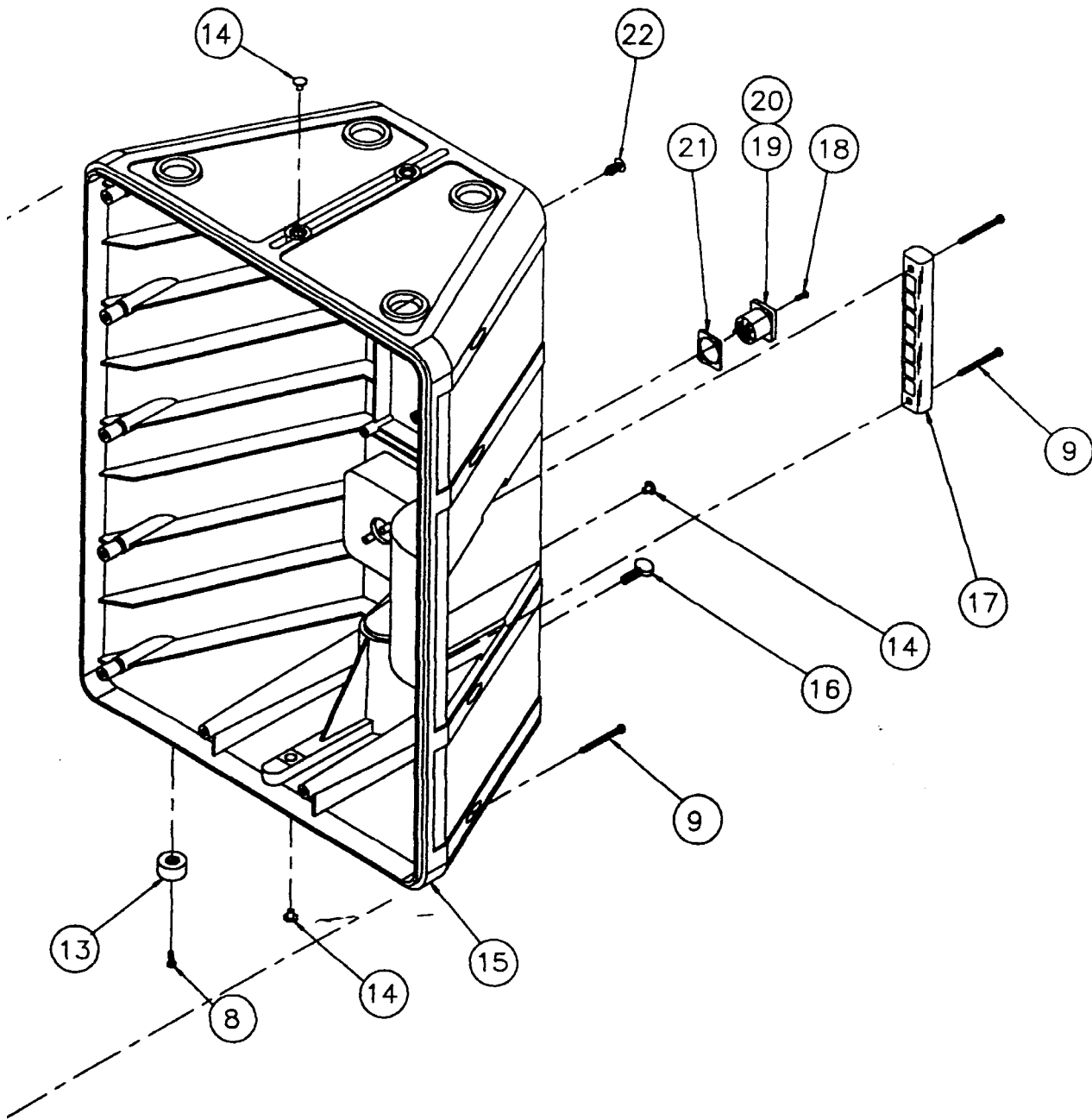


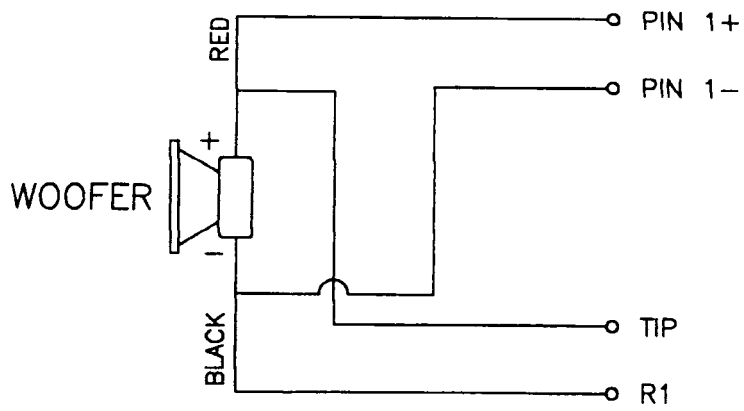
**Electro-Voice®**  
TELEX Communications, Inc.  
600 Cecil Street  
Buchanan, Michigan 49107  
Phone: 616-695-6831  
FAX: 616-695-4743

# SERVICE DATA

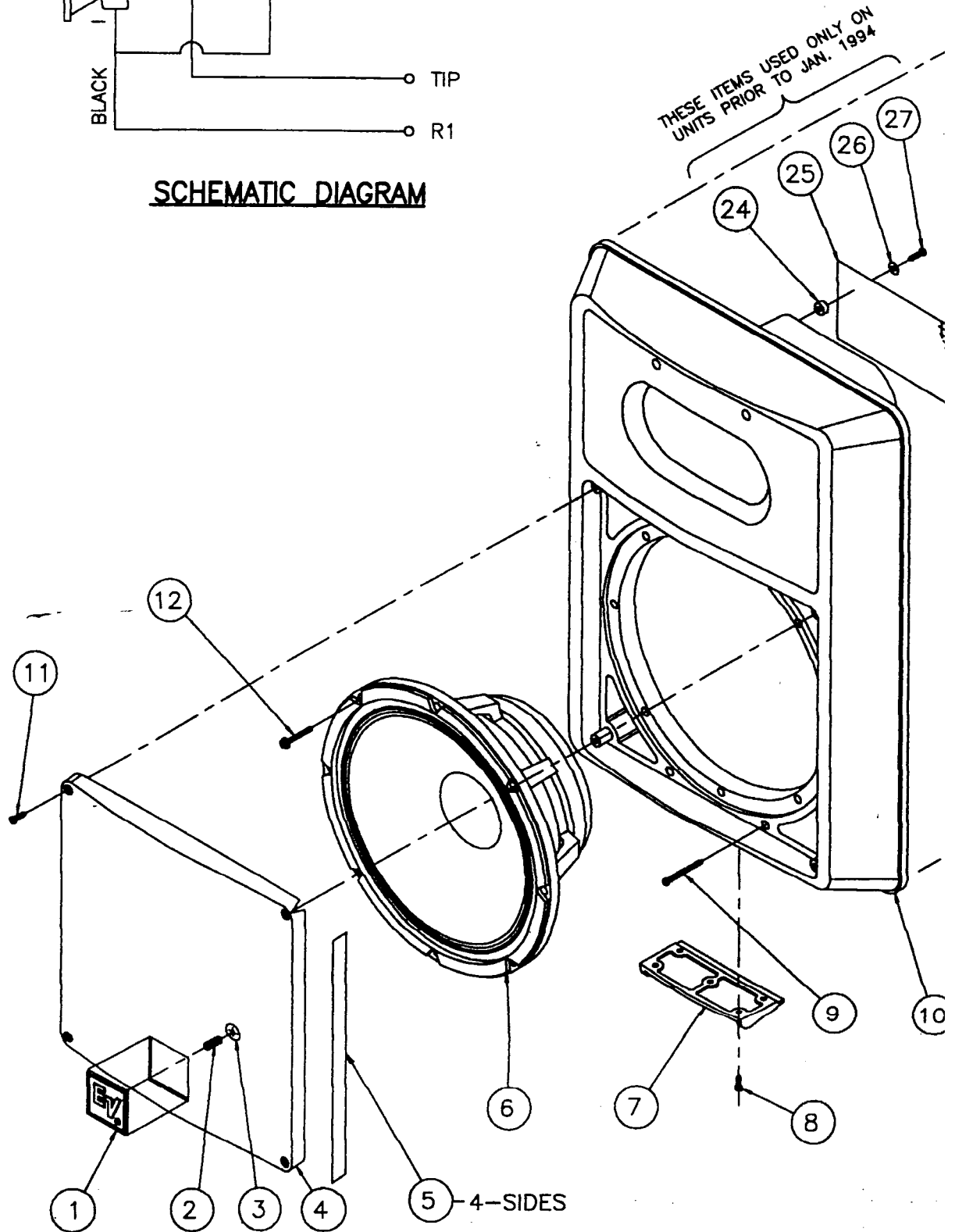
## Sb120 & Sb120W (1105-2365) (1105-2817)







**SCHEMATIC DIAGRAM**



# PARTS LIST

QUANTITIES SHOWN ARE FOR ONE COMPLETE UNIT

ITEM	PART NO.		QTY.	DESCRIPTION
	Sb120	Sb120W		
1	49037	49061	1	NAMEPLATE, EV LOGO, GOLD
2	19086		1	SPRING, SPIRAL
3	20745 AE		1	PUSH NUT, PALNUT #PS-125006
4	71494	72956	1	GRILLE
5	28039		4	TAPE, FOAM, TESIMOL, 12 1/2 IN. LG.
6	812-2364		1	LOUDSPEAKER, 12 IN.
7	28309	20605	1	FOOT, ANTI-TIP OVER
8	63284 CP		9	SCREW, #8-18 x 1/2, PAN HD., PHILLIPS
9	63282 CP		16	SCREW, #10-16 x 2" LG., PAN HD., PHILLIPS
10	71683	73231	1	BAFFLE, FRONT
11	63283 CP		4	SCREW, #10-16 x 3/4, PAN HD., PHILLIPS
12	63286 CP		8	SCREW, M6 x 20 mm, HEX. WASHER HD.
13	28308		4	FOOT, RUBBER
14	20590		4	PLUG, HOLE
15	71483	72962	1	ENCLOSURE, REAR
16	63287 CP		1	SCREW, 1/4-20 x 3/4, THUMB
17	71490	72955	1	HANDLE
18	63285 CP		4	SCREW, #5-20 x 1/2, OVL HD, PHILLIPS, HI-LO
19	17331		1	CONNECTOR, NEUTRIK, NL4MP
20	71767		1	JACK, PHONE, NEUTRIK #NJ3FP6C-PMOD
21	38821		2	GASKET, INPUT CONNECTOR
22	20564		1	PLUG, HOLE, ARROW CLIP, HEYCO #0317
23	17306		1	CONNECTOR, CABLE, NEUTRIK, 4 PIN, NL4FC (NOT SHOWN)
24	20571		4	STANDOFF, RUBBER
25	71757		1	GRILLE PORT
26	38691		4	WASHER, FLAT
27	63254 CP		4	SCREW, #6-19 x 3/4