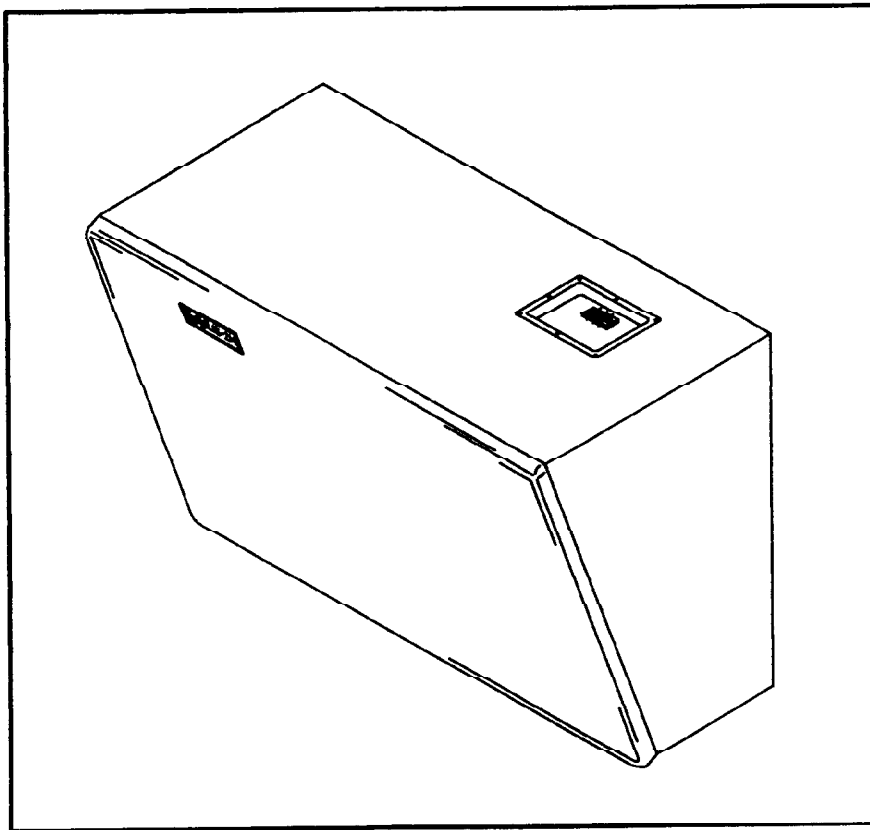




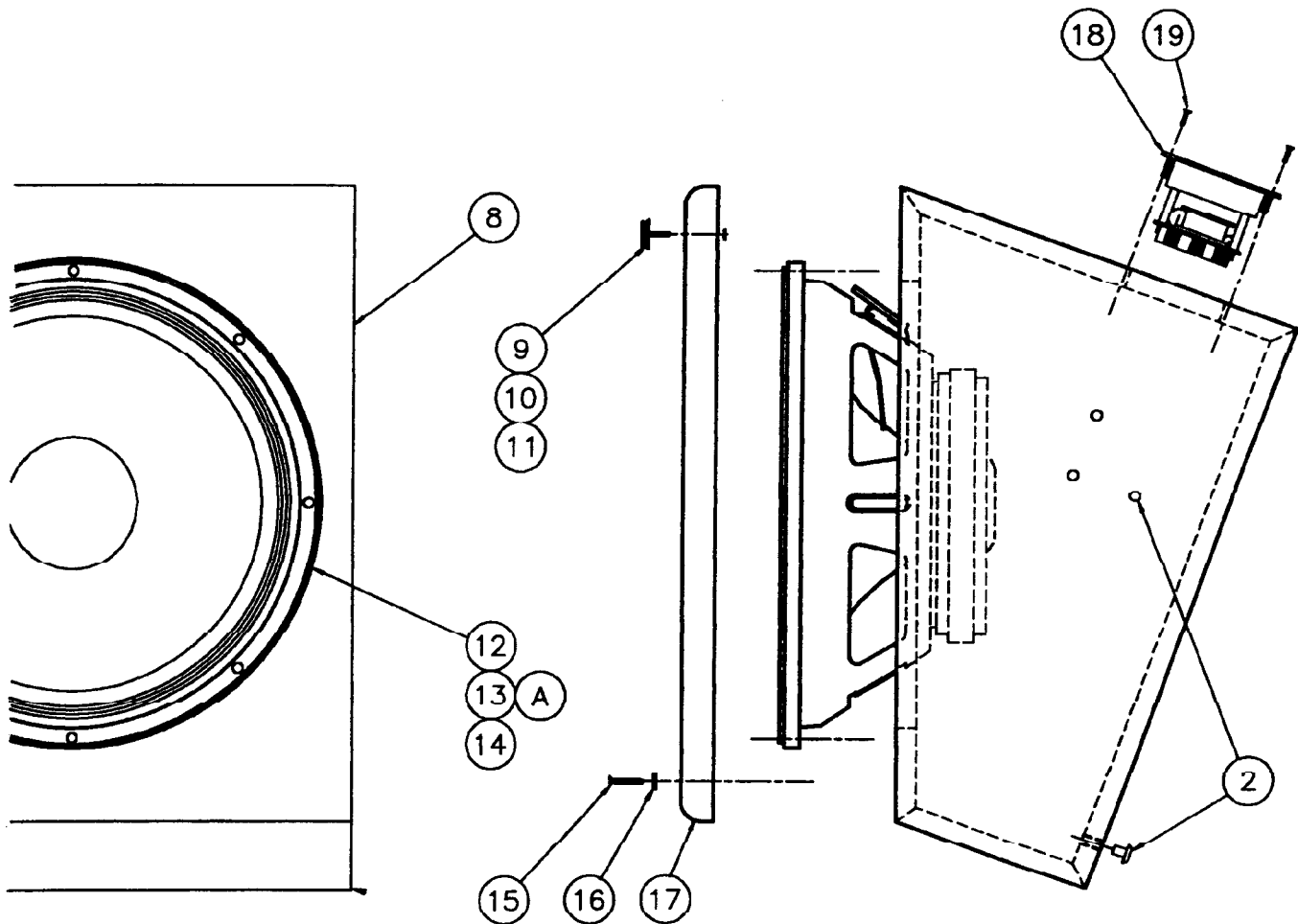
Electro-Voice®
TELEX/EVI Audio
600 Cecil Street
Buchanan, Michigan 49107
Phone: 616-695-6831
FAX: 616-695-4743

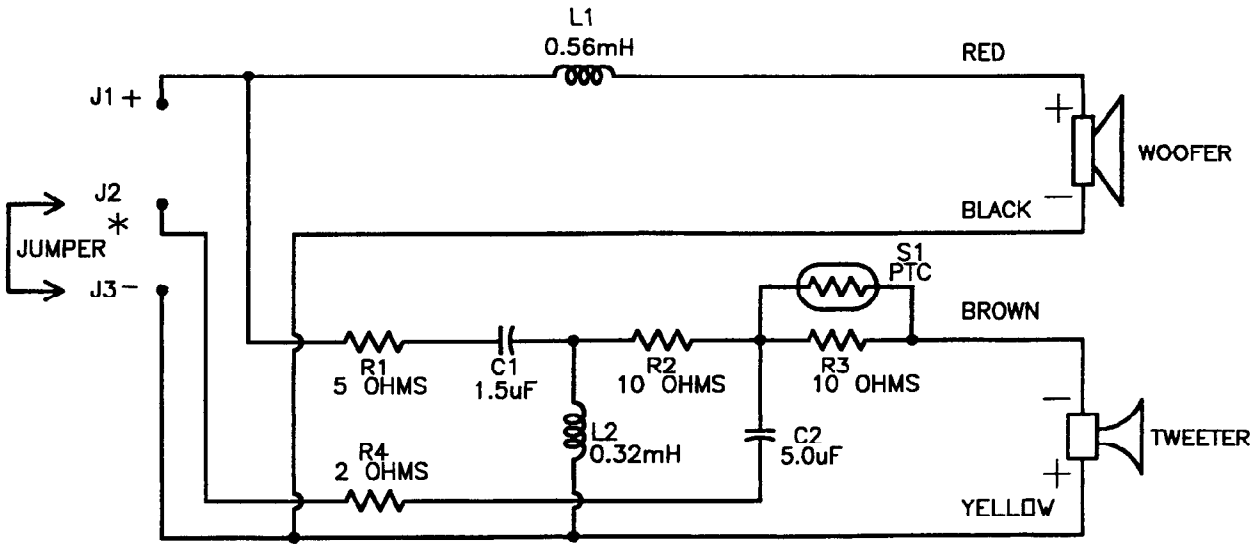
SERVICE DATA

SL15-2H (1215-2914)



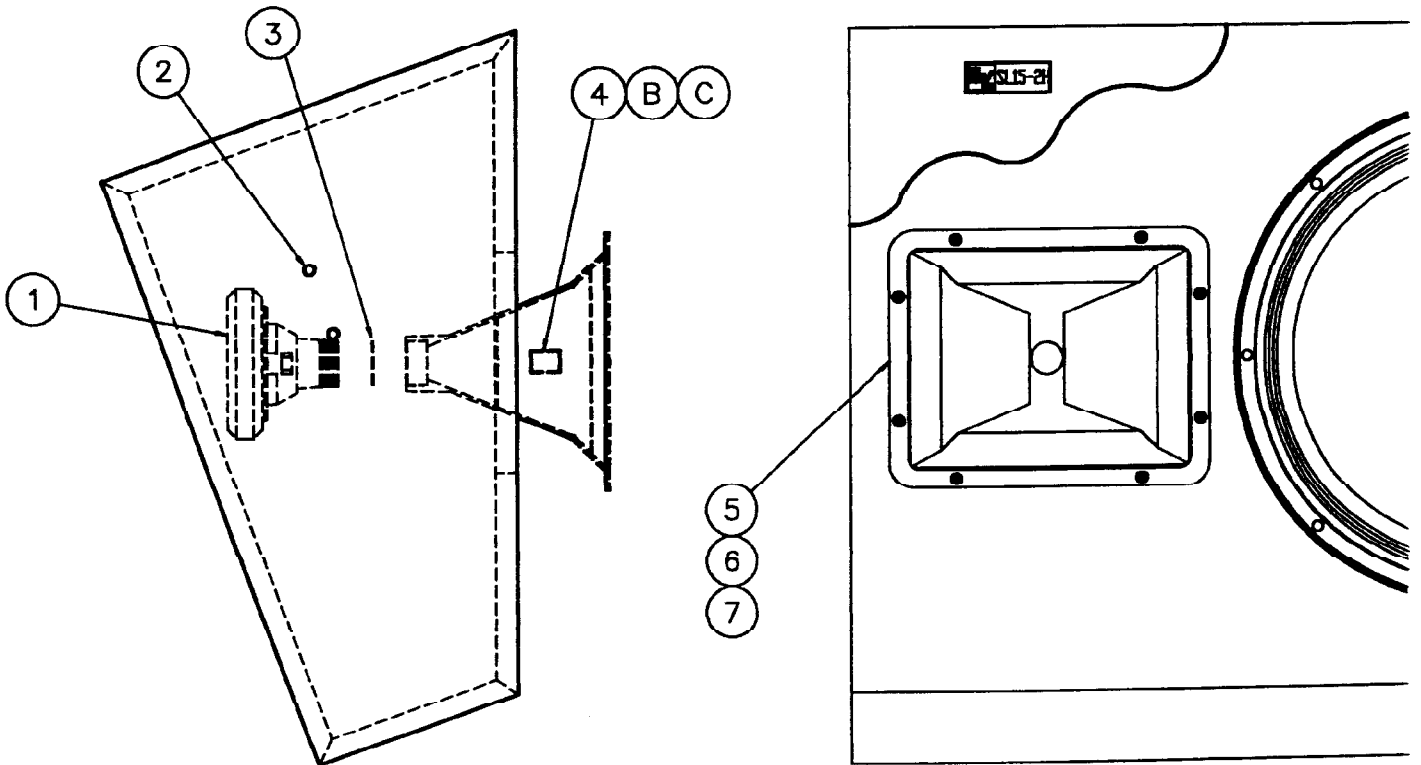
ABHESIVES		
ITEM	PART NO.	DESCRIPTION
A	97475	ADH, LOCTITE #222M
B	97501	TAK-PAK, ACCELERATOR, LOCTITE #7452
C	97500	ADH, LOCTITE #4471





*
 NOTE: JUMPER MOVED TO J2, J3 INSTALLS
 THE HIGH PASS ISO ROLLOFF SECTION.
 UNIT SHIPPED WITH JUNPER OPEN.

SCHEMATIC DIAGRAM



PARTS LIST

QUANTITIES SHOWN ARE FOR ONE COMPLETE UNIT

ITEM	PART NO.	QTY.	DESCRIPTION
1	833-0990	1	DRIVER
2	20354	7	PLUG, HOLE, 5/16, NYLON, BLK
3	38701	1	GASKET, 1.3 x .94 x 1/16 T, VELUTEX
4	72320	2	PAD, DAMPING, BLACK
5	70584 A JC	1	HORN C.D.
6	28306	1	TAPE, FOAM BLK, 3M #4718, 38.4 IN. LG.
7	63290 CP	8	SCREW, #8-10 x 1 1/8 IN. LG. FLT HD. XREC. GIMLET PT
8	73750	1	ENCLOSURE
9	49137	1	NAMEPLATE
10	534524	1	LABEL, NAMEPLATE
11	20745 AE	1	NUT, PUSH, PALNUT PS125006
12	73594	1	LOUDSPEAKER, 15"
13	63338 CP	4	SCREW, 1/4-20 x 1 IN. LG, HEX SKT HD, CAP
14	28306	1	TAPE, FOAM BLK, 3M #4718, 45.6 IN. LG.
15	62989 CP	4	SCREW, #8-18 x 1 1/2 IN. LG, FLT HD, XREC, TYPE AB
16	38768	4	WASHER, #8. C'SINK, FINISHING, BLK. NYLON
17	73749	1	GRILLE
18	84516	1	CROSSOVER S/A
19	63285 CP	6	SCREW, #5-20 x 1/2 IN. LG, OVL HD, PHLPS, HI-LO
CROSSOVER ITEM NO'S	QTY	DESCRIPTION	
C1	84516-C1	1	CAPACITOR, 1.5 uF METALLIZED POLYPROPYLENE
C2	84516-C2	1	CAPACITOR, 5.0 uF METALLIZED POLYPROPYLENE
L1	84516-L1	1	INDUCTOR, 0.56 mH AIR CORE +/- 10% 18 GA. WIRE
L2	84516-L2	1	INDUCTOR, 0.32 mH AIR CORE +/- 10% 18 GA. WIRE
R1	84516-R1	1	RESISTOR, 5.0 Ohms 20 WATT SQ. CERAMIC
R2	84516-R2	1	RESISTOR, 10.0 Ohms 20 WATT SQ. CERAMIC
R3	84516-R3	1	RESISTOR, 10.0 Ohms 20 WATT SQ. CERAMIC
R4	84516-R4	1	RESISTOR, 2.0 Ohms 20 WATT SQ, CERAMIC
S1	56208	1	POLYSWITCH, RAYCHEM RXE 050A