

# Sx250/SxA250

## SK1 Rigging Kit Installation Instructions

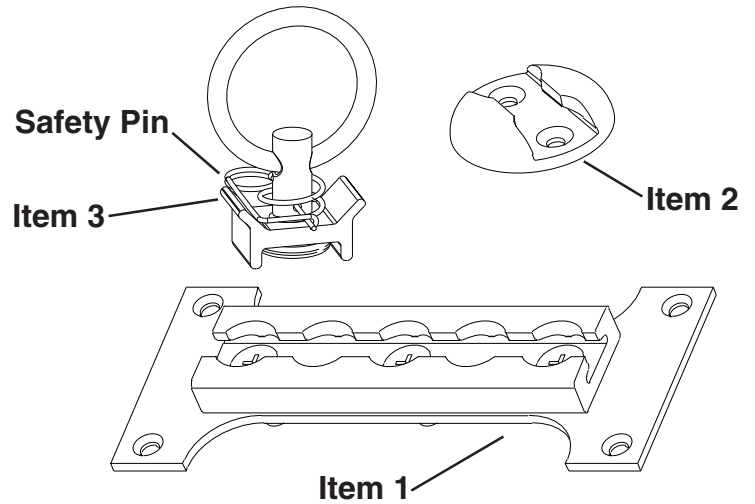


### SK1 Rigging Kit

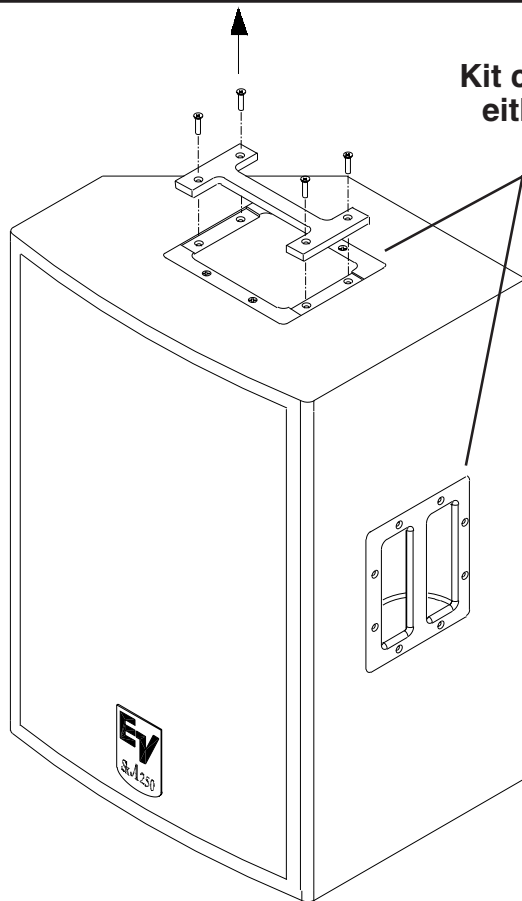
The SK1 Rigging Kit features rigging track and hardware that allows you to suspend any Sx250 or SxA250. Its assembly is quick and easy with the hardware already provided on your Sx250 or SxA250.

#### SK1 Rigging Kit Includes

Item	Description	Qty.
1	Rigging Handle Assembly with 5" Track	1
2	Ankra Anchor Plate	1
3	Single Stud Ankra Track Fitting w/Safety Pin	2



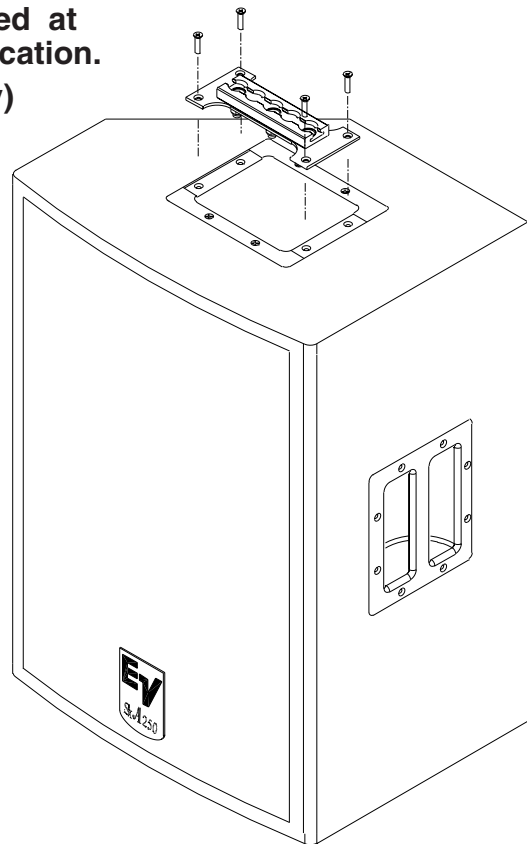
### SK1 Rigging Kit Assembly (SxA250 Shown)



#### Step 1: Remove original handle insert

Remove original handle insert by removing the four screws shown. Keep these screws to assemble the rigging handle insert.

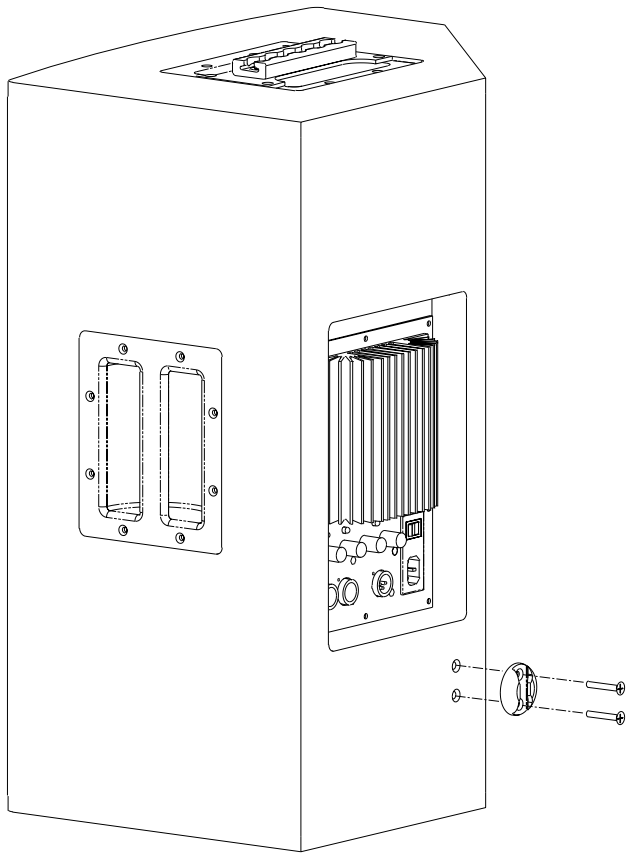
Kit can be installed at either handle location.  
(SxA250 only)



#### Step 2: Attach Rigging Handle

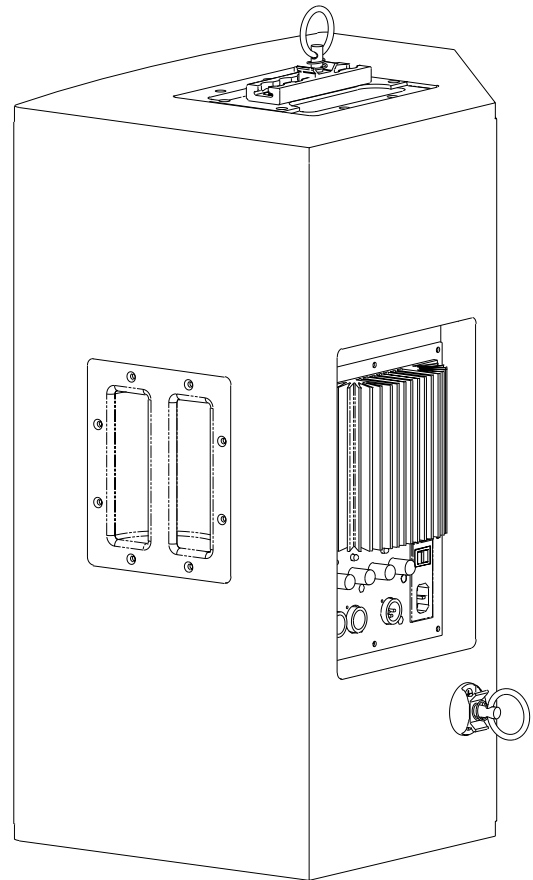
Using the four screws removed in Step 1, attach rigging handle (Item 1) to speaker.

## SK1 Rigging Kit Assembly



### Step 3: Attach Anchor Point

Remove the screws shown from the back of the enclosure. Use these to attach the Ancra Anchor (Item 2) to the enclosure.



### Step 4: Attach Track Fittings

Attach one Ancra Track Fitting (Item 3) to the Rigging Handle and one to the Anchor point.



**MAKE SURE THE SAFETY PIN IS PROPERLY FASTENED TO EACH TRACK FITTING BEFORE SUSPENDING.**



**WARNING:** Suspending any object is potentially dangerous and should only be attempted by individuals who have a thorough knowledge of the techniques and regulations of rigging objects overhead. Electro-Voice® strongly recommends that SxA speakers be suspended taking into account all current national, federal, state and local regulations. It is the responsibility of the installer to ensure that SxA speakers are safely installed in accordance with all such regulations. If SxA speakers are suspended, Electro-Voice® strongly recommends that the system be inspected at least once a year. If any sign of weakness or damage is detected, remedial action should be taken immediately. Please consult our manual entitled Suspending System 200 Loudspeakers, which details the various hardware kits that are available to safely suspend SxA speakers and how each kit should be used. There are also data sheets for each EV hanging hardware part that should also be consulted prior to suspending speakers.

**EV Electro-Voice®**

12000 Portland Avenue South, Burnsville, MN 55337  
Phone: 952/884-4051, Fax: 952/884-0043

[www.electrovoice.com](http://www.electrovoice.com)

© Telex Communications, Inc. 1/2002

Part Number 38110-093 Rev A

U.S.A. and Canada only. For customer orders, contact the Customer Service department at **800/392-3497 Fax: 800/955-6831**  
Europe, Africa and Middle East only. For customer orders, contact the Customer Service department at **49 9421-706 0 Fax: 49 9421-706 265**

For warranty information, contact the Service Repair department at: **616/695-6831 or 800/685-2606**

For technical assistance, contact Technical Support at: **866/78AUDIO**

*Specifications subject to change without notice.*

© Telex Communications, Inc. 2/2002