

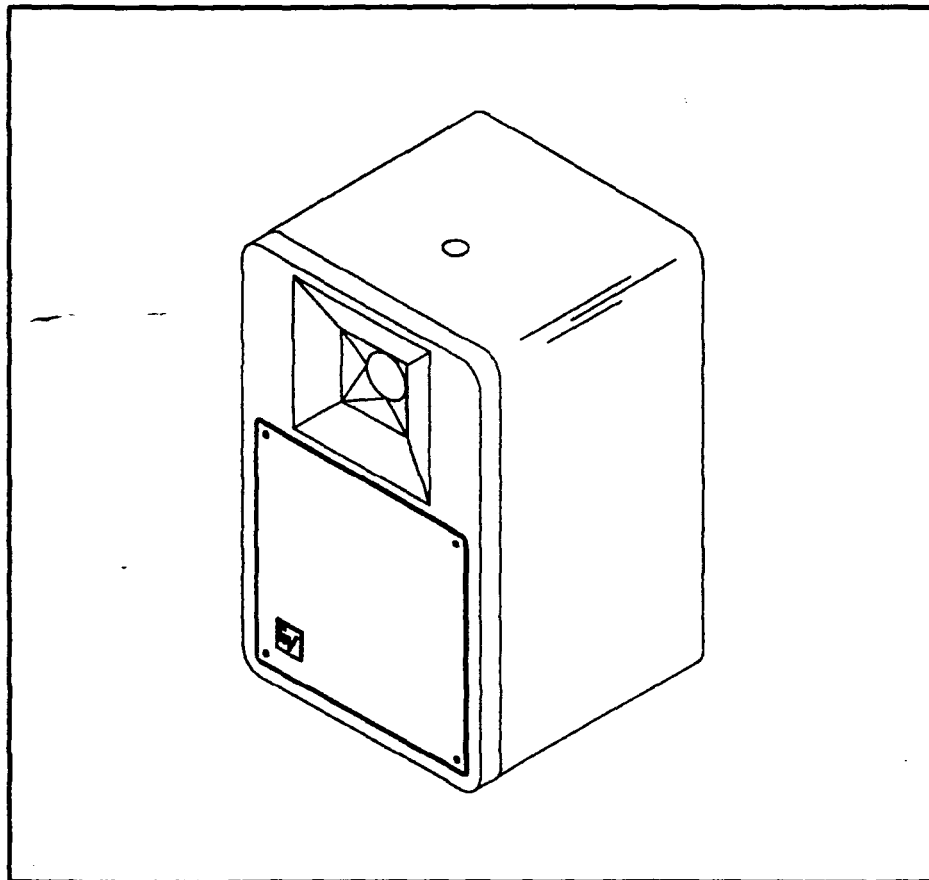


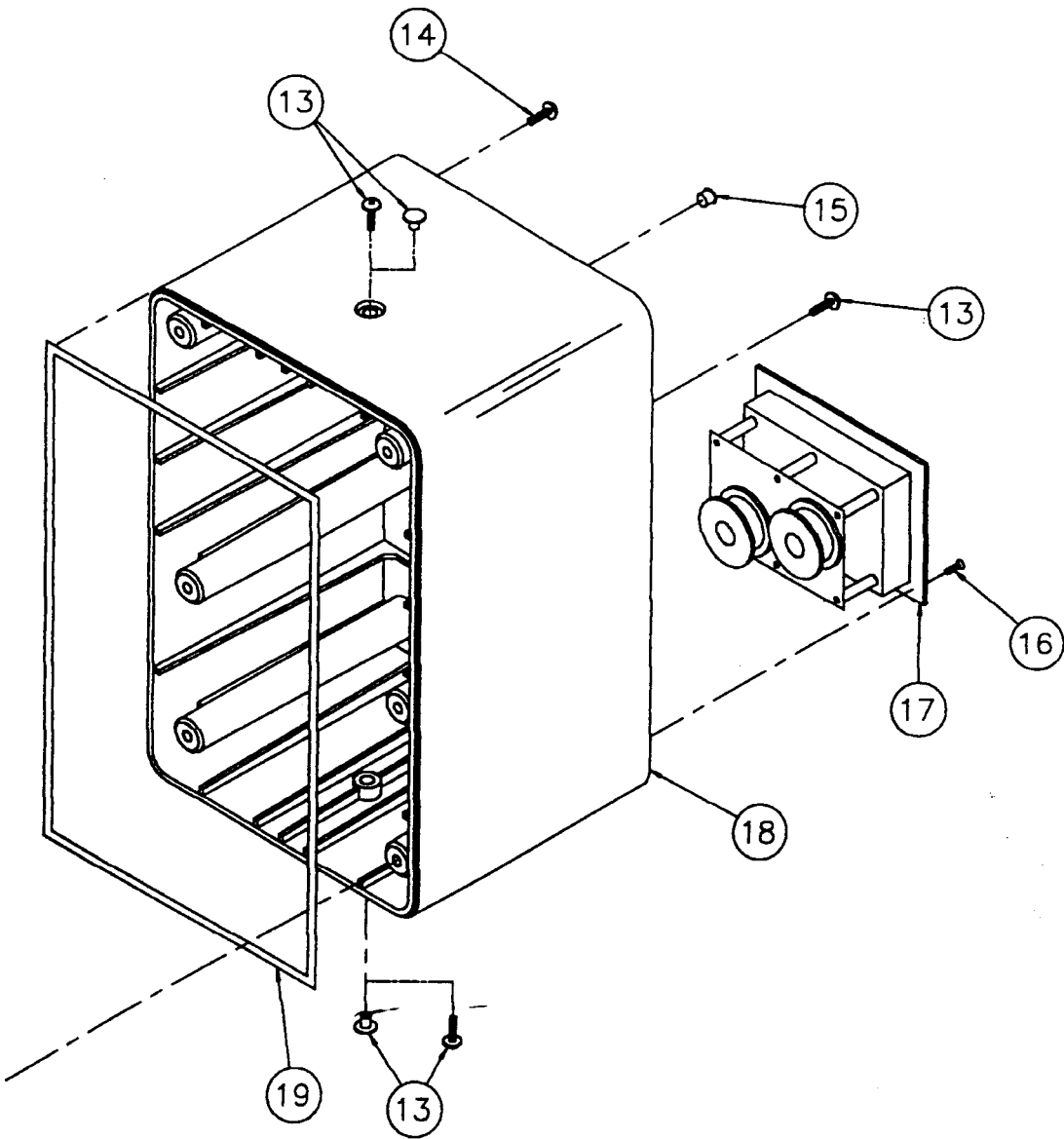
Electro-Voice®
TELEX Communications, Inc.
600 Cecil Street
Buchanan, Michigan 49107
Phone: 616-695-6831
FAX: 616-695-4743

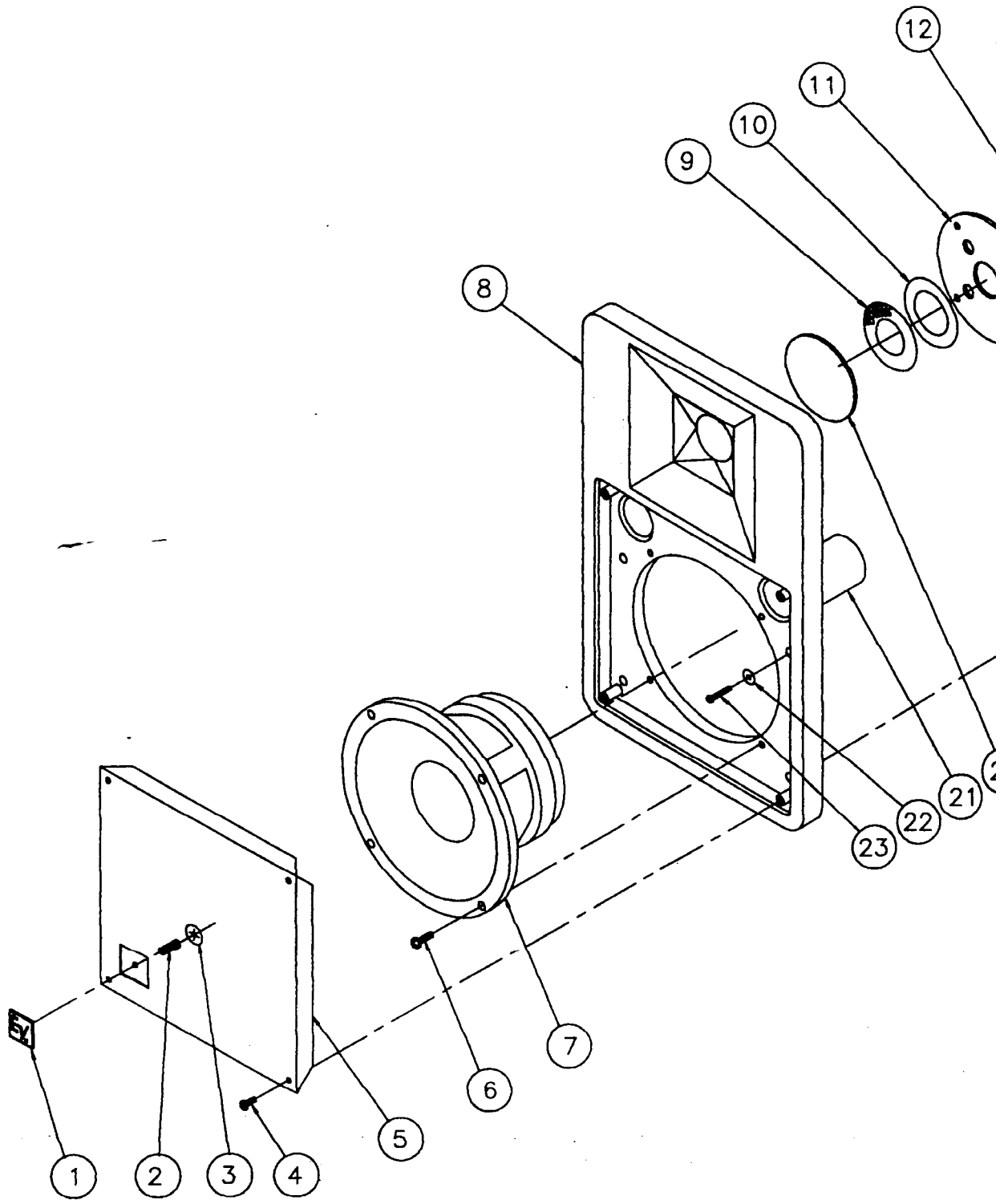
SERVICE DATA

S60A & S60B

(1106-2377) (1106-2459)







PARTS LIST

QUANTITIES SHOWN ARE FOR ONE COMPLETE UNIT

ITEM	PART NO.		QTY.	DESCRIPTION
	S60A	S60B		
1	48912		1	NAMEPLATE, EV LOGO, BLK
2	19090		1	SPRING, SPIRAL
3	20489		1	RETAINER, SHAFT, FASTEX #8063-11-00
4	63295 CP		4	SCR, KA35 x 10 MM, POZIDRIVE
5	71706 JY		1	GRILLE
6	63292 CP		4	SCR, M4 x 14 MM, POZIDRIVE
7	83057		1	WOOFER S/A
8	83173*	71913	1	BAFFLE S/A
9	71711		1	GRILLE, TWEETER
10	38824		1	GASKET, TWEETER
11	83058		1	TWEETER S/A
12	63293 CP		4	SCR, KA40 x 12 MM, POZIDRIVE
13	20354	————	2	PLUG, HOLE
	————	63322 CP	6	SCR, M6 x 20 MM, PAN HD, HEX DRIVE, WSHR HD, BLK
14	————	63321 AE	6	SCR, M6 x 15 MM, PAN HD, POZIDRIVE, WSHR HD, STL
15	————	20355	1	PLUG, HOLE, 3/8 D, NYLON, BLK
16	63285 CP		6	SCR, #5-20 x 1/2, OVL HD, PHILLIPS, HI-LO
17	83067	83310	1	CROSSOVER/INPUT PANEL S/A
18	SEE NOTE 1	83311	1	ENCLOSURE S/A
19	28039		1	TAPE, FOAM, TESIMOL, 39 IN. LG.
20	28008	————	1	FOAM, TWEETER GRILLE
21	71762	————	2	TUBE, VENT
22	38830	————	4	WASHER, #10 NYLON
23	608220L CP	————	4	SCR, #10-32 x 1 1/4, PAN HD, XREC, STL, BLK ZINC
24	28300		4	PAD, RUBBER, 4 KISS CUT (NOT SHOWN)

© TELEX/EVI Audio, 1998 Litho in U.S.A. • Part Number 532670-A 9850

*

NOTE 1: IF REPLACING ENCLOSURE, MUST USE S60B ENCLOSURE WITH S60B BAFFLE S/A