

W I R E D
M I C R O P H O N E

N/D868 User Manual

The N/D868 is truly a top performer in any application. Whether in a live sound or studio environment, the N/D868 is able to handle incredibly high sound pressure levels without distortion or overriding the input mixer. With a response specifically designed to “kick” the N/D868 can be used “as is” - no additional EQ required. Electrovoice was the first to utilize the neodymium magnet structure, and it remains at the heart of our new N/DYM series of microphones. Experience the leader again for the first time and hear the difference.

- Designed specifically for kick drum applications in live or studio environments
- Optimized sensitivity for the high sound pressure levels found in bass drum micing
- Extended low-frequency response
- No additional EQ required
- Rugged steel construction for exceptional durability

Operation

The low frequency response of the N/D868 microphone varies with the distance from the sound source. Known as “proximity effect,” maximum bass response is produced in “close-up” use with the microphone ¼ inch from the sound source. Normal bass response is experienced with working distances greater than 24 inches. Working close to the microphone will produce a more robust sound. Close up positioning of the microphone will also reduce the potential for feedback from the sound reinforcement system. When the bass-boost provides an increase in overall microphone output level. The mixer gain may be proportionately reduced, resulting in a reduction of the system’s sensitivity to feedback caused by sound entering the microphone from the loudspeakers.

Microphone Use and Placement

Please note that micing techniques are a matter of personal preference. These are merely guidelines to assist in the placement of the microphone to gain optimal performance.

Usage	Optimal Placement
Kick Drum	Remove drum head and damp with a pillow or blanket. Position the mic on the pillow or blanket a few inches in front of the drum beater. As an alternative, position the mic on a small boom stand with the mic extended into the drum and at a 90° angel to the drum beater.

Standard Placement & Use Guidelines

1. Always point the microphone at the desired source of sound, and away from any unwanted sources.
2. The microphone should be located close to the sound source to minimize interference from other potential sound sources.
3. Use the 3-to-1 rule when using multiple microphones. Place each microphone three times farther from other microphones as from the desired sound source.
4. Minimize over-handling of the microphone to reduce unwanted mechanical noise
5. Working close to the microphone will increase the bass tone and also provide increased gain-before-feedback.

Warranty

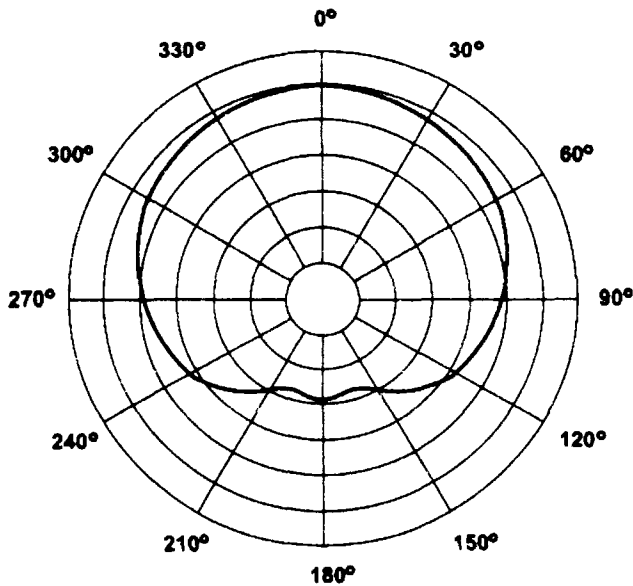
This product is guaranteed against malfunction from any cause for two (2) years from the date of original purchase. In addition, the Limited Warranty for the acoustic system contained in the microphone shall apply for the life of this product, defines as a period of ten (10) years from the date that the manufacture of this microphone model has been discontinued. Any and all active electronics incorporated in this microphone are guaranteed against malfunction due to material workmanship for a period of three (3) years from the date of original purchase. This Limited Warranty does not extend to cables, connectors, or switches.

For warranty service please call us at:

616-695-6831 or

1-800-234-6831

5 dB per division



N/D868 polar

N/D 868 Specifications

Frequency Response: 20-10,000 Hz

Polar Pattern: Cardioid variant

Impedance: 150 ohms balanced (low-Z)

Sensitivity:

Open Circuit Voltage: 1 mV/Pascal @ 1 kHz

Power Level: (0 dB=1mW/pascal) -51.7 dB @1 kHz

Microphone Connector 3-pin, XLR-type

Equivalent Output Noise 17 dB A weighted
(0 dB= 0.00002 pascal)

Polarity: Positive pressure on diaphragm causes positive voltage on pin 2 ref. pin 3

Materials:

Grille screen Memraflex™

Finish: Non-reflecting black

Case: Steel

Dimensions:

Length @ 5.22 in. (132.6 mm)

Diameter @ 2.36 in. (60 mm)

Shank @ 1.0 in. (25.4 mm)

Weight:

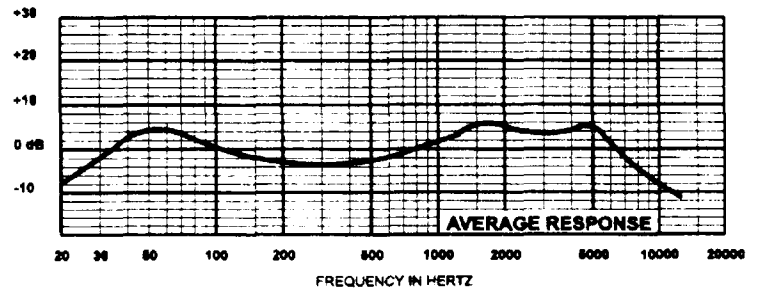
Net @ 10.4 oz (295 grams)

Shipping @ 26.5 oz (750 grams)

Accessories included:

320 stand clamp

Soft zippered 'gig' bag



N/D868 response

Part Number 535836



EVERYWHERE™

USA 990Aldrich Ave. S., Minneapolis, MN 55426/Phone: 612/894-4851/FAX: 612/894-0043
 Canada 706Progress Avenue, Unit 10, Scarborough, Ontario, M1H 2X1/Phone: 416-431-4875/FAX: 416-431-4668
 Switzerland Kalthausstrasse 1, CH-2063Pfäfers, Switzerland/Phone: 011-41722-331-95325/FAX: 011-41722-331-1221
 Germany Hirschberg Ring 45, D-94302, Schrobenhausen, Germany, Phone: 011-498421-70984/FAX: 011-498421-70285
 France Parc de Courcouronnes, 91040 Courcouronnes, France, Phone: 011-331-8480-03084/FAX: 011-331-8006-5103
 Australia Unit 23, South Business Estate, Berrimool, S.W. 2128, Australia/Phone: 011-6172-9848-34884/FAX: 011-6172-9848-5688
 HongKong Unit 8/F, 21/E, Luk Hop Industrial Bldg., 8 Luk Hop St., San Po Keng, Kowloon, HongKong, Phone: 011-852-2361-3828/FAX: 011-852-2361-3329
 Japan 2-5-40Kamae, Seijnishi-ku, Tokyo, Japan, 106, Phone: 011-81-3-3325-7802/FAX: 011-81-3-3325-7788
 Singapore Telex Corp. Pte Ltd, 3015 Albi Rd 1, #0510, Kranjong Ubi Industrial Estate, Singapore 408705/Phone: 011-86-746-8780/FAX: 011-86-746-1288
 Mexico Tecnología Especializada EDO S.A. de C.V., Av. Panteón Viejo #206, 20119, P. aereos, Neocatepec, Mexico, DF 53360/Phone: 011-5215358-8434/FAX: 011-5215358-8588