

W I R E D
MICROPHONE

N/D767a User Manual

The new N/D767a presents optimal performance in a live sound environment. The 767a vocal microphone utilizes EV's new VOB™ (vocally optimized bass) technology to provide the performer with reduced low-end distortion and eliminates the muddiness found in other microphones. Combined with EV's industry first neodymium based magnet structure, the new N/D767a offers the power and clarity to "cut through the mix."

- VOB™ technology provides tailored bass response for controlled "proximity effect" and exceptional vocal clarity
- Supercardioid pattern for superior feedback rejection and acoustic isolation.
- Multistage shock mount for unmatched low-handling noise.
- Neodymium based magnet structure provides greater sensitivity and signal-to-noise ratio.
- Warm Grip™ handle for more comfortable feel.

Operation

The low frequency response of the N/D767a microphone varies with the distance from the sound source. Known as "proximity effect," maximum bass response is produced in "close-up" use with the microphone ¼ inch from the sound source. Normal bass response is experienced with working distances greater than 24 inches. Working close to the microphone will produce a more robust sound. Close up positioning of the microphone will also reduce the potential for feedback from the sound reinforcement system. When close-talked, the bass-boost provides an increase in overall microphone output level. The mixer gain may be proportionately reduced, resulting in a reduction of the system's sensitivity to feedback caused by sound entering the microphone from the loudspeakers.

Microphone Use and Placement

Please note that micing techniques are a matter of personal preference. These are merely guidelines to assist in the placement of the microphone to gain optimal performance.

Usage	Optimal Placement
Vocals	Zero to six inches from the windscreen, and on axis with the microphone.
Spoken Word	Five to ten inches from the windscreen, and on axis with microphone.

Standard Placement & Use Guidelines

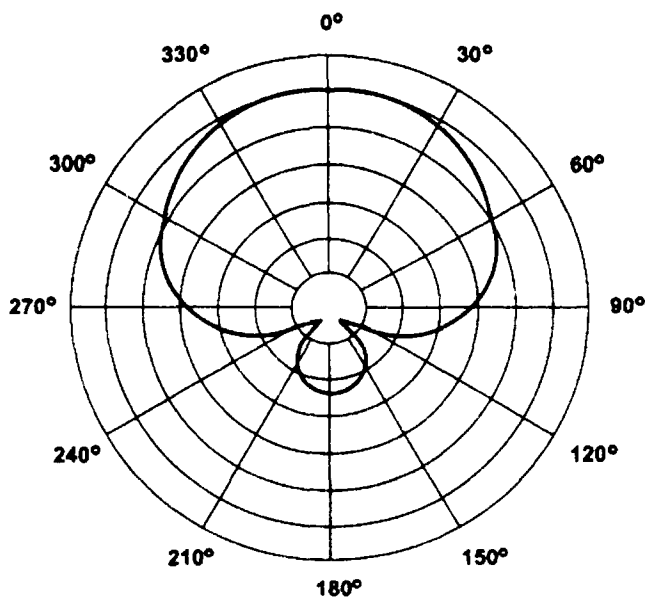
1. Always point the microphone at the desired source of sound, and away from any unwanted sources.
2. The microphone should be located close to the sound source to minimize interference from other potential sound sources.
3. Use the 3-to-1 rule when using multiple microphones. Place each microphone three times farther from other microphones as from the desired sound source.
4. Minimize over-handling of the microphone to reduce unwanted mechanical noise
5. Working close to the microphone will increase the bass tone and also provide increased gain-before-feedback.

Warranty

This product is guaranteed against malfunction from any cause for two (2) years from the date of original purchase. In addition, the Limited Warranty for the acoustic system contained in the microphone shall apply for the life of this product, defines as a period of ten (10) years from the date that the manufacture of this microphone model has been discontinued. Any and all active electronics incorporated in this microphone are guaranteed against malfunction due to material workmanship for a period of three (3) years from the date of original purchase. This Limited Warranty does not extend to cables, connectors, or switches.

For warranty service please call us at:

616-695-6831 or
1-800-234-6831



N/D767a Supercardioid
Polar 12-8-99

N/D767a Specifications

Element: Dynamic,
N/DYM[®] magnet structure

Frequency Response:

Close Response: 35Hz to 22kHz
Far Response: 70Hz to 22kHz

Polar Pattern: Supercardioid

Impedance: Low-Z balanced (300 Ohms)

Sensitivity:

Open Circuit Voltage: ... 3.1 mV/Pascal @ 1.0kHz
Power Level: (0 dB=1mW/pascal) -51 dB

Microphone Connector: 3-pin, XLR-type

Polarity: Pin 2 positive, referenced to pin 3
with positive pressure on diaphragm

Finish: Non-reflecting black

Materials:

Memraflex[™] grille screen
Warm-Grip[™] handle

Dimensions:

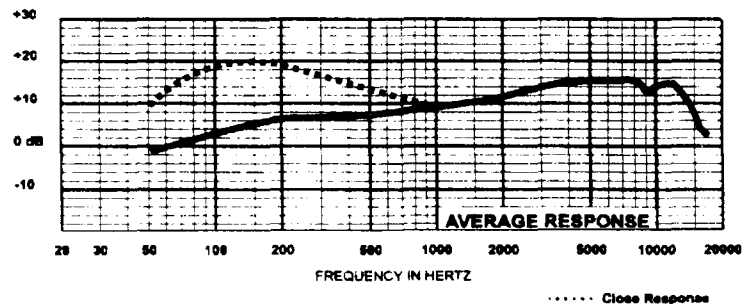
Length @ 7.1 in. (181 mm)
Diameter @ 21. In. (52 mm)
Shank @ 0.8 in. (20mm)

Weight:

Net @ 9.2 oz (260 grams)
Shipping @ 18.9 oz (535 grams)

Accessories included:

Stand adapter (black)
Soft zippered 'gig' bag



N/D767a

Part Number 535676



EVERYWHERE

USA 9800Ardic Ave. S., Minneapolis, MN 55420 Phone: 612/894-4051 FAX: 612/894-0043
Canada 708 Progress Avenue, Unit 10, Scarborough, Ontario, Canada, M1H 2K7 Phone: 416-431-4975 FAX: 416-431-4688
Switzerland Kehrstrasse 1, CH 2562 Pfäfers, Switzerland Phone: 011 41 32 331 8833 FAX: 011 41 32 331 1221
Germany Hirschbergstr. 46, D 94302 Straubing, Germany, Phone: 011 41 32 331 8833 FAX: 011 41 32 331 1221
France Parc de Courcouronnes, Luch, France, 91177 Brunoy, France, Phone: 011 33 1 64 80 00 00 FAX: 011 33 1 60 06 51 03
Australia Unit 23, Blough Business Estate, Silverdale Rd., S.W. 2128, Australia Phone: 011 61 2 8648 3466 FAX: 011 61 2 8648 5695
Hong Kong Unit 6/F, 21/F, Luk Hop Industrial Bldg., 8 Luk Hop St., Sai Po Keng, New Territories, Hong Kong, Phone: 011 852 2361 3828 FAX: 011 852 2351 3329
Japan 2-5-60 Izumi, Sugiyama-ku, Tokyo, Japan 108 Phone: 011 81 3 3325 7000 FAX: 011 81 3 3325 7789
Singapore Telex Centre Pte Ltd, 3016 Aljunied Rd., #05-10, Kompong Ubi Industrial Estate, Singapore 410705 Phone: 011 65 748-8780 FAX: 011 65 748-1208
Mexico Secretaría Especial de EDO, S. A. de C. V., Av. Parque Chapultepec, P.O. 201 EP, Argueta, Guatemala, Mexico, DF 53380 Phone: 011 52 5358 5434 FAX: 011 52 5358 6588