

W I R E D
M I C R O P H O N E

N/D167 User Manual

The N/D167's acoustic response presents optimal performance in a live sound environment. Experience the advanced technology of an Electro-Voice N/DYM® microphone, you won't settle for anything less. An innovative EV design harnesses the increased power of a neodymium based magnet design, allowing for dynamic, efficient microphone performance. The N/D167 offers power and clarity to "cut through the mix."

- Cardioid pattern for superior feedback rejection and acoustic isolation
- Neodymium based magnet structure provides greater sensitivity and signal-to-noise ratio.
- Warm Grip™ handle for more comfortable feel
- Comes with stand adapter and zippered "gig" bag.

Operation

The low frequency response of the N/D167 microphone varies with the distance from the sound source. Known as "proximity effect," maximum bass response is produced in "close-up" use with the microphone ¼ inch from the sound source. Normal bass response is experienced with working distances greater than 24 inches. Working close to the microphone will produce a more robust sound. Close up positioning of the microphone will also reduce the potential for feedback from the sound reinforcement system. When close-talked, the bass-boost provides an increase in overall microphone output level. The mixer gain may be proportionately reduced, resulting in a reduction of the system's sensitivity to feedback caused by sound entering the microphone from the loudspeakers.

Microphone Use and Placement

Please note that micing techniques are a matter of personal preference. These are merely guidelines to assist in the placement of the microphone to gain optimal performance.

Usage	Optimal Placement
Vocals	Zero to six inches from the windscreen, and on axis with the microphone.
Spoken Word	Five to ten inches from the windscreen, and on axis with microphone.

Standard Placement & Use Guidelines

1. Always point the microphone at the desired source of sound, and away from any unwanted sources.
2. The microphone should be located close to the sound source to minimize interference from other potential sound sources.
3. Use the 3-to-1 rule when using multiple microphones. Place each microphone three times farther from other microphones as from the desired sound source.
4. Minimize over-handling of the microphone to reduce unwanted mechanical noise
5. Working close to the microphone will increase the bass tone and also provide increased gain-before-feedback.

Warranty

This product is guaranteed against malfunction from any cause for two (2) years from the date of original purchase. In addition, the Limited Warranty for the acoustic system contained in the microphone shall apply for the life of this product, defines as a period of ten (10) years from the date that the manufacture of this microphone model has been discontinued. Any and all active electronics incorporated in this microphone are guaranteed against malfunction due to material workmanship for a period of three (3) years from the date of original purchase. This Limited Warranty does not extend to cables, connectors, or switches.

For warranty service please call us at:
616-695-6831 or
1-800-234-6831

N/D167 Specifications

Element: Dynamic,
N/DYM[®] magnet structure

Frequency Response:

Close Response: 50Hz to 12kHz

Far Response: 100Hz to 12kHz

Polar Pattern: Cardioid

Impedance: Low-Z balanced (600 Ohms)

Sensitivity:

Open Circuit Voltage: ... 2.3 mV/Pascal @ 1.0kHz

Power Level: (0 dB=1mW/pascal) -56.6 dB

Microphone Connector: 3-pin, XLR-type

Polarity: Pin 2 positive, referenced to pin 3
with positive pressure on diaphragm

Finish: Non-reflecting black

Materials:

Memraflex[™] grille screen

Warm-Grip[™] handle

Dimensions:

Length @ 7.12 in. (181 mm)

Diameter @ 2.05 in. (52 mm)

Shank @ 0.80 in. (20mm)

Weight:

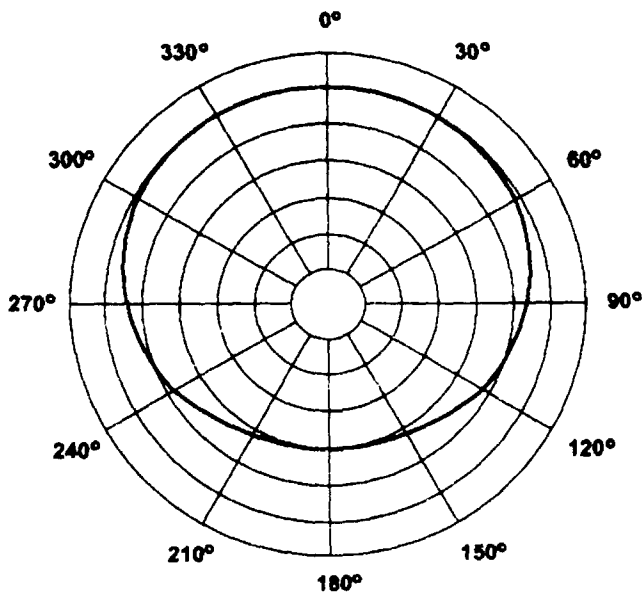
Net @ 8.4 oz (238 grams)

Shipping @ 18.2 oz (515 grams)

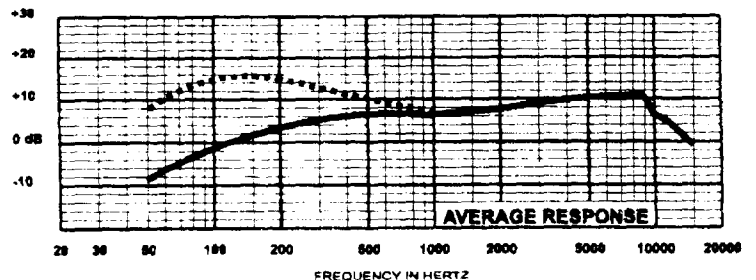
Accessories included:

Stand adapter (black)

Soft zippered 'gig' bag



N/D167



N/D167



EVERYWHERE

USA 8000Arich Ave. S. Minneapolis, MN 55420/Phone: 612/894-4061/FAX: 612/894-0043
Canada 700 Progress Avenue Unit 10, Scarborough, Ontario, Canada M1H 2X1/Phone: 416-431-4675/FAX: 416-431-4688
Switzerland Käthehofstrasse 1, CH-2503 BACH, Switzerland/Phone: 011-41-32-331-8833/FAX: 011-41-32-331-1221
Germany Hirschbergstrasse 46, D-94302 Straubing, Germany, Phone: 011-49-9421-7088/FAX: 011-49-9421-706288
France Parc de Courcouronnes, 45, D-94302 Straubing, France, Phone: 011-33-1-6480-0084/FAX: 011-33-1-6086-5103
Australia Unit 23, South Business Estate, Silverwater, N.S.W. 2128, Australia/Phone: 011-61-2-9646-3455/FAX: 011-61-2-9648-5585
HongKong Unit 8F, 21A, Luk Hop Industrial Bldg., 8 Luk Hop St., San Po Kong, Kowloon, HongKong, Phone: 011-852-2361-3828/FAX: 011-852-2361-3328
Japan 2-8-80 Zama, Sagami-Ku, Tokyo, Japan/Phone: 011-81-3-3325-7300/FAX: 011-81-3-3325-7796
Singapore Tekong Comm. Pr. 1st Fl., 301 E. Coast Rd., #08-10, Conquest, Singapore 408 705/Phone: 011-65-746-8780/FAX: 011-65-746-1208
Mexico Tecnologia Especializada S.A. de C.V., Av. Periferico Sur 408, 201, EIP, Mexico, Mexico DF 53360/Phone: 011-52-5368-8434/FAX: 011-52-5368-5688

Part Number 535661