



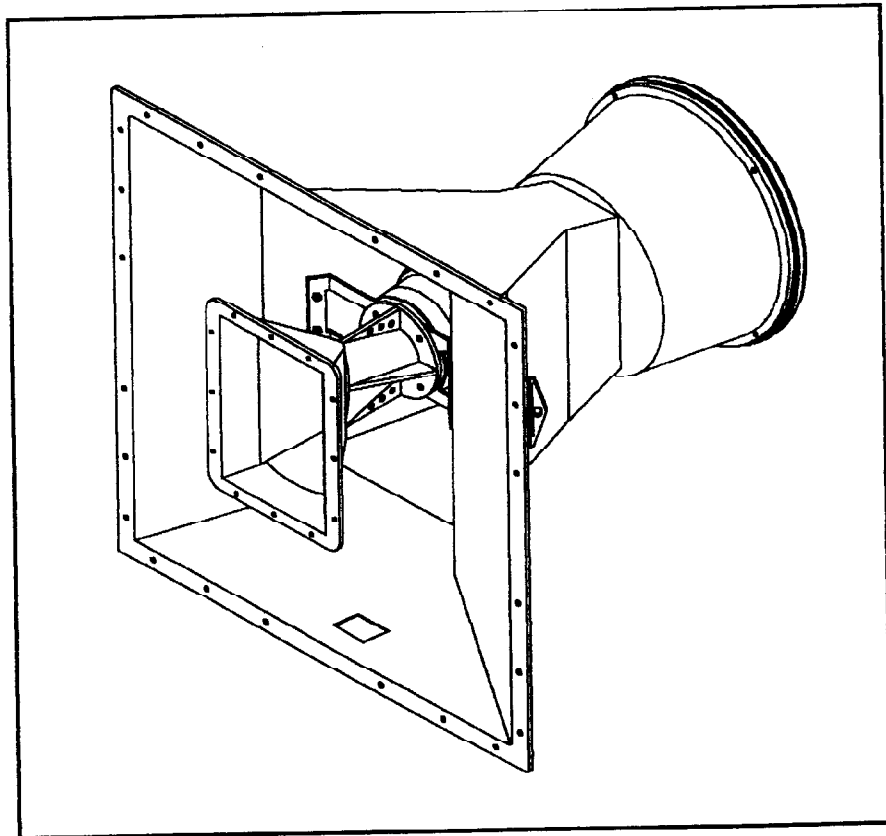
Electro-Voice®
TELEX/EVI Audio
600 Cecil Street
Buchanan, Michigan 49107
Phone: 616-695-6831
FAX: 616-695-4743

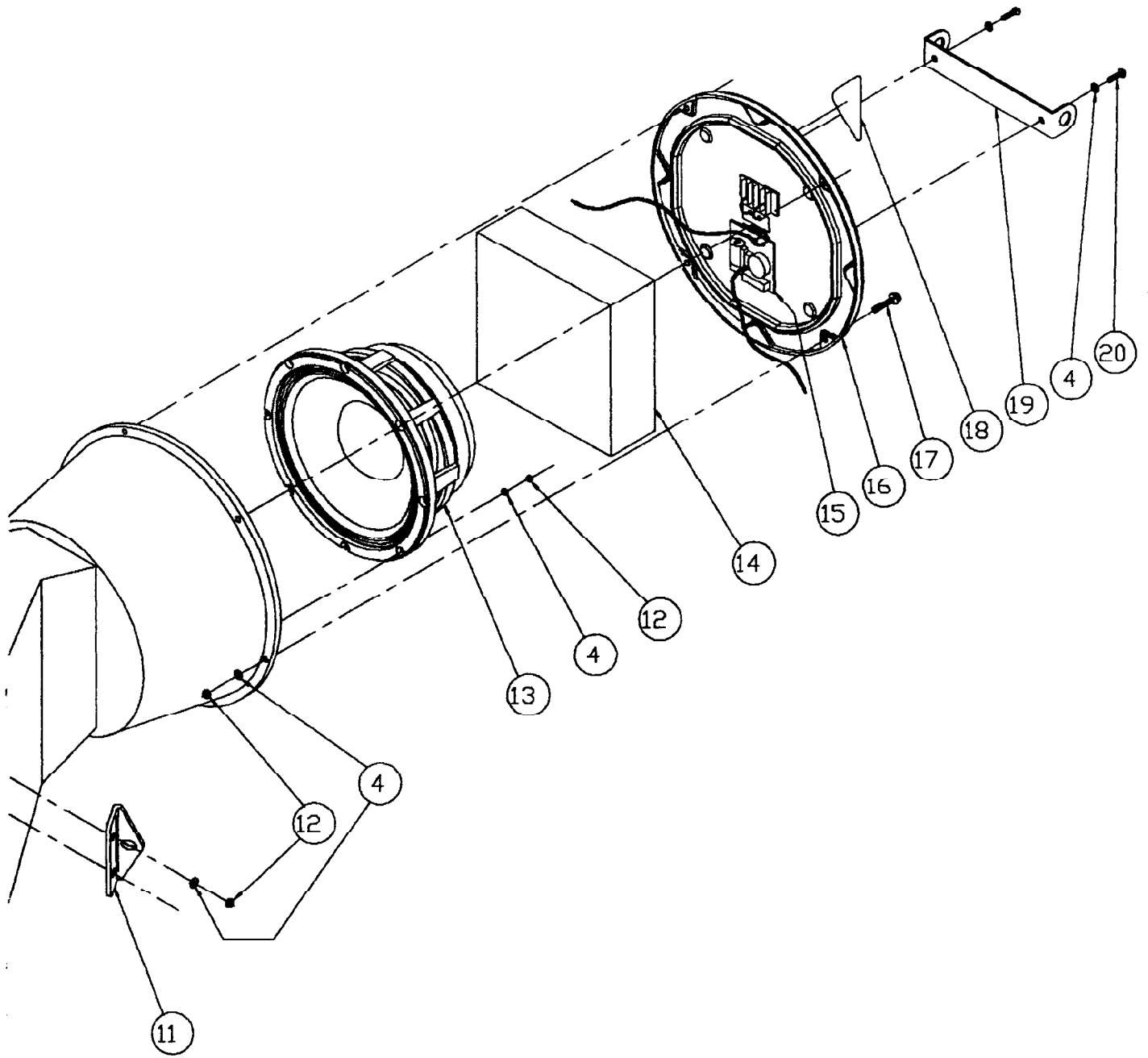
SERVICE DATA

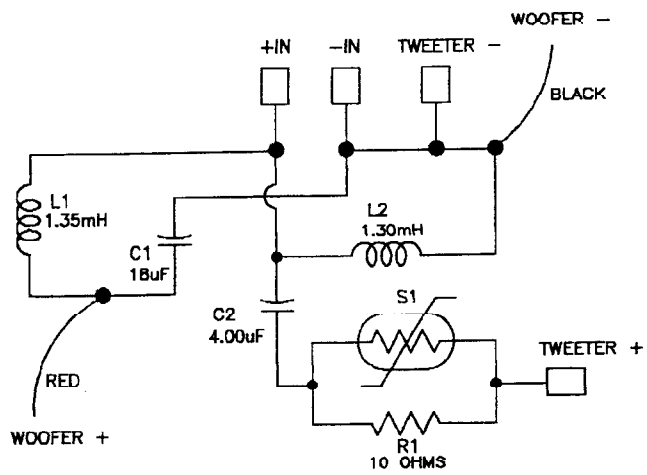
MH640P
(1102-3173)

MH660P
(1102-3174)

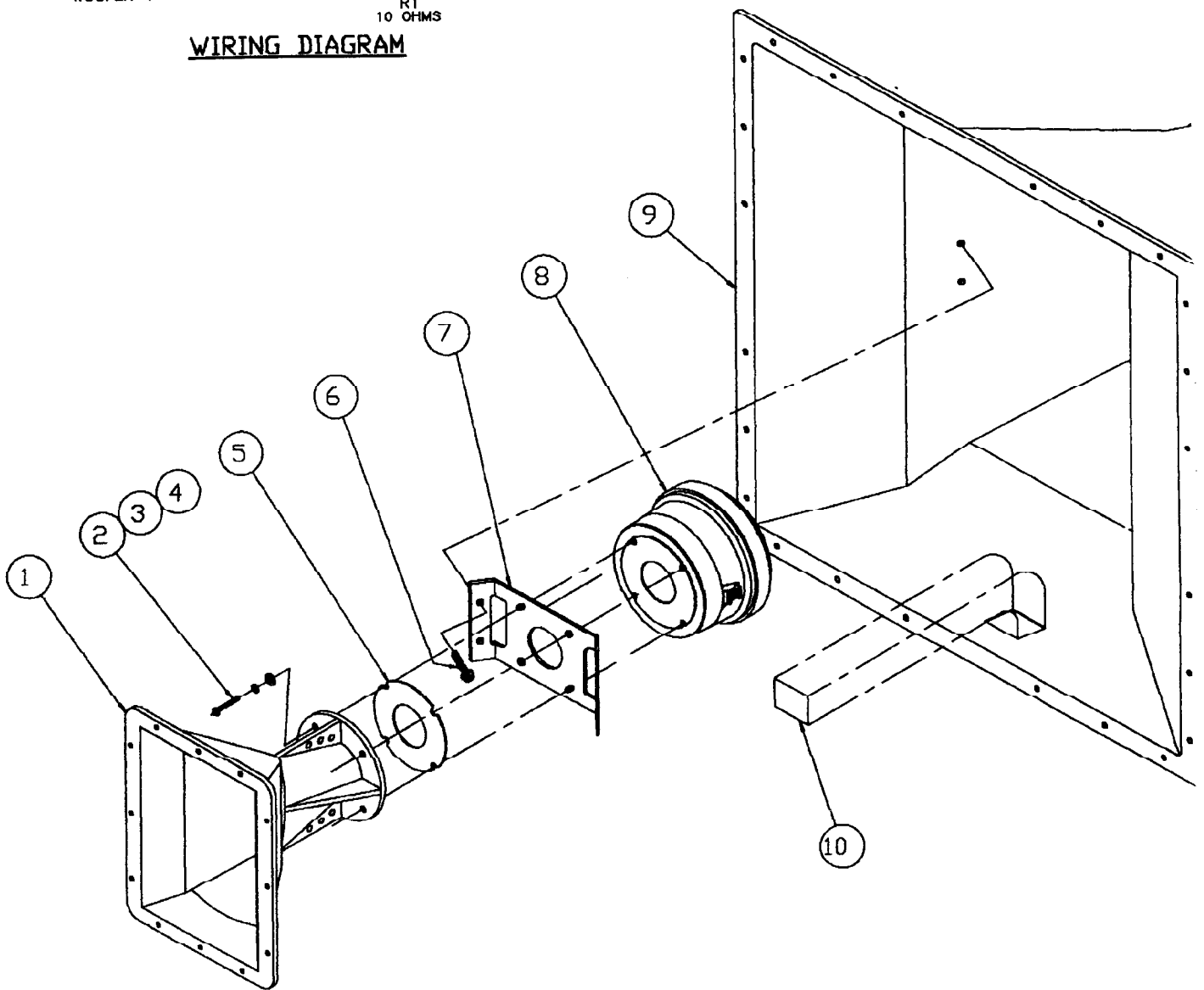
MH940P
(1102-3175)







WIRING DIAGRAM



PARTS LIST

QUANTITIES SHOWN ARE FOR ONE COMPLETE UNIT

ITEM	MH640P PART NO.	MH660P PART NO.	MH940P PART NO.	QTY.	DESCRIPTION
1	1891-993	1895-2395	1892 994	1	HORN, SMALL
2		63192 AE		4	SCR, 1/4-20 x 1 1/4, HEX HD, GD 5, STL
3		38669 AF		4	WASHER, .75 x .313 x .063, FLAT
4		3897 CP		16	WASHER, LOCK, 1/4 SPLIT RING
5		38724		1	GASKET, 4.25 x 1.96 x .03 T
6		63194 CP		4	SCR, 1/4-20 x 1", HEX WSHR HD, SLTD, GD. #5, BLK ZINC
7	71796 FG	71727 FG	71724 FG	1	BRACKET, MOUNTING
8		832-2349		1	DH2AS, SHORT NOISE, 8 OHM
9	83013	83124	83123	1	HORN S/A
10	532122	532190	532189	1	LABEL, FRONT
11		71812 FG		2	BRACKET, BACKING
12		20023 CP		12	NUT, 1/4-20, HEX, STL
13		810-1663		1	DL10X, WATERPROOF
14		72826		1	BATTING, FIBERGLAS, 12" x 12" x 4"
15		85182		1	CROSSOVER S/A
16		85189		1	COVER S/A (INCLUDES ITEM 15)
17		610220 K CP		4	SCR, 1/4-20 x 1 1/4, HEX HD
18	535223	535243	535244	1	LABEL, INPUT
19		71737		1	BRACKET, HANGING
20		63195 CP		2	SCR, 1/4-20 x 3/4, HEX WSHR HD, SLTD, GD. #5, BLK ZINC
CROSSOVER ITEM NO.'S				QTY.	DESCRIPTION
C1		85182-C1		1	18 uF ±10% 250 VOLT (MIN), 4.0 AMP, POLYESTER
C2		85182-C2		1	4.0 uF ±5% 250 VOLT (MIN), 3.0 AMP, POLYPROPYLENE
L1		85182-L1		1	1.35 mH ±5%. DCR < 0.45 OHMS,
L2		85182-L2		1	1.30 mH ±5%. DCR < 0.90 OHMS, AIR CORE (19 GA.)
R1		85182-R1		1	10 OHM, 20 WATT, 10%, SPACED OFF P.C. BOARD .25" MIN.
S1		56232		1	POLYSWITCH, RAYCHEM RXE 075