

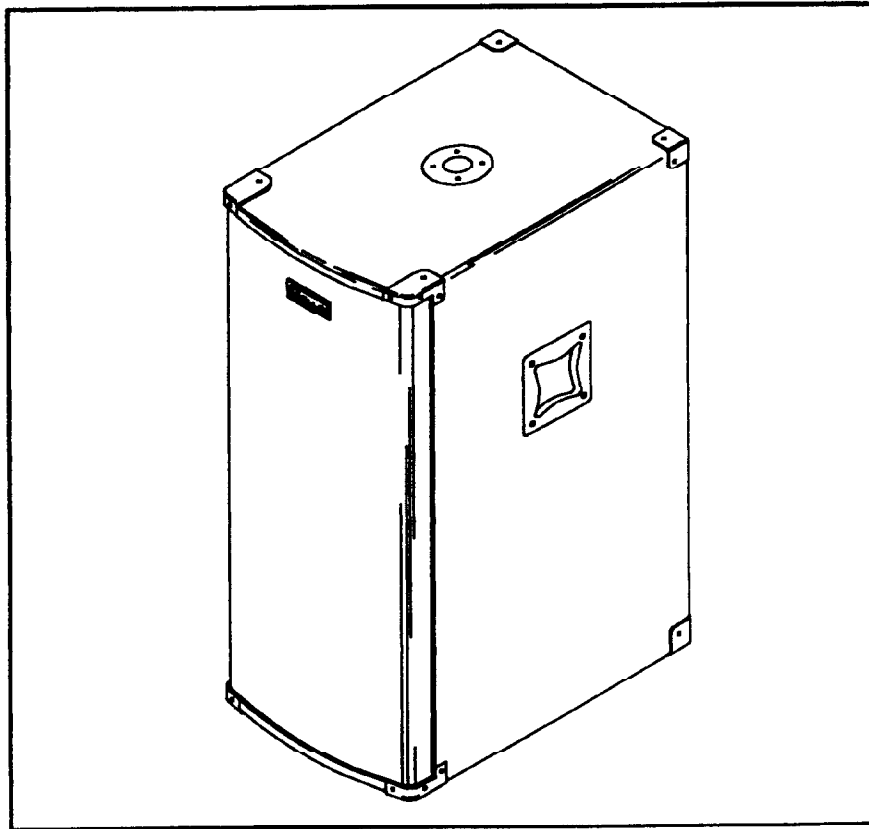


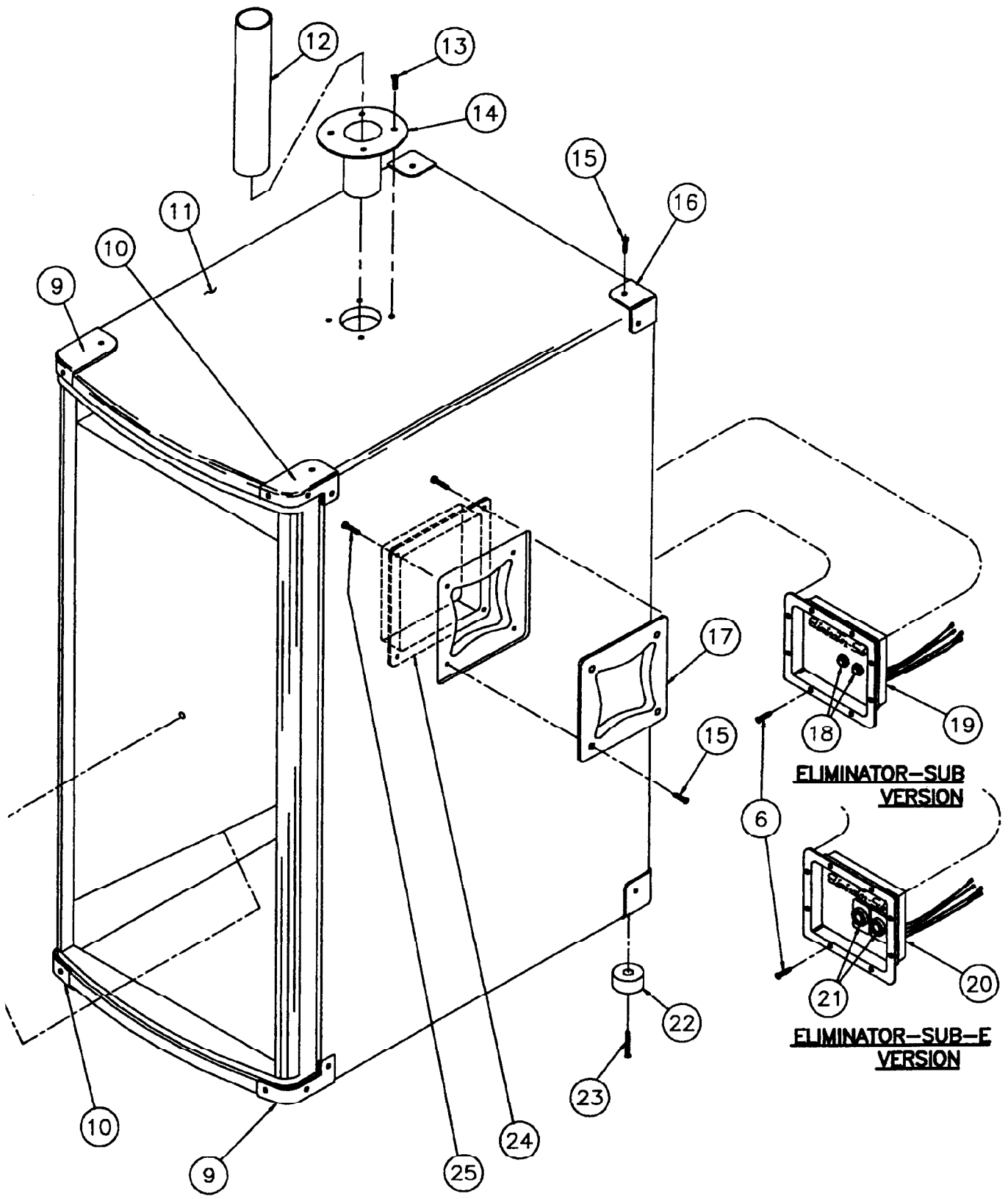
Electro-Voice®
TELEX/EVI Audio
600 Cecil Street
Buchanan, Michigan 49107
Phone: 616-695-6831
FAX: 616-695-4743

SERVICE DATA

ELIMINATOR-SUB (1151-3201)

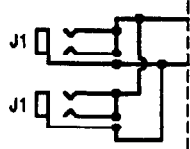
ELIMINATOR-SUB-E (1151-3202)



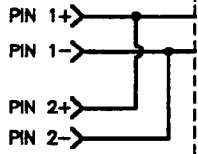


**ELIMINATOR-SUB
VERSION**

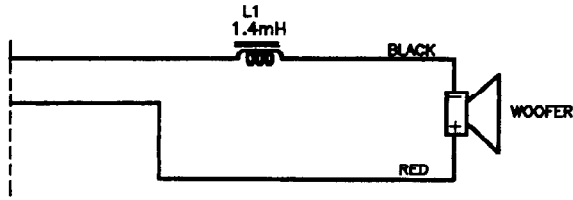
**ELIMINATOR-SUB-E
VERSION**



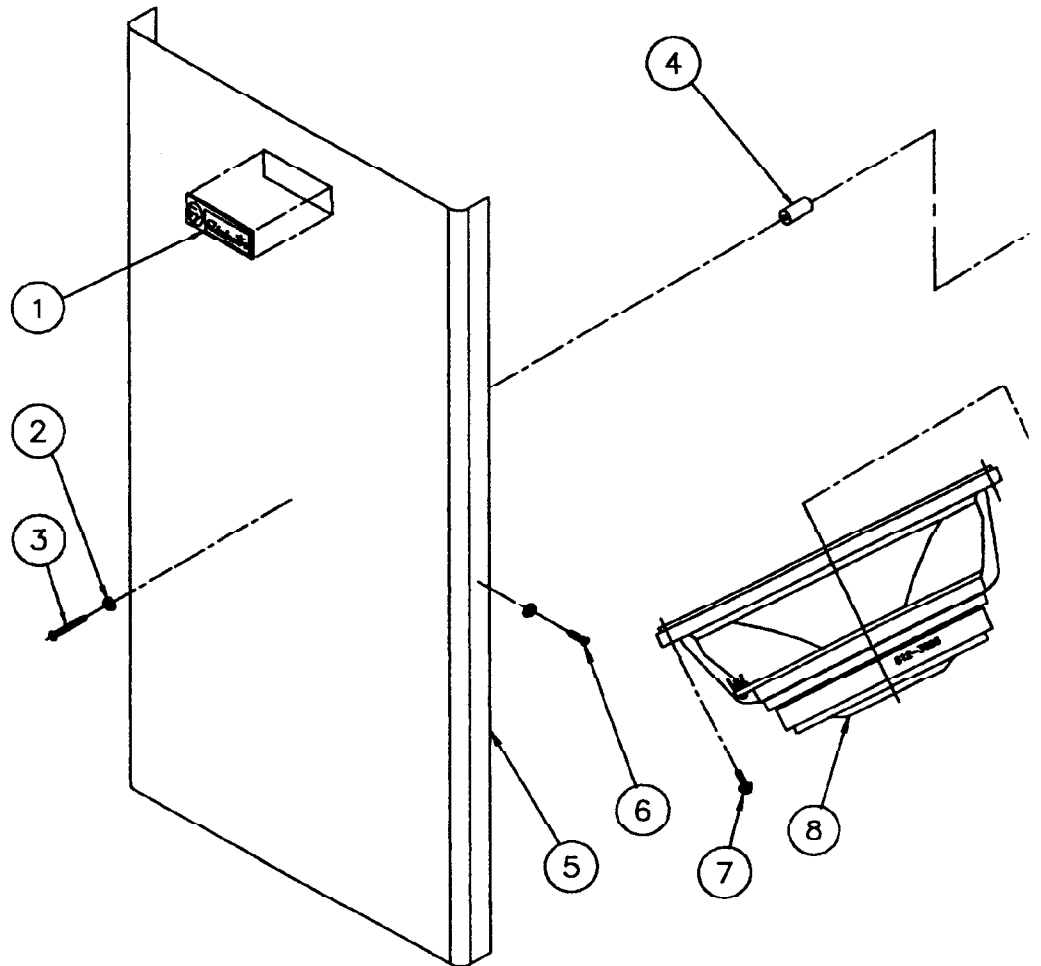
(ELIMINATOR-SUB VERSION)



(ELIMINATOR-SUB-E VERSION)



SCHEMATIC DIAGRAM



PARTS LIST

QUANTITIES SHOWN ARE FOR ONE COMPLETE UNIT

ITEM	PART NO.	QTY.	DESCRIPTION
1	49155	1	NAMEPLATE, ELIMINATOR
2	38768	11	WASHER, #8 C'SUNK, BLK. NYLON
3	63272 CP	1	SCREW, #8-15 x 1 1/2 IN. LG., OVL HD, XREC, WOOD
4	20543	1	SPACER, STAND-OFF
5	74080	1	GRILLE
6	63075 CP	18	SCREW, #8-15 x 3/4 IN. LG., OVL HD, XREC, TYPE A, BLK ZINC
7	63196 CP	6	SCREW, 1/4-20 x 1 1/2 IN. LG., SKT HD, CAP
8	818-3226	1	LOUDSPEAKER, 18"
9	74042	2	GUARD, CORNER, FRONT, LEFT TOP, BOTTOM RIGHT
10	74043	2	GUARD, CORNER, FRONT, RIGHT TOP, BOTTOM LEFT
11	85288	1	ENCLOSURE S/A
12	74089	1	POLE, STAND, 18" LG.
13	63340 CP	4	SCREW, #10-24 x 1 IN. LG., OVAL HD., XREC., STL., BLK. ZINC
14	73326	1	MOUNT, STAND, PENN #M1551
15	63054 CP	32	SCREW, #8-15 x 5/8 LG., PAN HD., XREC., BLK ZINC
16	74044	4	GUARD, CORNER, REAR
17	74040	2	INSERT, HAND HOLE
18	85292-J1	2	PHONE JACK, 1/4" ENCLOSED
19	85292	1	CROSSOVER S/A, ELIMINATOR (INCLUDES ITEM 18)
20	85289	1	PANEL, INPUT S/A, ELIMINATOR-E (INCLUDES ITEM 21)
21	17305	2	CONNECTOR, NEUTRIK NL4MP-R
22	28261	4	FOOT, RUBBER
23	63035 CP	4	SCREW, #10-16 x 1 IN. LG., PAN HD. XREC., STL., BLK. ZINC
24	73922	2	HANDLE BOX, INJ MOLED
25	63116 CP	8	SCREW, #8-15 x 1" LG, TRUSS HD, XREC., WOOD
CROSSOVER ITEM NO.'S			
L1	85292-L1/85289-L1	1	INDUCTOR, 1.4 mH, IRON CORE, 17 AWG