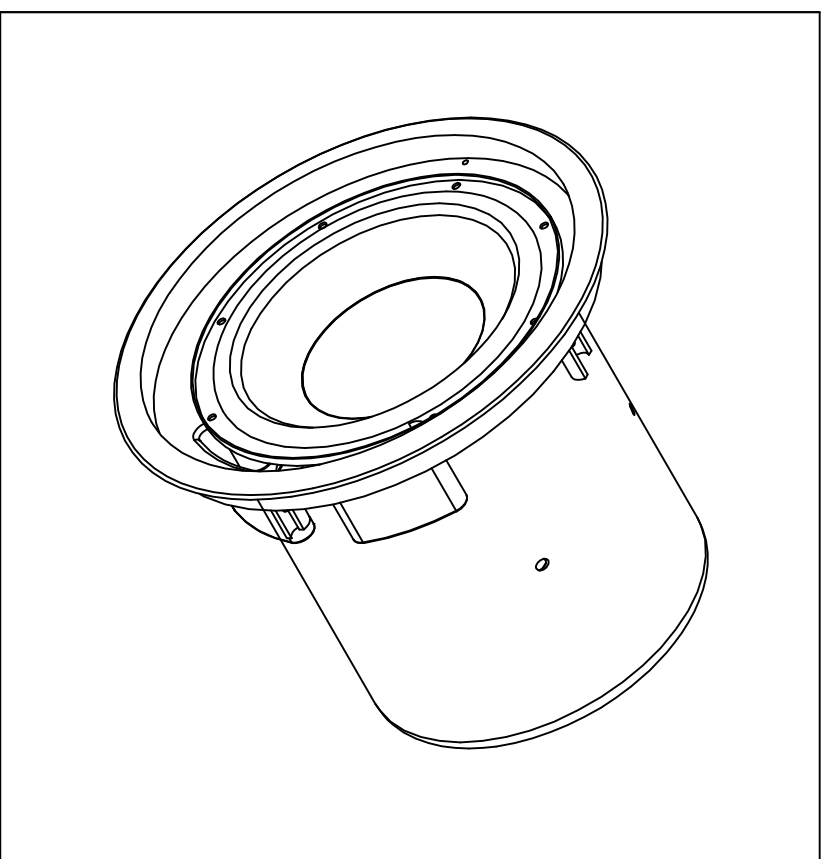


**Electro-Voice®**  
 TELEX/EVI Audio  
 1 Telex Drive  
 Morrilton, Arkansas 72110  
 Phone: 1-800-685-2606  
 FAX: 501-354-1118

# SERVICE DATA

## EVID C10.1

(301263-000)



### PARTS LIST

QUANTITIES SHOWN ARE FOR ONE COMPLETE UNIT, UNITS COME PACKAGED IN PAIRS

ITEM	EVID C10.1 301263-000 PART NO.	QTY.	DESCRIPTION
1	560208-000	1	ENCLOSURE S/A, EVID C10.1
2	560209-000	1	WOOFER, 10", EVID C10.1
3	560210-000	1	CROSSOVER S/A, WITH 60 W TRANSFORMER, EVID C10.1
4	560211-000	1	CROSSOVER S/A, EVID C10.1
5	559020-000	1	TRANSFORMER, 60W, EVID C10.1 AND C8.2HC
6	545095-000	1	TRANSFORMER SWITCH, EVID C10.1 AND C8.2HC
7	539173-000	1	CONNECTOR, REMOVABLE INPUT, PHOENIX TYPE, EVID CEILING SPEAKERS
8	500618-000	4	MOUNTING TABS, EVID CEILING SPEAKERS
9	581006-000	4	SCREW, M4 X 52MM, BLK ZINC
10	500648-000	1	TAP SELECTOR, TRANSFORMER SWITCH EVID C10.1 AND C8.2HC
11	581028-000	2	SCR, M4 X 10MM, ZINC CHROMATE
12	570206-000	1	LABEL, INPUT, EVID CEILING SPEAKERS
13	570211-000	1	LABEL, ENCLOSURE, EVID C10.1
14	500612-000	2	TILE RAIL, EVID CEILING SPEAKERS
15	500649-000	1	C-BRACKET, EVID C10.1, C8.2HC
16	560212-002	1	GRILLE S/A, EVID C10.1, C8.2HC
17	63371CP	8	SCR, 8-15 X 1/2, PAN HD, XREC, TYPE A, STL, BLK ZINC
18	581025-000	2	SCR, M4-0.7 X 25MM, ZINC CHROMATE
19	581026-000	5	SCR, M4-0.7 X 10MM, ZINC CHROMATE
20	581027-000	3	SCR, M4-0.7 X 18MM, ZINC CHROMATE
21	586004-000	5	NUT, M4-0.7, ZINC CHROMATE
22	3980AE	4	WASHER, #8, 7/16 X 3/16 X 3/64" (CHTD ON 3980)
23	584007-000	2	WASHER, RUBBER, .60" OD X .20" ID X .12" T, EVID CEILING SPEAKERS
ADHESIVES			
A	97207	LOCTITE "C" 24231 50 ML BTL	

**NOTES:**

???

# CROSSOVER SCHEMATIC

