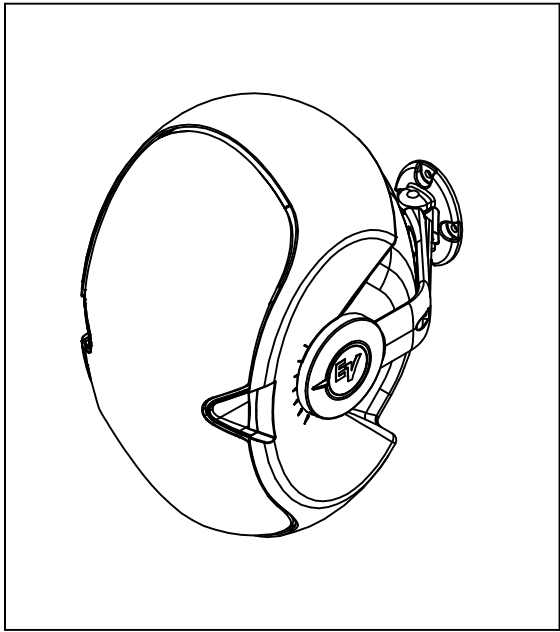




**ElectroVoice®**  
TELEX/EVI Audio  
600 Cecil Street  
Buchanan, Michigan 49107  
Phone: 616-695-6831  
FAX: 616-695-4743

# SERVICE DATA

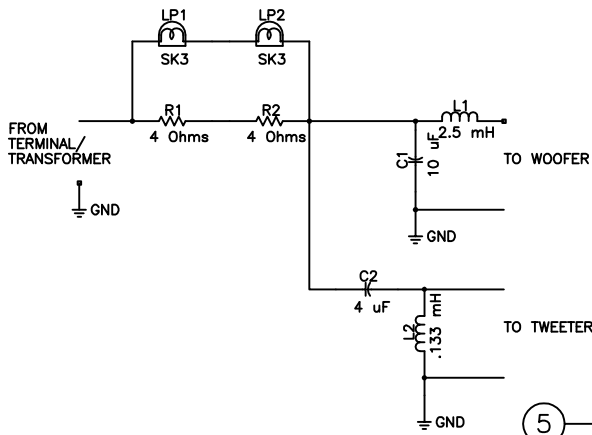
EVID 6.2, 6.2t  
(301047-001, 301047-002,  
301047-003, 301047-004)



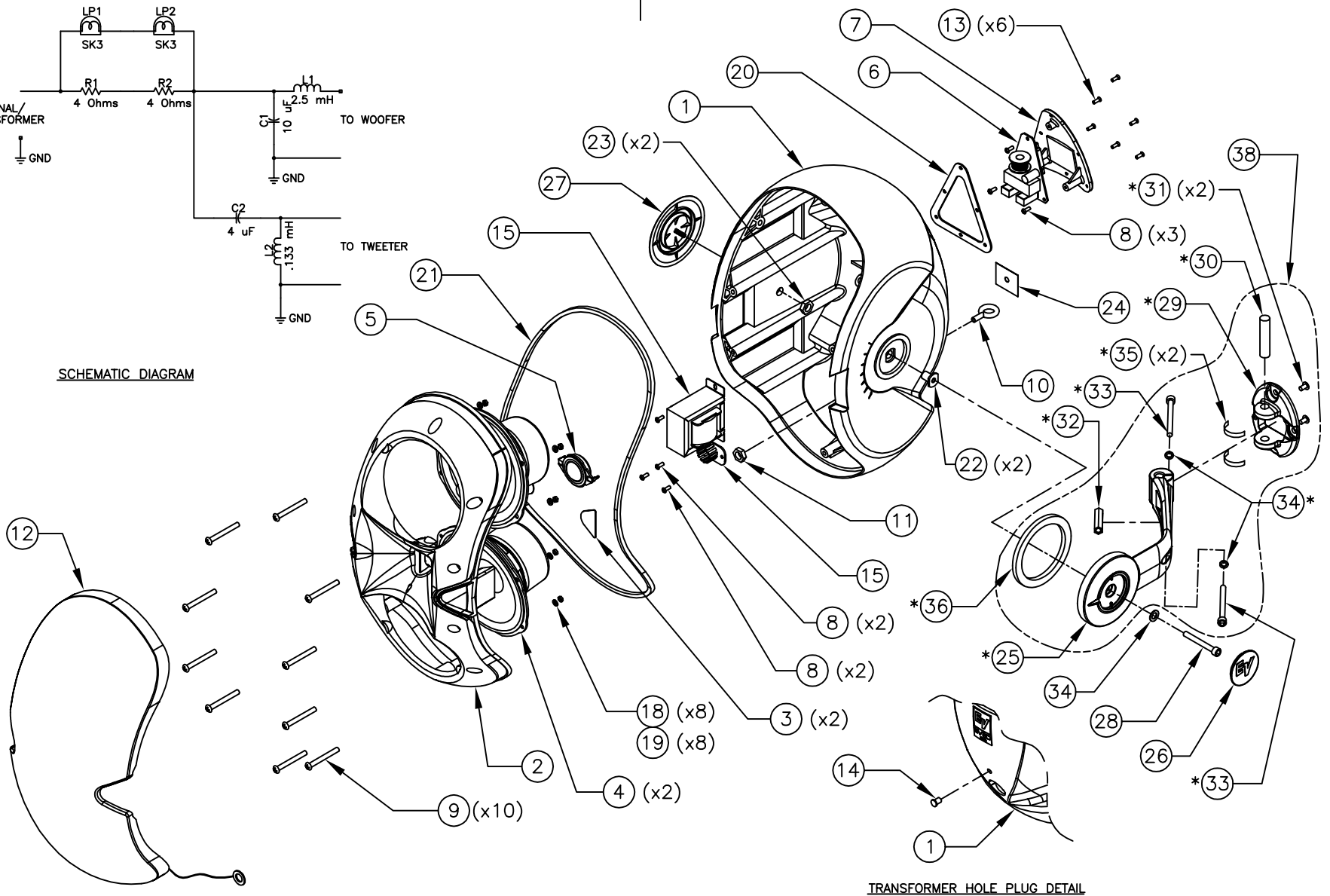
PARTS LIST						
QUANTITIES SHOWN ARE FOR ONE COMPLETE UNIT						
ITEM	PART NO.				QTY.	DESCRIPTION
	301047-001 BLACK, NO XFMR	301047-002 WHITE, NO XFMR	301047-003 BLACK, WITH XFMR	301047-004 WHITE, WITH XFMR		
1	701370-001	701370-002	701370-001	701370-002	1	ENCLOSURE, EVID 6.2
2	701373-001	701373-002	701373-001	701373-002	1	BAFFLE, EVID 6.2
3	500063-000				2	SCREEN
4	560042-000				2	6" WOOFER
5	560045-000				1	1" T1 TWEETER
6	800688-001	800688-001	800688-002	800688-002	1	CROSSOVER S/A
7	800739-001	800739-002	800739-001	800739-002	1	TERMINAL PLATE S/A
8	500067-000				7	SCR., #6 x 1/2", PAN HD, XREC, TYPE AB, BLK ZINC
9	500071-000				10	SCR., #12 x 1-3/4", PAN HD, XREC, TYPE AB, BLK ZINC
10	500074-000				1	EYEBOLT, M6, STAINLESS
11	500075-000				1	NUT, M6, STAINLESS
12	560052-001	560052-002	560052-001	560052-002	1	GRILLE S/A
13	500119-000				6	SCR., #6 x 5/8", FLT HD, XREC, TYPE AB, BLK ZINC
14	500120-001	500120-002	500120-001	500120-002	1	PLUG, TRANSFORMER HOLE
15	NONE		500055-000		1	70V/100V LINE MATCHING TRANSFORMER/SWITCH S/A, EVID 6.2
16	---				---	---
17	---				---	---
18	500129-000				8	NUT, M4, STAINLESS
19	500132-000				8	WASHER, M4, STAINLESS
20	500133-000				1	GASKET, TERMINAL PLATE
21	500134-000				1	GASKET, BAFFLE
22	500135-000				2	T-NUT, ARM MOUNT
23	500136-000				2	NUT, ARM MOUNT T-NUT
24	NONE		500193-000		1	LABEL, TRANSFORMER SETTINGS
25*	701364-001	701364-002	701364-001	701364-002	1	BRACKET ARM
26	701361-001	701361-002	701361-001	701361-002	1	LOGO CAP, BRACKET
27	701360-001	701360-002	701360-001	701360-002	1	LOGO CAP, ENCLOSURE
28	500171-000				1	SCR., M6 x 25mm, SKT HD, CAP, STAINLESS
29*	701367-001	701367-002	701367-001	701367-002	1	WALL MOUNT
30*	701380-000				1	PIN, WALL MOUNT
31*	500162-000				2	SET SCREW, SKT HD, CAP, M4 x 15mm, STAINLESS
32*	500163-000				1	HEX STANDOFF, M6 x 40mm, STAINLESS
33*	500046-110				2	SCREW, SOCKET HEAD, CAP, M6 x 65mm, DIN 912, STAINLESS
34*	500165-000				3	WASHER, M6, STAINLESS
35*	500167-000				2	LABEL, HORIZ. ANGLE
36*	500168-000				1	GASKET, FOAM, PSA
37	591197-002				1	ENCLOSURE FILL - NOT SHOWN
38	560049-001	560049-002	560049-001	560049-002	1	BRACKET ASSY, SAM, EVID 6.2

\* = PART OF ITEM 38

© TELEX/EVI Audio, 2001 Litho in U.S.A. Part Number 200000-022\_B 0206



SCHEMATIC DIAGRAM



TRANSFORMER HOLE PLUG DETAIL