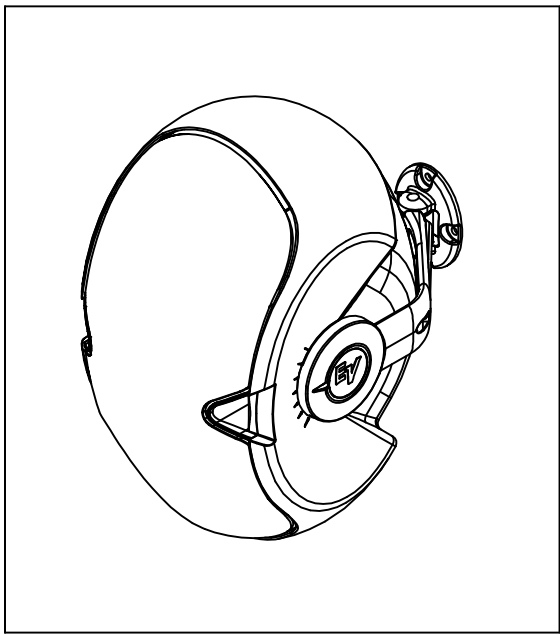




**ElectroVoice®**  
TELEX/EVI Audio  
600 Cecil Street  
Buchanan, Michigan 49107  
Phone: 616-695-6831  
FAX: 616-695-4743

# SERVICE DATA

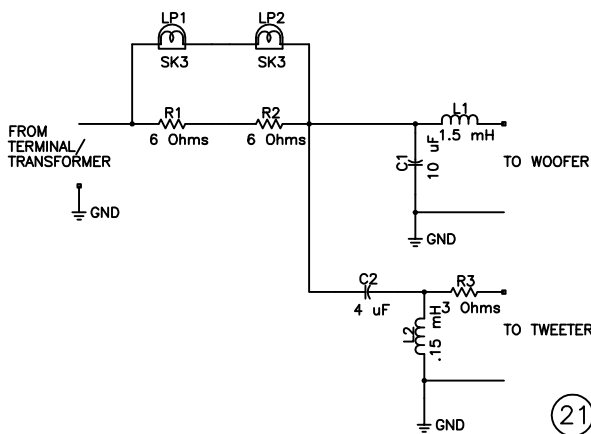
EVID 4.2, 4.2t  
(301046-001, 301046-002,  
301046-003, 301046-004)



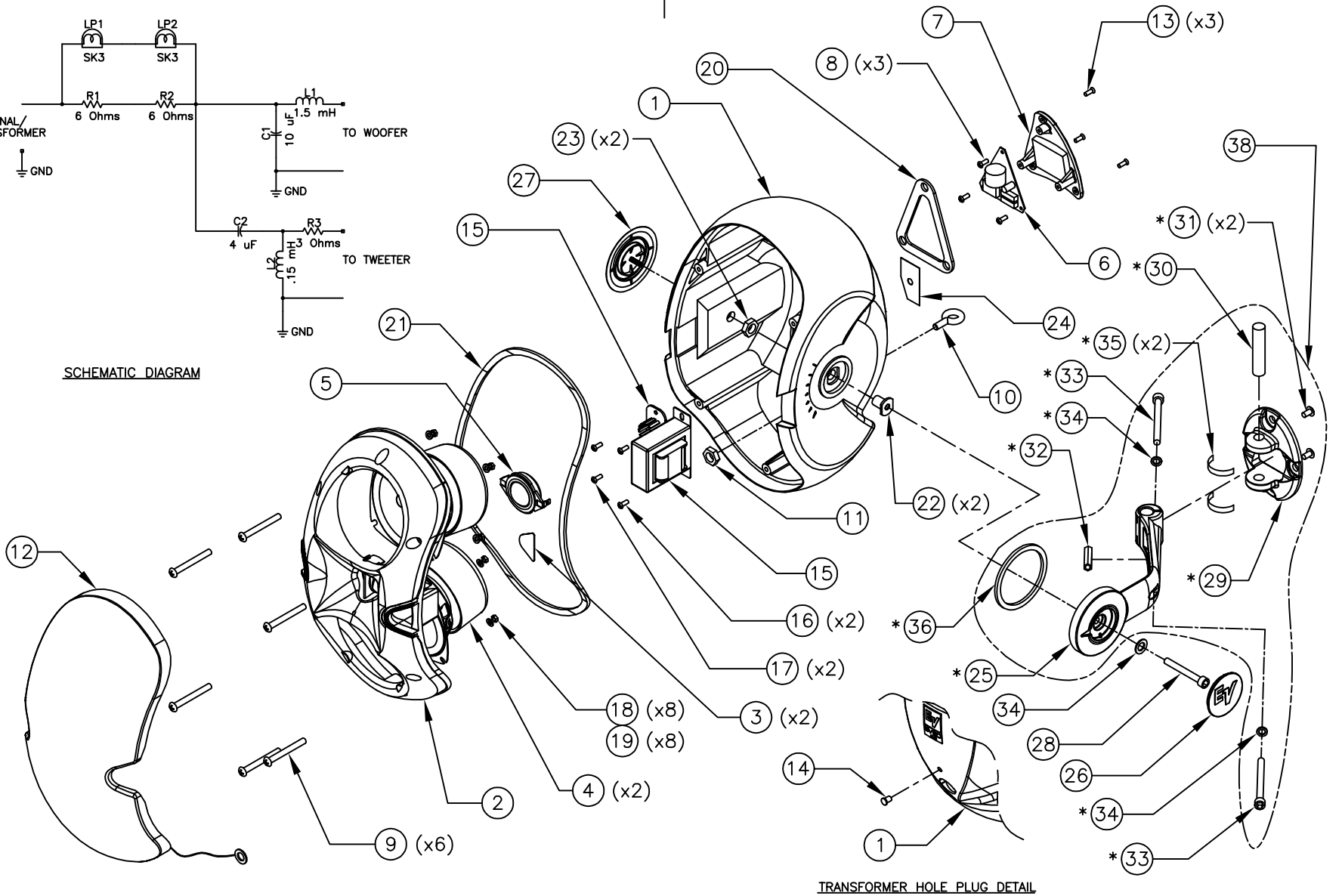
ITEM	PART NO.				QTY.	DESCRIPTION
	301046-001 BLACK, NO XFMR	301046-002 WHITE, NO XFMR	301046-003 BLACK, WITH XFMR	301046-004 WHITE, WITH XFMR		
1	701369-001	701369-002	701369-001	701369-002	1	ENCLOSURE, EVID 4.2
2	701372-001	701372-002	701372-001	701372-002	1	BAFFLE, EVID 4.2
3		500205-000			2	SCREEN
4		560041-000			2	4" WOOFER
5		560045-000			1	1" T1 TWEETER
6	800687-001	800687-001	800687-002	800687-002	1	CROSSOVER S/A
7	800740-001	800740-002	800740-001	800740-002	1	TERMINAL PLATE S/A
8		500067-000			7	SCR., #6 x 1/2", PAN HD, XREC, TYPE AB, BLK ZINC
9		500195-000			6	SCR., #10 x 1-1/2", PAN HD, XREC, TYPE AB, BLK ZINC
10		500196-000			1	EYEBOLT, M6, STAINLESS
11		500075-000			1	NUT, M6, STAINLESS
12	560051-001	560051-002	560051-001	560051-002	1	GRILLE S/A
13		500119-000			3	SCR., #6 x 5/8", FLT HD, XREC, TYPE AB, BLK ZINC
14	500120-001	500120-002	500120-001	500120-002	1	PLUG, TRANSFORMER HOLE
15		NONE		500054-000	1	70V/100V LINE MATCHING TRANSFORMER/SWITCH S/A, EVID 4.2
16						---
17						---
18		500129-000			8	NUT, M4, STAINLESS
19		500132-000			8	WASHER, M4, STAINLESS
20		500198-000			1	GASKET, TERMINAL PLATE
21		500199-000			1	GASKET, BAFFLE
22		500200-000			2	T-NUT, ARM MOUNT
23		500136-000			2	NUT, ARM MOUNT T-NUT
24		NONE		500218-000	1	LABEL, TRANSFORMER SETTINGS
25*	701363-001	701363-002	701363-001	701363-002	1	BRACKET ARM
26	701359-001	701359-002	701359-001	701359-002	1	LOGO CAP, BRACKET
27	701358-001	701358-002	701358-001	701358-002	1	LOGO CAP, ENCLOSURE
28		500209-000			1	SCR., M5 x 20mm, SKT HD, CAP, STAINLESS
29*	701366-001	701366-002	701366-001	701366-002	1	WALL MOUNT
30*		701379-000			1	PIN, WALL MOUNT
31*		500162-000			2	SET SCREW, SKT HD, CAP, M4 x 15mm, STAINLESS
32*		500204-000			1	HEX STANDOFF, M5 x 30mm, STAINLESS
33*		500046-075			2	SCREW, SOCKET HEAD, CAP, M5 x 30mm, DIN 912, STAINLESS
34*		500206-000			3	WASHER, M5
35*		500207-000			2	LABEL, HORIZ. ANGLE
36*		500208-000			1	GASKET, FOAM, PSA
37		591197-001			1	ENCLOSURE FILL - NOT SHOWN
38	560048-001	560048-002	560048-001	560048-002	1	BRACKET ASSY, SAM, EVID 4.2

\* = PART OF ITEM 38

© TELEX/EVI Audio, 2001 Litho in U.S.A. Part Number 200000-023\_B 0206



SCHEMATIC DIAGRAM



TRANSFORMER HOLE PLUG DETAIL