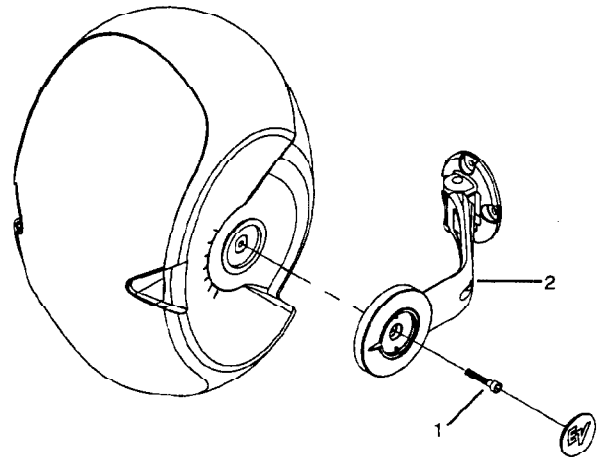


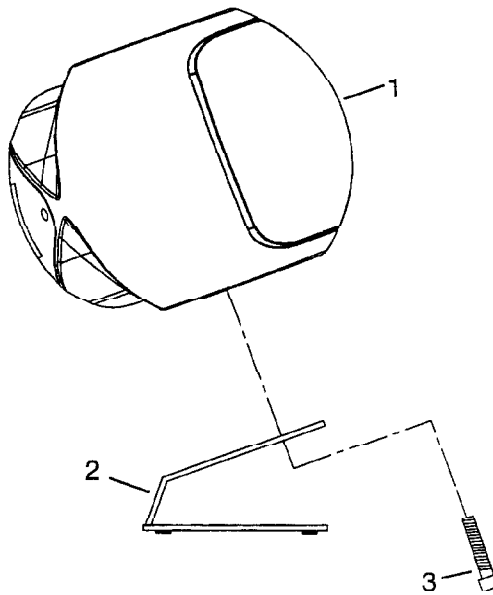


For Use with EVID Models 3.2 and 4.2

1. Remove Speaker and Wall Mount Bracket
 - a. Remove Screw (1) from Speaker Bracket (2)



2. Attach EVID Speaker (1) to HS Series Stand (2) using the screw removed from step 1



12000 Portland Avenue South, Burnsville, MN 55337
Phone: 952/884-4051, Fax: 952/884-0043

www.electrovoice.com

© Telex Communications, Inc. 10/2001

U.S.A. and Canada only. For customer orders,
contact the Customer Service department at
800/392-3497 Fax: 800/955-6831

Europe, Africa and Middle East only. For customer orders,
contact the Customer Service department at
49 9421-706 0 Fax: 49 9421-706 265

For warranty information, contact the Service Repair department at:
616/695-6831 or 800/685-2606

For technical assistance, contact Technical Support at:
866/78AUDIO

Specifications subject to change without notice.