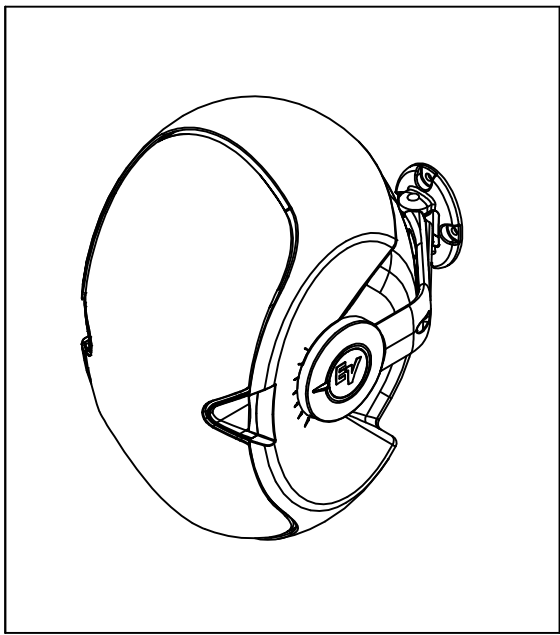




ElectroVoice®
TELEX/EVI Audio
600 Cecil Street
Buchanan, Michigan 49107
Phone: 616-695-6831
FAX: 616-695-4743

SERVICE DATA

EVID 3.2, 3.2t
(301045-001, 301045-002,
301045-003, 301045-004)



PARTS LIST						
QUANTITIES SHOWN ARE FOR ONE COMPLETE UNIT						
ITEM	PART NO.				QTY.	DESCRIPTION
	301045-001 BLACK, NO XFMR	301045-002 WHITE, NO XFMR	301045-003 BLACK, WITH XFMR	301045-004 WHITE, WITH XFMR		
1	701368-001	701368-002	701368-001	701368-002	1	ENCLOSURE, EVID 3.2
2	701371-001	701371-002	701371-001	701371-002	1	BAFFLE, EVID 3.2
3		500221-000			2	SCREEN
4		560040-000			2	3.5" WOOFER
5		560044-000			1	.75" TI TWEETER
6	800686-001	800686-001	800686-002	800686-002	1	CROSSOVER S/A
7	701074-001	701074-002	701074-001	701074-002	1	TWEETER MOUNT
8		---			---	---
9	701375-001	701375-002	701375-001	701375-002	1	TERMINAL PLATE
10		500067-000			9	SCR., #6 x 1/2", PAN HD, XREC, TYPE AB, BLK ZINC
11		500222-000			6	SCR., #6 x 1-1/4", PAN HD, XREC, TYPE AB, BLK ZINC
12		500223-000			1	EYEBOLT, M4, STAINLESS
13		---			---	---
14	560050-001	560050-002	560050-001	560050-002	1	GRILLE S/A
15		500119-000			3	SCR., #6 x 5/8", FLT HD, XREC, TYPE AB, BLK ZINC
16		NONE		500053-000	1	TRANSFORMER S/A
17		---			---	---
18		500129-000			9	NUT, M4, STAINLESS
19*		500132-000			11	WASHER, M4, STAINLESS
20		500226-000			1	GASKET, TERMINAL PLATE
21		500227-000			1	GASKET, BAFFLE
22		500228-000			1	GASKET, TWEETER MOUNT
23		500229-000			2	T-NUT, ARM MOUNT
24		500231-000			2	NUT, ARM MOUNT T-NUT
25*	701362-001	701362-002	701362-001	701362-002	1	BRACKET ARM
26	701357-001	701357-002	701357-001	701357-002	1	LOGO CAP, BRACKET
27	701356-001	701356-002	701356-001	701356-002	1	LOGO CAP, ENCLOSURE
28		---			---	---
29	701474-001	701474-002	701474-001	701474-002	2	PORT EXTENSION
30*	701365-001	701365-002	701365-001	701365-002	1	WALL MOUNT
31*		701378-000			1	PIN, WALL MOUNT
32*		500162-000			3	SCR., SKT HD, CAP, M4 x 15mm, STAINLESS
33*		500234-000			1	HEX STANDOFF, M4 x 20mm
34*		500046-039			2	SCREW, SOCKET HEAD, CAP, M4 x 40mm, DIN 912, STAINLESS
35		---			---	---
36*		500236-000			2	LABEL, HORIZ. ANGLE
37*		500237-000			1	GASKET, FOAM, PSA
38		570151-000			1	LABEL, TRANSFORMER SETTINGS
39	560047-001	560047-002	560047-001	560047-002	1	BRACKET ASSEMBLY, SAM, EVID 3.2

* = PART OF ITEM 39

© TELEX/EVI Audio, 2001 Litho in U.S.A. Part Number 200000-024_B 0206

