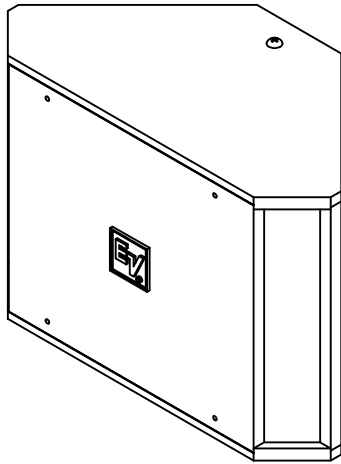




Electro-Voice®
TELEX/EVI Audio
600 Cecil Street
Buchanan, Michigan 49107
Phone: 616-695-6831
FAX: 616-695-4743

SERVICE DATA

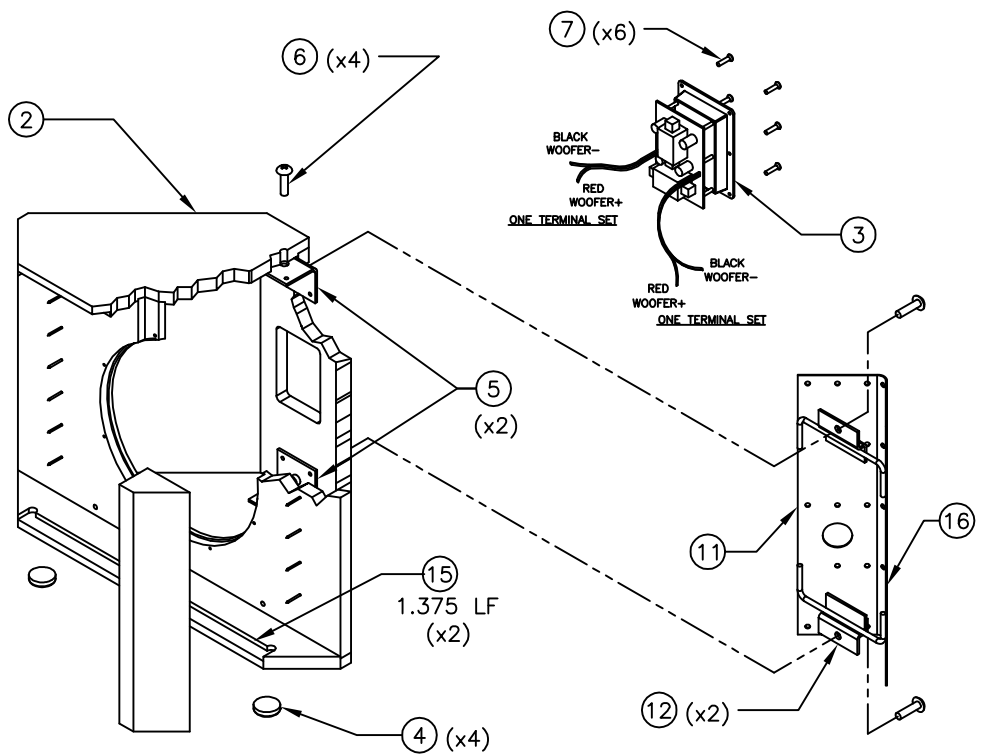
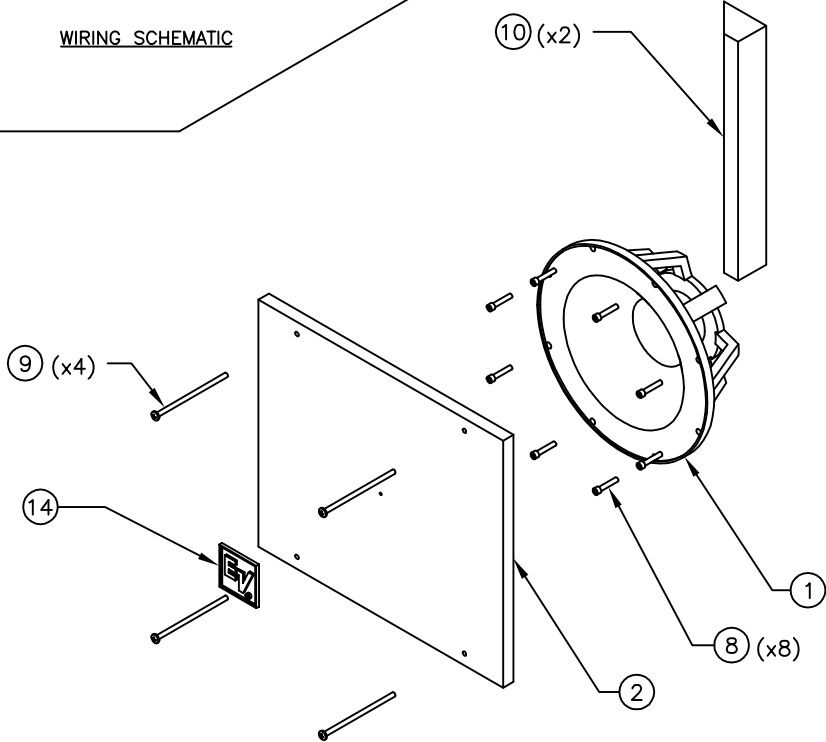
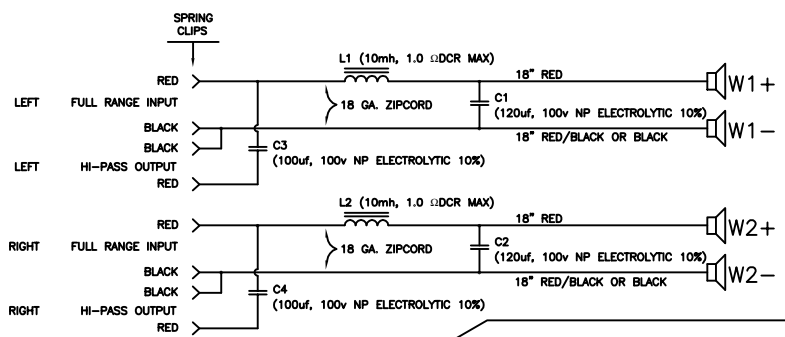
EVID 12.1
(301048-001 BLACK)
(301048-002 WHITE)



PARTS LIST				
QUANTITIES SHOWN ARE FOR ONE COMPLETE UNIT				
ITEM	PART NO.		QTY.	DESCRIPTION
	301048-001 BLACK FINISH	301048-002 WHITE FINISH		
1	560058-000		1	WOOFER, 12", EVID, (EMINENCE)
2	800654-001	800654-002	1	ENCL S/A, EVID 12.1
3	560057-000		1	INPUT PANEL/XOVER S/A
4	591114-000		4	FOOT, RUBBER, SELF-ADHESIVE, .375 THK x .88 DIA. 3M #SJ-5009
5	74453-CP		2	BRACKET, HANGING, BLK ZINC
6	617220-M-CP		4	SCR, 3/8-16 X 1-1/2, TRS HD, XREC, STL, BLK ZINC
7	63075-CP		6	SCR, 8-15 X 3/4, OVL HD, XREC, TYPE A, STL
8	62957-CP		8	SCR, 8-18 X 1, PAN HD, XREC, TYPE AB, BLK-ZINC
9	591095-000		4	SCREW, 1/4-20 X 3 1/2" XREC TRUSS HEAD MACH. SCREW BLK. ZN.
10	591064-000		2	FOAM, GRILLE INSERT
11	591092-001	591092-002	1	BRACKET, CORNER
12	591093-001	591093-002	2	CLIP BRACKET, LATCHING
13	20499		1	EYEBOLT, 3/8", DROP FORGED 1-1/4" LG. (NOT SHOWN)
14	49141		1	NAMEPLATE, EV LOGO, 2", WHT ON BLK, W/STUD
15	28358		2.75LF	TAPE, FOAM, .25 X .063THK, CLSD CELL, BLK MYLAR
16	500252-000		1	LABEL, WARNING, EVID MOUNTING

NOTE: ITEM 13 PACKAGED UNASSEMBLED.

TELEX/EVI Audio, 2001 Litho in U.S.A. Part Number 200000-043 0144



NOTE: ITEM 16 TO BE ATTACHED TO ITEM 11.

