

EVID[®] Series Speakers

EV Innovative Design



What is EVID “EV Innovative Design”

EVID is a background/foreground speaker solution for nearly any environment.

EVID Provides:

- ◆ Design Innovation
- ◆ Flexibility – Each surface mount and ceiling model tailored for specific applications.
- ◆ Performance – Exceptional audio performance breaking new ground.
- ◆ Value – Actually save the contractor money over less expensive component ceiling speaker options.



EVID[®] Ceiling Speaker Systems



EVID Meets Any Challenge!

EVID[®] Ceiling Systems Meet Any Challenge!

- ◆ Reverberant spaces? - No Problem
- ◆ High SPL foreground music being played? - No Problem
- ◆ Wide bandwidth audio needed? - No Problem
- ◆ Subtle, unobtrusive installation needed? - No Problem

EVID[®] Ceiling Systems Meet Any Challenge!

- ◆ Fast and simple installation required? -
No Problem
- ◆ Does the listening space have 20-25
foot high ceilings? - No Problem

**Every one of these challenges is
made to order for the new EVID
ceiling speaker system line.**

EVID “Innovation” in Ceiling Speaker Systems

The key features common with all the EVID ceiling models are:

- ◆ Acoustically matched to the EVID surface mount speaker line.
- ◆ Model for model the EVID line has superior performance to competing brands.
- ◆ Meets UL and NFPA regulations for air handling spaces.
- ◆ Regardless of the acoustic and esthetic requirements there is an EVID ceiling monitor system to fit the requirements.

EVID "Innovation" in Ceiling Speaker Systems

More key features:

- ◆ Either 70v/100v or 8 ohm operation is standard on every model. No need to buy or stock special versions!
- ◆ Titanium coated tweeters
- ◆ Full bandwidth overload protection standard in both 70v/100v and low impedance operating modes!
- ◆ All installation accessories commonly needed for most jobs are included!

More Highlights for All Models

- ◆ Ideally suited for use with the CPS series or EV Commercial amplifiers
- ◆ Hundreds of installation configurations are possible.
- ◆ Easy to use multi-point mounting system
- ◆ Simple and secure installation
- ◆ Improves profitability by reducing labor.

High Quality Transformers

- ◆ Cheap transformers are THE biggest problem with most distributed speakers
 - They “saturate” at LF’s (<100 Hz), load down the line, & create MF & HF distortion!
- ◆ How do EVID transformers compare?
 - Much less low-frequency saturation
 - Impedance is stable to 40Hz
 - They sound great!



EVID[®] Ceiling Speaker Models

Our Success Continues!

EVID C4.2 – 4" Two-way

- ◆ Compact powerhouse.
- ◆ Waveguide coupled tweeter for uniform coverage.
- ◆ Outstanding bandwidth for it's size.
- ◆ Ideal where broad coverage and good response is needed.



EVID C8.2 – 8" Two-way

- ◆ Wide bandwidth audio – Far Superior to conventional ceiling speaker systems.
- ◆ Exceptional bass response.
- ◆ Waveguide coupled tweeter for smooth controlled high end.
- ◆ Great for higher level foreground audio applications in sports bars, trend setting retail stores, etc.



EVID C8.2HC – Waveguide Coupled 8" Two-way

- ◆ Unique **Patent Pending** ported, waveguide coupled system
- ◆ Especially designed where controlled coverage is a must.
- ◆ Ideal for high ceiling environments
- ◆ Great in Shopping Malls, Gymnasiums, Auditoriums, Airports etc.



EVID C10.1 -- 10" Compact Dual Ported Subwoofer

- ◆ Outstanding extended bass response
- ◆ High Power Handling
- ◆ Dual Port design gives extended smooth low end performance.
- ◆ High power 60w transformer standard for 70v/100v applications
- ◆ Rugged construction & Flexible installation





EVID[®] Surface Mount Speakers

Design Innovation

EVID[®] Surface Mount Speaker Systems

◆ “Compact surface-mount speakers for foreground and background music applications”

- Indoor/outdoor capable
- Easy to install
- Affordable
- Directional
- Overload protected



EVID[®] Surface Mount Models

◆ EVID 3.2 – Dual 3.5" LF

- ◆ Compact powerhouse
- ◆ Handles 150 watts!
- ◆ Great in Bars & Retail spaces



◆ EVID 4.2 – Dual 4" LF

- ◆ Full range sound
- ◆ CCW[™] Waveguide coupled tweeter for smooth controlled hi end.
- ◆ Handles 200 watts!



EVID[®] Surface Mount Models

◆ EVID 6.2 – Dual 6" LF

- Full range audio
- 300 Watt power handling!
- Ideal as sound support in stadiums theme parks etc.



◆ EVID 12.1 - 12" Dual Input Subwoofer

- Outstanding extended bass response
- Rugged construction & Flexible installation



EVID[®] 3.2, 4.2 & 6.2 Features

- ◆ Available in Black and White
- ◆ Paintable -- To match any decor
- ◆ Fully “Weatherized”
 - Specially treated woofers
 - Titanium tweeters with Neodymium magnet structures.

Fully “Weatherized”

The EVID 3.2, 4.2 and 6.2 all are designed for outdoor operation

- Mil Std 810 & IEC “Splashproof”
- Passed salt spray test in accordance with ASTM B117-97
- Passed ASTM-G53 UV exposure tests.
- Passed 48 hour Humidity tests
- Passed 48 hour low/high temperature cycling tests.

More Features . . .

- ◆ 4.2 and 6.2 feature CCW™ Waveguide coupled horns $80^\circ \times 100^\circ$.
- ◆ Provides wide and controllable pattern.
- ◆ Dynamic overload protection.
- ◆ Ultra wide "Swing and Rotation" for precise positioning.
 - 45° from center "Swing"
 - 45° from center "Rotation"

Still More Features . . .

- ◆ Available in low impedance and constant voltage versions:
 - Low-Z is 8-ohm, not 4-ohm.
 - ◆ Can hook up more speakers.
 - High quality transformers for 70V/100V distributed lines.
 - 8 ohm models have extremely high power handling.

Smooth Low End Response

- ◆ The three dimensional elliptic baffle symmetrically locates the high frequency element in front of, and between the low frequency drivers. This careful shaping, location, and 10° splaying of the LF units provides coverage control by the resulting line array. Lobing is controlled by physically “shadowing” the LF transducers from each other over the bandwidth they would normally exhibit interference.

The EVID *"Coherent Coverage Waveguide"*

The EVID 4.2 and 6.2 feature a CCW™ horn loaded tweeter design.

- The specially designed waveguide used in the EVID 6.2 and 4.2 give controlled coverage without adding distortion.
- It's size, shape and depth are optimized for crossover transition, linear response on and off axis, and even coverage over a 80° x 100° pattern.

SAM™ Mounting System

- ◆ Unique Strong-Arm-Mount™ multi-axis mounting system
- ◆ Simple and secure installation
- ◆ All models have mount and hex wrench included.
- ◆ Improves profitability by reducing labor.

EVID[®] Surface Mount Transformer Versions

◆ EVID[®] 6.2t & 4.2t Multiple Taps

- 4.2t: 30w, 15w, 7.5w & 3.25w
- 6.2t: 60w, 30w, 15w & 7.5w
- Same model for either 70V or 100V:
 - ◆ Rotary switch and tap guide on back of speaker

◆ EVID[®] 3.2t

- Single tap 5W/70V and 10W/100V

EVID[®] 12.1 Sub

- ◆ 12" LF Transducer
- ◆ Dual 8 ohm voice coils
 - Run Stereo OR Mono
- ◆ Superior performance
 - 12" woofer provides extended low end!
- ◆ Unique Multi-use mounting bracket included allows for mid-wall or corner mounting.



EVID[®] 12.1 Sub

◆ High-pass satellite outputs

- Reduces distortion by removing LF's from satellites.
- Separating frequency bands allows more satellite speakers on the amp line.

◆ Sensitivity: 100 dB (1W, 1m)

◆ Power Handling: 175/175 Watt Program Power

EVID[®] "Subwoofer/Satellite Systems"

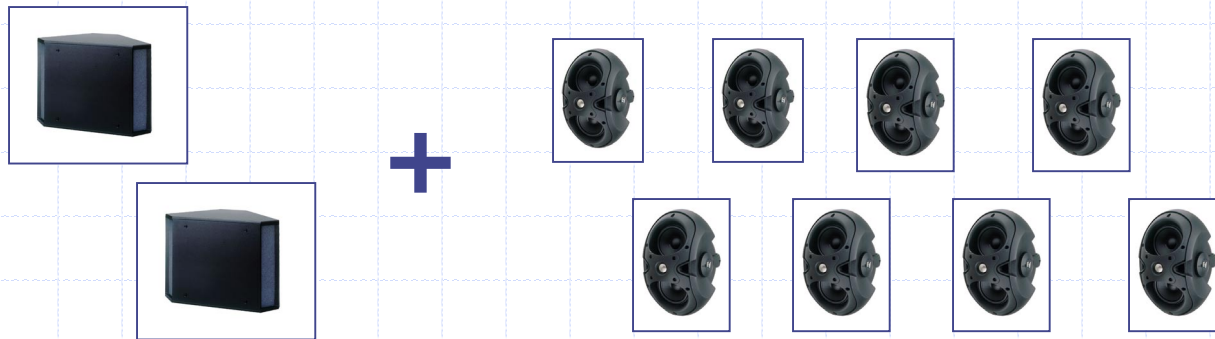
- ◆ True High-Fidelity Music System
- ◆ Amazing output level!
- ◆ Better bass definition and less "speech masking" allows easier conversations
- ◆ (4) 3.2 and (1) 12.1 Combo delivers!
 - 40Hz - 22kHz Response
 - Covers up to 6000 sq ft (550 m²)!!

Typical System Combinations

System Combination #2:

(8) - EVID 4.2's plus (2) - EVID 12.1's

Use the system for up to 10000 sq ft!,
(900 m²) or use in multiples.

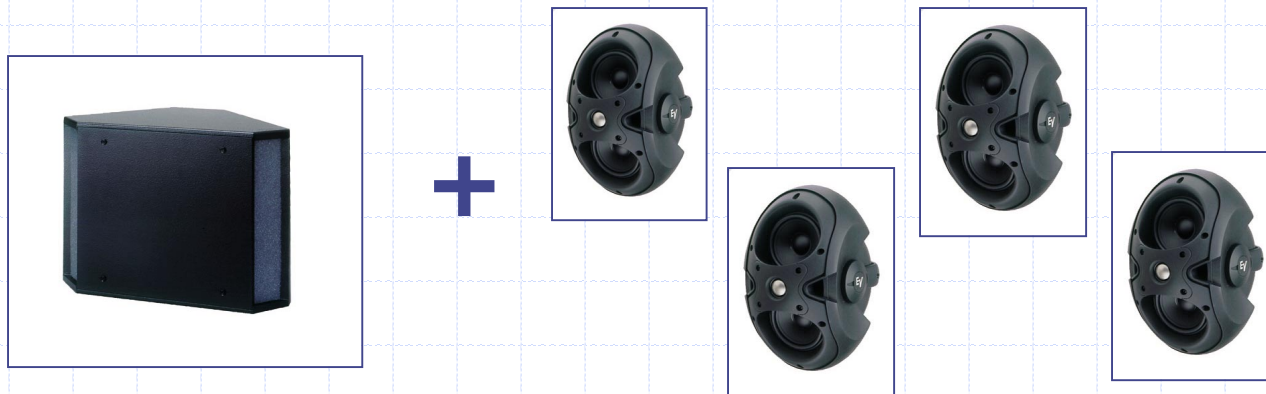


Typical System Combinations

System Combination #1:

(4) - EVID 3.2's plus (1) - EVID 12.1

Use one system for up to 6000 sq ft!,
(550 m2) or use in multiples.



EVID[®] Surface Mount Review

◆ EVID[®] 3.2, 4.2 & 6.2 Features:

- Black & white versions, paintable cabinets
- Outdoor capable
- Directional – Bracket markings allow for precise speaker positioning
- Overload protected
- SAM bracket system provides security and flexibility

EVID[®] Review (cont.)

- ◆ The EVID[®] Philosophy
- ◆ Transformer Versions
- ◆ 12.1 Sub & System Packages

EVID Surface Mount Accessories

- ◆ A full offering of accessories add to the flexibility of the whole line.
- ◆ Desk stands, array brackets, terminal covers and microphone stand adapters give the installer/designer many new ways and places to mount or position EVID speakers.

AB Series Array Brackets

- ◆ Available in 2 or 4 speaker configurations.
- ◆ Flexible installation options allow for wall, pole or threaded rod mounting.



Desktop Stands

- ◆ Desktop stands are available for any EVID model.
- ◆ Both horizontal (HS Series) and vertical (VS Series) configurations are available



Terminal Covers

- ◆ Terminal covers for the EVID 4.2 and 6.2 models protect the rear input panel from moisture and debris.



Mic Stand Adapter Set

- ◆ The MA-3 microphone stand adapter set allows the EVID 3.2 to be used on a boom mic stand as shown or mounted on a standard mic stand.



EVID[®] Series Target Markets

- ◆ Restaurants
- ◆ Background Audio
- ◆ Pubs
- ◆ Patios
- ◆ Professional Offices
- ◆ Paging
- ◆ Stadium Balconies
- ◆ Transportation Centers



EVID[®] Series Target Markets

- ◆ Health Clubs
- ◆ Theme Parks
- ◆ Family Fun/Leisure Centers
- ◆ Foreground Audio
- ◆ Commercial Buildings
- ◆ Cruise Ships
- ◆ Houses of Worship
- ◆ Upscale Retailers





EVID[®] Series