



Electro-Voice®

a MARK IV company

600 Cecil Street
Buchanan, Michigan 49107
Phone: 616-695-6831
FAX: 616-695-1304

SERVICE DATA

DH Tweeter Series, Ferrofluid Filled Drivers Repair Kits

DH2305	833-0638	81014XX	TITANIUM	NONE	1	SPRING
DH2010	833-0922	81397XX	TITANIUM	NONE	1	SPRING
DH1202-16	833-0547	89796XX	PHENOLIC	1	2	BLADE
DH1202	833-0519	89588XX	PHENOLIC	1	1	BLADE
DH1202	833-0750	89588XX	PHENOLIC	1	1	BLADE
DH1202	833-0341	89588XX	PHENOLIC	1	1	BLADE
DH2001	833-0699	89858XX	TITANIUM	NONE	1	BLADE
DH2001	833-0581	* 89858XX	TITANIUM	NONE	1	BLADE
DH2001	833-0917	* 89858XX	TITANIUM	NONE	1	BLADE
DH2001	833-0894	* 89858XX	TITANIUM	NONE	1	BLADE
CATALOG ID	MODEL AND SPEC.	REPAIR KIT NUMBER	DIAPHRAGM MATERIAL	GASKET QUANTITY	FERROFLUID KIT QUANTITY	TERMINAL TYPE
ITEM #	-	1	-	2	A	-

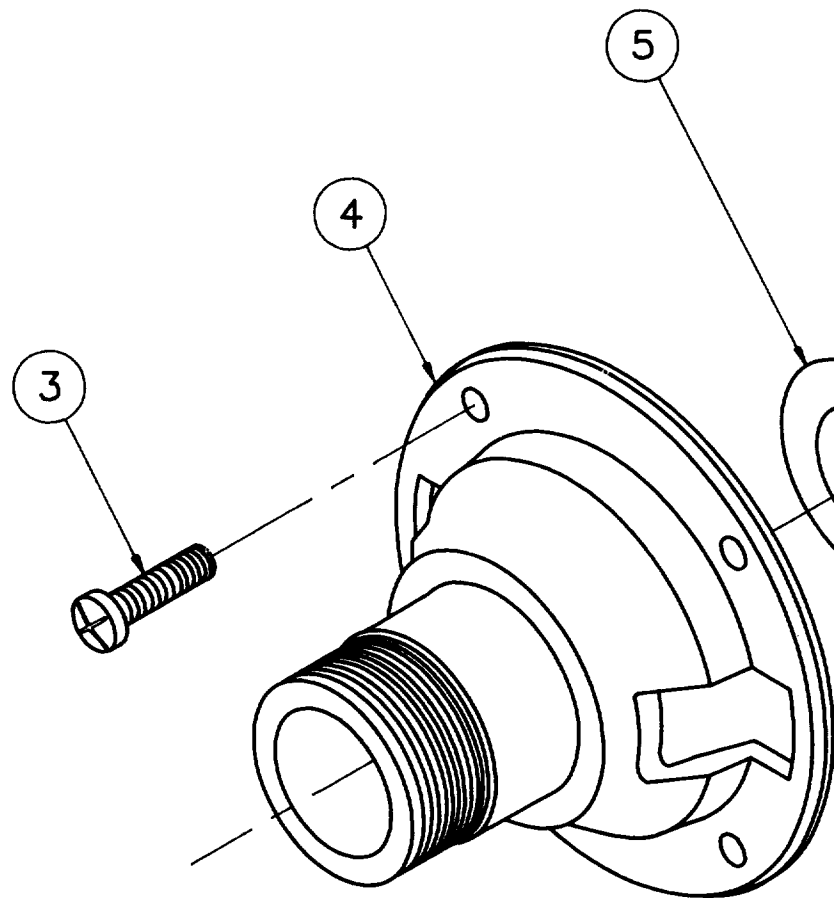
NOTE: PLEASE NOTE THAT ITEMS 'A' AND 'B' ARE CONTAINED IN ITEM 1. THEREFORE ITEM 1 EQUALS ITEMS 'A' AND 'B'.

* REPAIR KIT 89858XX HAS REPLACED REPAIR KIT 81302XX WHERE NOTED, REPAIR KIT 81302XX MAY STILL BE USED IF IN STOCK.

B	-----	1	DIAPHRAGM SYSTEM ASSEMBLY (CONTAINED IN ITEM 1)
A	83313	CHART	FERROFLUID REPLACEMENT KIT (CONTAINED IN ITEM 1)
6	89550	1	MAGNET STRUCTURE S/A
5	70830	1	SCREEN, 1.450" - 1.420" OD x .865" - .860" ID, METAL-POLYESTER
4	70816	1	COVER, FRONT
3	63038	4	SCREW, #10-32 x 5/16", HEX WASHER HEAD, BLACK ZINC
2	38692	CHART	GASKET, 3.375" x 2.015" x .032" T, 4HLS, FISHPAPER
1	CHARTED	1	REPAIR KIT, CONTAINS ITEMS 'A' AND 'B'
ITEM	PART NO.	QTY.	DESCRIPTION
BILL OF MATERIALS FOR ONE COMPLETE UNIT			

FINAL ASSEMBLY PARTS LIST

NOTE: PLEASE NOTE THAT ITEMS 'A' AND 'B' ARE CONTAINED IN ITEM 1. THEREFORE ITEM 1 EQUALS ITEMS 'A' AND 'B'.



PART OF ITEM

