

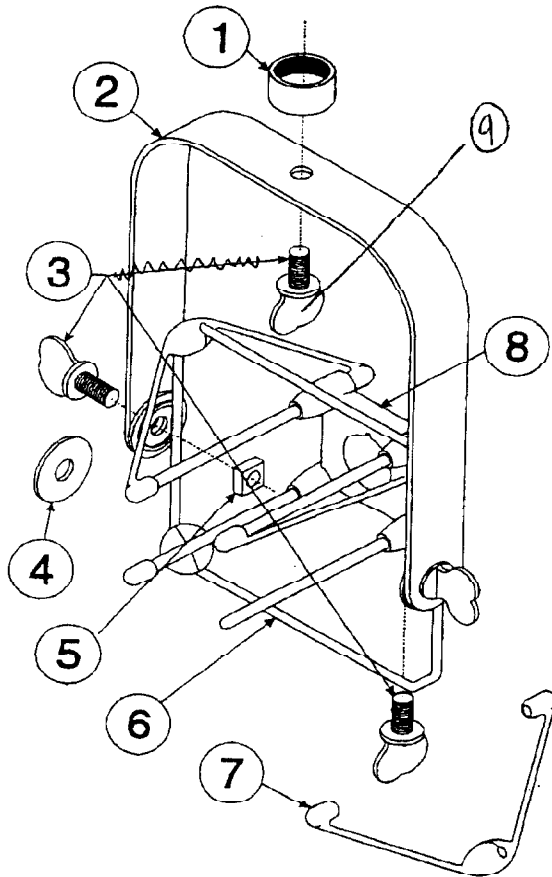


Electro-Voice®

a MARK IV company
 600 Cecil Street
 Buchanan, Michigan 49107
 Phone: 616-695-8831
 FAX: 616-695-4743

**SERVICE
 DATA**

**309A
 Microphone
 Shock Mount**



PARTS LIST

Ref. No.	Part No.	Description
1	B 2473 HU	Stud, black
2	71326	Bail, silk screened
3	20743 HU	Wing bolt (4) (3)
4	38309	Friction washer (2)
5	20050 HU	Square nut (2)
6	75558 HU	Shock-mount ring
7	78297	Suspension cord (4)
8	82767 XX	Support S/A

9 20649 H2L *Thumb screw, brass knurled*