

Figure 11

IN A TYPICAL UNDER-BALCONY APPLICATION, THE EVI-28 IS MOUNTED WITH THE TOP SURFACE PARALLEL TO THE FLOOR FOR A 65 FOOT THROW WITH RESTRICTED SPL INTO THE REAR WALKWAY.

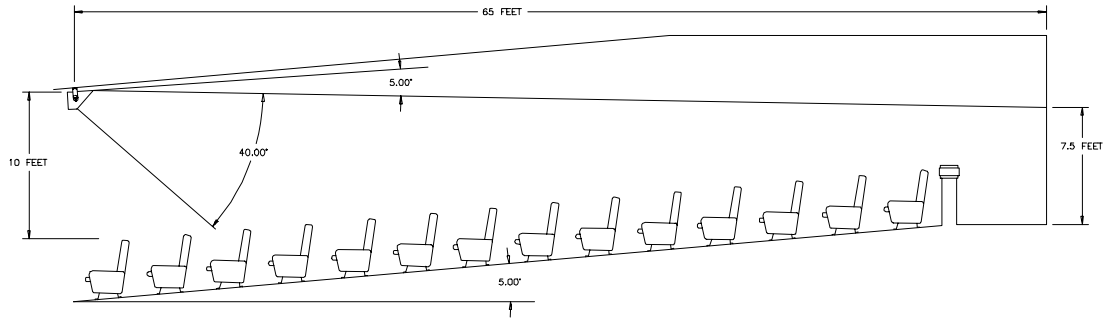


Figure 12

IN A TYPICAL SMALL-ROOM APPLICATION, THE EVI-28 IS MOUNTED SO THE 5-DEGREE DOWN ANGLE POINTS TOWARD THE FAR WALL AT A LITTLE ABOVE STANDING OR SEATED HEAD HEIGHT FOR A 30 FOOT THROW FROM A 9 FOOT CEILING. THE SPL DROPS OFF QUICKLY PAST THE NEARFIELD ANGLE.

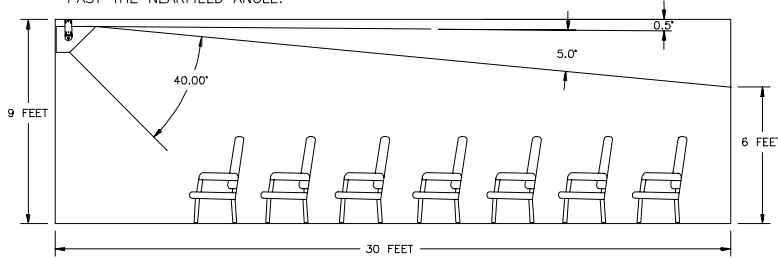


Figure 13

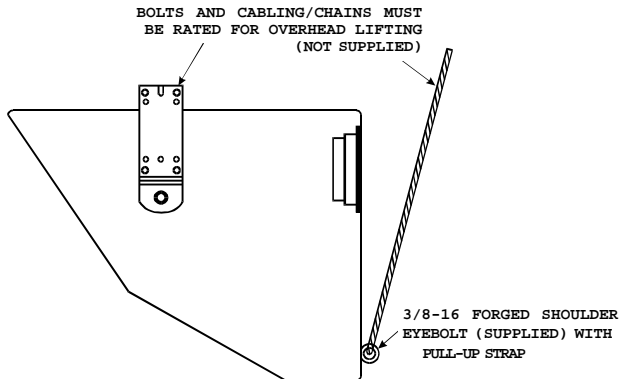


Figure 14

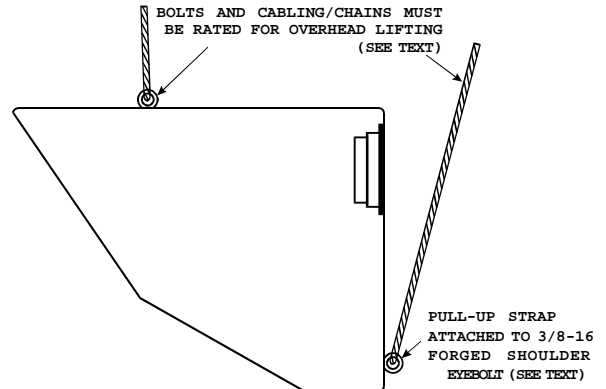
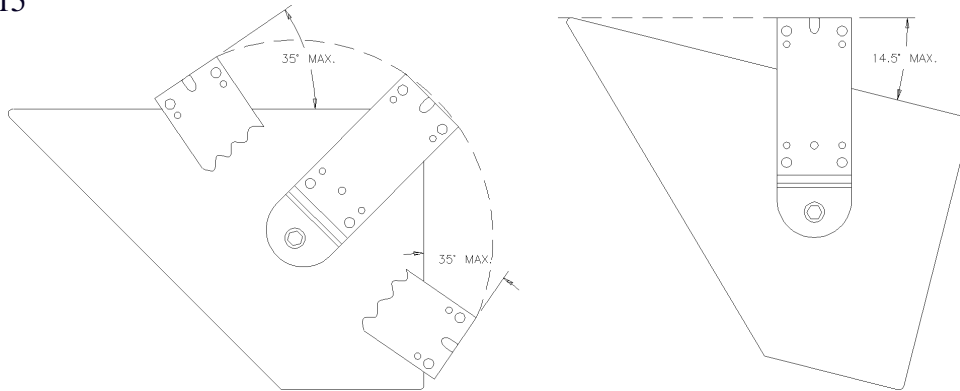


Figure 15



**Electro-Voice®**

600 Cecil Street, Buchanan, MI 49107

800/234-6831, 616/695-6831, 616/695-1304 Fax

©Telex Communications, Inc. 1998 • Litho in U.S.A.

Part Number 534762—9822