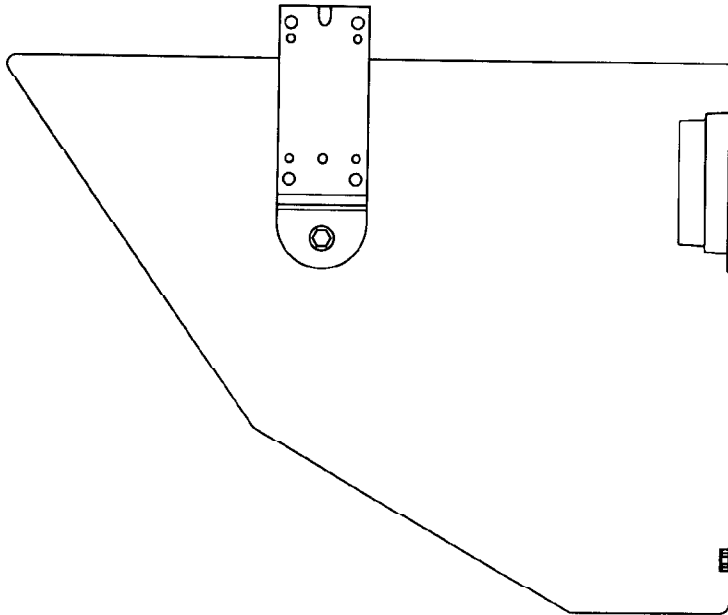




MB-VI15

Mounting Bracket Kit

- Mounting kit for VI-15 speakers
- May be used in conjunction with OmniMount® Series 100 support system¹
- Allows suspension of VI-15 speakers from the ceiling



Description

The MB-VI15 mounting bracket kit consists of a 10-gauge, cold-rolled-steel U-bracket, two friction pads and two washers. The kit is specifically designed for ceiling mounting of the VI-15 speaker system. The MB-VI15 mounting bracket kit may be used in conjunction with the OmniMount® Series 100 support system¹.

The MB-VI15 allows each system to rotate around its enclosure mounting centers, permitting angular adjustment after mounting. The MB-VI15 allows the VI-15 speaker to be mounted in almost any position so as to obtain the desired sound coverage.

Mounting Location Selection and Preparation

The MB-VI15 U-brackets should be attached to the mounting surface before the system is secured to the brackets. The fasteners required to affix the bracket to the mounting surface will need to be selected by the user to fit the particular installation.

Mounting Instructions

Refer to Figure 1 for the following steps:

1. Remove the paper backing from one of the friction pads (4) and attach to the U-bracket (1) as shown. Be sure the two holes are aligned. Attach the second friction pad in a similar manner.
2. Attach the U-bracket to the wall or ceiling using fasteners (not supplied) that are suitable for the construction material.
3. Using the 3/8-inch bolts mounted to the VI-15, assemble as shown in Figure 1. Attach a pull-up strap (not supplied) to the 3/8-16 T-nut located on the lower back of the enclosure using either the 3/8-16 shoulder bolt supplied with the system or a structurally rated 3/8-16 forged shoulder eyebolt (not supplied).

4. Position the speaker for desired coverage, changing the angle by adjusting the length of the pull-up strap. The maximum rotation from horizontal that may be reached is approximately 25° (see Figure 2). Tighten the screws sufficiently so that the speaker does not inadvertently rotate.

CAUTION:

Due to the weight of the VI-15 enclosure, it is imperative that the MB-VI15 bracket be properly secured to the wall or ceiling. The choice of fastener (not provided with bracket kit) will be determined by the material and construction of the mounting surface.

Table 1—MB-VI15 parts list

Item	Description	Quantity	Part Number
1	U-Bracket (black)	1	73583-JF
2	Friction pads	2	38020
3	Washers	2	4053-AP
4	3/8-16 bolts (from enclosure)	N/A	N/A

¹ OmniMount® is a registered trademark of OmniMount Systems.

MB-VI15 Mounting Bracket Kit

Uniform Limited Warranty Statement

Altec Lansing products are guaranteed against malfunction due to defects in materials or workmanship for a specified period, as noted in the individual product-line statement(s) below, or in the individual product data sheet or owner's manual, beginning with the date of original purchase. If such malfunction occurs during the specified period, the product will be repaired or replaced (at our option) without charge. The product will be returned to the customer prepaid.

Exclusions and Limitations: The Limited Warranty does not apply to (a) exterior finish or appearance, (b) certain specific items described in the individual product-line statement(s) below, or in the individual product data sheet or owner's manual, (c) malfunction resulting from use or operation of the product other than as specified in the product data sheet or owner's manual, (d)

malfunction resulting from misuse or abuse of the product, or (e) malfunction occurring at any time after repairs have been made to the product by anyone other than EVI Audio Service or any of its authorized service representatives. **Obtaining Warranty Service:** To obtain warranty service, a customer must deliver the product, prepaid, to EVI Audio Service or any of its authorized service representatives together with proof of purchase of the product in the form of a bill of sale or receipted invoice. A list of authorized service representatives is available from EVI Audio Service at 10500 W Reno Avenue, Oklahoma, OK 73127 (800/845-8727 or FAX 405/577-3274). **Incidental and Consequential Damages Excluded:** Product repair or replacement and return to the customer are the only remedies provided to the customer. Altec Lansing shall not be liable for any incidental or consequential damages including, without limitation, injury to

persons or property or loss of use. Some states do not allow the exclusion or limitation of incidental or consequential damages, so the above limitation or exclusion may not apply to you. **Other Rights:** This warranty gives you specific legal rights, and you may also have other rights which vary from state to state.

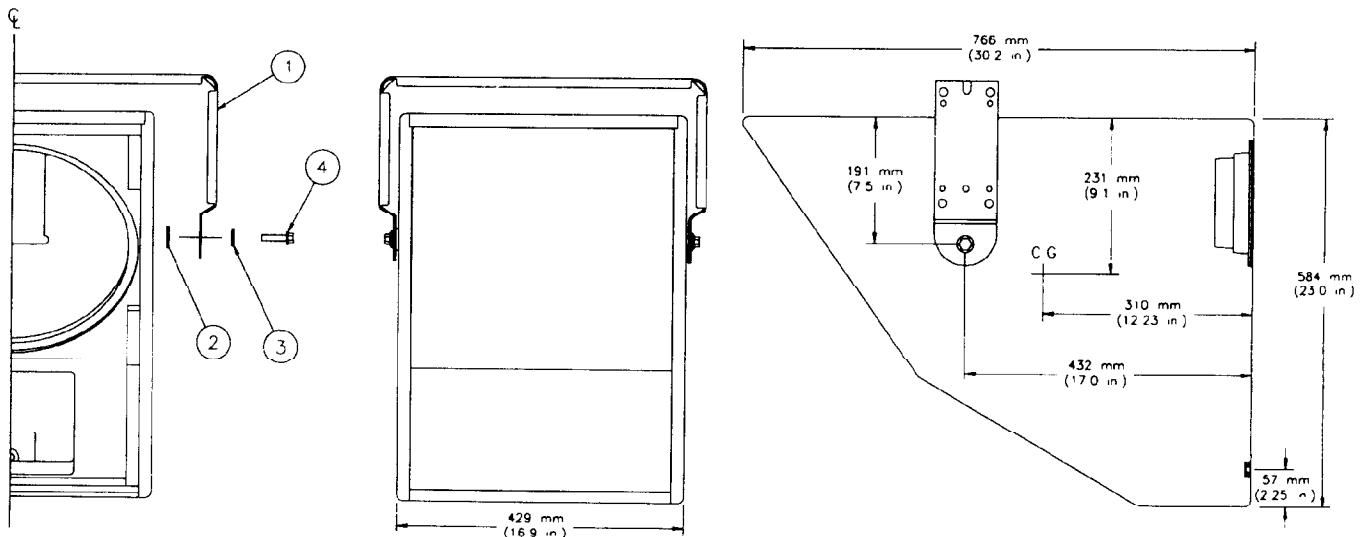
Altec Lansing Accessories are guaranteed against malfunction due to defects in materials or workmanship for a period of one (1) year from the date of original purchase. Additional details are included in the Uniform Limited Warranty statement.

For technical assistance, contact Technical Support at 800/234-6831 or 616/695-6831, M-F, 8:00 a.m. to 5:00 p.m. Eastern Standard time.

Specifications subject to change without notice.

MB-VI15 Mounting Bracket Kit

Figure 1—MB-VI15 Mounting Bracket



MB-VI15 Mounting Bracket Kit

MB-VI15 Mounting Bracket Kit

Figure 2—MB-VI15 Mounting Bracket

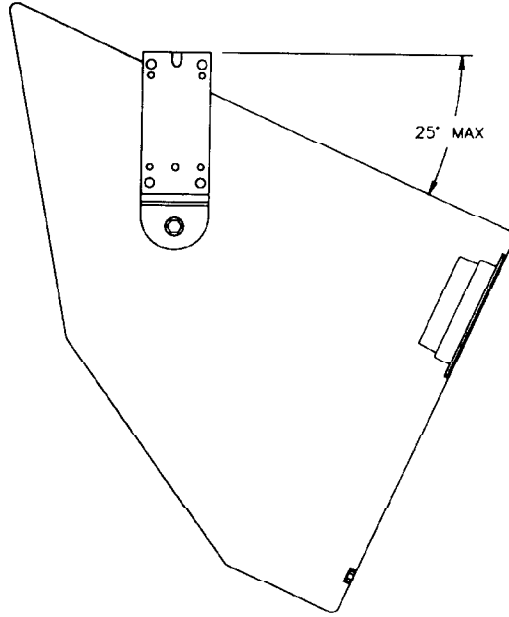
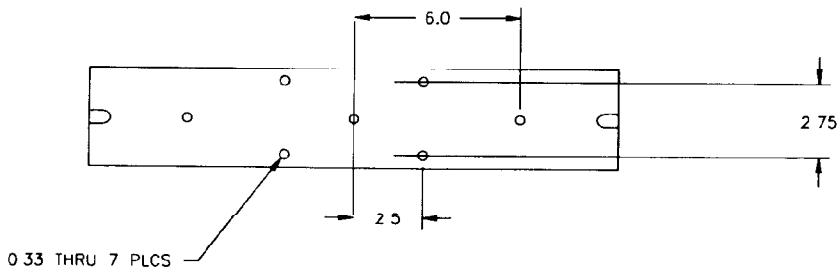
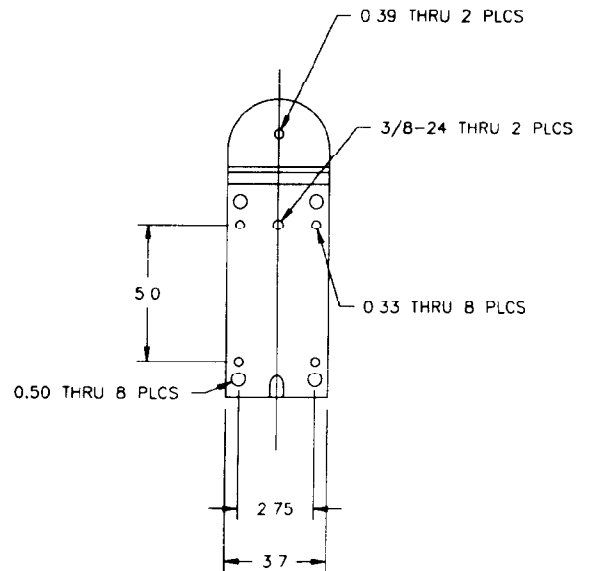
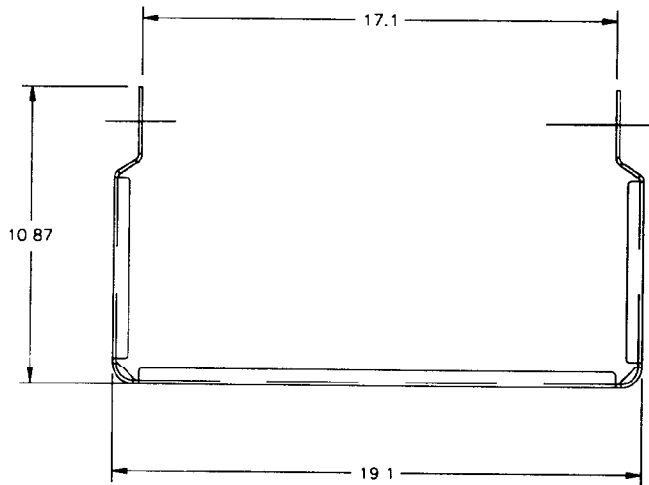


Figure 3—MB-VI15 Mounting Bracket



MB-VI15 Mounting Bracket Kit

Specifications

Wall-Mounting Holes:

Two 1/4-in. diameter holes spaced
12 0 in center to center

Enclosure-Mounting Holes:

Sides and back

Material:

10-gauge cold-rolled steel

Finish:

Epoxy powder coat

Net Weight:

3 17 kg (7 0 lb)

Shipping Weight:

3 60 kg (7 94 lb)

MB-VI15 Mounting Bracket Kit



600 Cecil Street, Buchanan, MI 49107
616/695-6831, 616/695-1304 Fax