

HST3

Hanging System Kit

- Hangs T251 systems securely and safely
- Simple installation using common tools

Figure 1—Suspension of T251

Description

The Electro-Voice HST series of hanging systems provide a certified and flexible method of suspending many popular Electro-Voice T-Series™ loudspeaker systems.

Equipment Required for Installation

- ¾-in. socket wrench
- 1-¾-in. hole saw
- adjustable wrench
- power screwdriver (#2 Phillips head)

Introduction

In common with any suspension system, the HST system is only as strong as its weakest link. The installer must ensure the top mounting points have sufficient load bearing capability to safely suspend the cabinet. The initial support cables or chains should be as close to vertical as possible and never more than 30° from vertical. None of the chains or cables should touch or rub against the cabinets. Local codes and regulations, if they exceed Electro-Voice's recommendations, should be followed at all times. Electro-Voice recommends that a safety fac-

tor of at least 6:1 should be adopted. When properly used, the Electro-Voice HST3 kit provides a safety margin of more than 10:1 when used to suspend a T251 loudspeaker system.

It is the installer's responsibility to ensure the HST system has been installed correctly. Electro-Voice strongly recommends that all suspended items be inspected at least once a year and any damaged parts be replaced immediately.

All HST kits follow the same principles. Put minimum stress on the cabinet and make each cabinet hang independently of any other device.

Suspending The Electro-Voice T251 Stage System

The following is the recommended method for suspending the T251 (see Fig 1).

Two tubes pass vertically through the cabinet and each is secured to it via two oversized cast brackets. Two cold forged eyebolts are screwed into the "top" two brackets. (For mounting flexibility, either end of the system may be considered the top.) The two pull-up straps are attached to the "bottom"

brackets with the supplied ⅜-in. bolts and lock washers. The pull-up straps are fastened to each other with an eyebolt and locking hex nut. This makes a single rear pull-up point for aiming the system. Suitably rated chain or aircraft cables can then be used to suspend and aim the cabinet. The center of gravity is arranged so the enclosure is directed towards the ceiling. In order to provide a downward or horizontal projection angle, the pull-up point must be used.

If multiple cabinets are to be suspended, each system requires the appropriate HST kit and systems should not be suspended from each other. The tubes run top to bottom through the enclosure. The eyebolts must be connected to the chain or aircraft cable using suitably rated connectors such as shackles or threaded chain connectors.

Electro-Voice recommends that T-Series™ speaker systems not be suspended from one another when using HST Series system kits even though the designated weight limit may not be exceeded.

HST3 Hanging System Kit

Installation Instructions

1. See Figure 2 for correct locations of the four holes to be drilled into the T251 enclosure. Mark the hole positions on the top and bottom of the cabinet. It may be desirable to mask the ends of the enclosure while drilling to keep sawdust from settling into the carpet.
2. Use a 1-3/4-in. Hole Saw to cut holes in the cabinet at the designated positions (two on the top panel and two on the bottom panel).
3. Screw one threaded tube firmly into one round hanging bracket. These parts may already be assembled when you remove them from the shipping carton.
4. Pass the tube through the cabinet being careful to steer clear of the woofer and other internal components.
5. Screw the remaining hanging bracket onto the exposed thread of the tube. Screw down firmly using nut head (on hanging bracket) and socket wrench spanner.
6. When tight, use a power screwdriver to screw the wood screws into each bracket

(three in each bracket). With carpet-covered enclosures, pilot holes are not generally necessary. With a reasonable amount of care, the screws will "self-center".

7. Repeat steps 3 through 6 for remaining tube, brackets and screws.
8. Test to be sure the cabinet does not leak from around the hanging bracket by applying a 50 Hz sine-wave signal to cabinet.
9. Screw the eyebolts firmly into the "top" mounting brackets.
10. Connect the two pull-up straps together loosely using the third eyebolt and the 3/8-in. locking nut. Do not tighten yet.
11. Connect the pull-up straps to the "bottom" two mounting brackets using the 3/8-in. bolts and lock washers. Note that the eyebolt should be "pointing up".
12. Now tighten the third eyebolt and locking nut on the pull-up straps (referred to in step 10).

Double check all mechanical connections. The T251 is now ready to be suspended.

Figure 3—Exploded view of T251 and HST3 parts

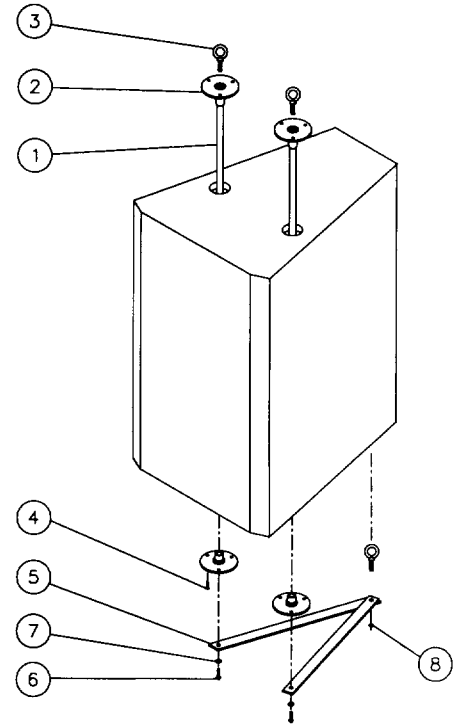
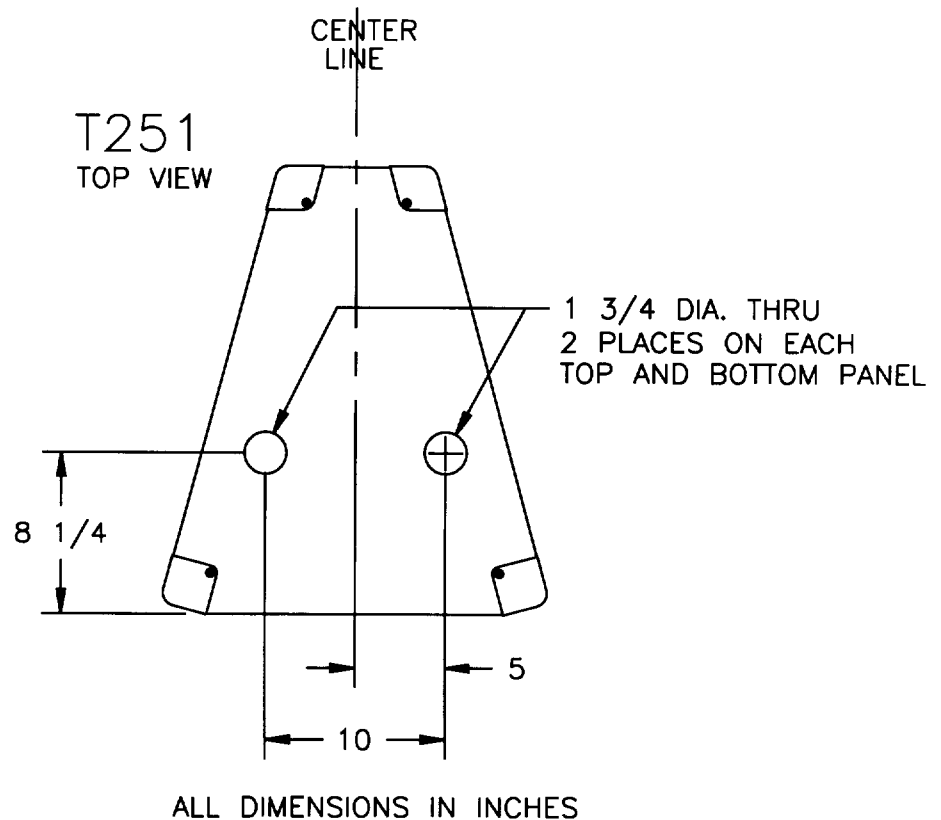


Figure 2—Drilling guide for T251



HST3 Hanging System Kit

Parts List

Reference No.	E-V Part No.	Quantity	Description
1.	73549	2	Threaded Tube
2.	A-71112-FF	4	Hanging Bracket
3.	20499	3	3/8-16 Forged Eyebolt
4.	62978-CP	12	Screws #10 x 1-in.
5.	73554	2	Pull-up Strap
6.	63329-CP	2	3/8-in. x 1-1/2-in. Hex Head Bolt
7.	38834-CP	2	3/8-in. Lock Washer
8.	20645	1	3/8-in. Locking Nut

CAUTION

For safe suspension of cabinets, it is very important that these instructions are strictly followed and all fasteners are correctly attached.

Warranty (Limited) -

Electro-Voice products are guaranteed against malfunction due to defects in materials or workmanship for a specified period, as noted in the individual product-line statement(s) below, or in the individual product data sheet or owner's manual, beginning with the date of original purchase. If such malfunction occurs during the specified period, the product will be repaired or replaced (at our option) without charge. The product will be returned to the customer prepaid. Exclusions and Limitations: The Limited Warranty does not apply to: (a) exterior finish or appearance; (b) certain specific items described in the individual product-line statement(s) below, or in the individual prod-

uct data sheet or owner's manual; (c) malfunction resulting from use or operation of the product other than as specified in the product data sheet or owner's manual; (d) malfunction resulting from misuse or abuse of the product; or (e) malfunction occurring at any time after repairs have been made to the product by anyone other than Electro-Voice or any of its authorized service representatives. Obtaining Warranty Service: To obtain warranty service, a customer must deliver the product, prepaid, to Electro-Voice or any of its authorized service representatives together with proof of purchase of the product in the form of a bill of sale or receipted invoice. A list of authorized service representatives is available from Electro-Voice at 600 Cecil Street, Buchanan, MI 49107 (616/695-6831). Incidental and Consequential Damages Excluded: Product repair or replacement and return to the customer are only remedies provided to the customer. Electro-Voice shall not be liable for

any incidental or consequential damages including, without limitation, injury to persons or property or loss of use. Some states do not allow the exclusion or limitation of incidental or consequential damages so the above limitation or exclusion may not apply to you. Other Rights: This warranty gives you specific legal rights, and you may also have other rights which vary from state to state.

Electro-Voice Accessories are guaranteed against malfunction due to defects in materials or workmanship for a period of one (1) year from the date of original purchase. Additional details are included in the Uniform Limited Warranty statement.

Service and repair address for this product: Electro-Voice, Inc., 600 Cecil Street, Buchanan, MI 49107.

Specifications subject to change without notice.

Warning

Electro-Voice, Inc. does not take any responsibility for the misuse of this product and is not liable for any incidental or consequential damages including, without limitation, injury to persons or property or loss of use. Some states do not allow the exclusion or limitation of incidental or consequential damages, so this limitation may not be applicable. If this product is used outside the United States of America, local and/or national regulations may apply.