

Electro-Voice®
a MARK IV company

Model HP94 TransPlanar™ Constant-Directivity Horn

SPECIFICATIONS

The following specifications are in accordance with or exceed the AES Recommended Practice for Specification of Loudspeaker Components Used in Professional Audio and Sound Reinforcement (AES2-1984; ANSI S4.26-1984).

Horizontal Beamwidth:
90° (+30°, -10°)
(-6 dB, 1.2 kHz to 20 kHz)

Vertical Beamwidth:
40° (+20°, -10°)
(-6 dB, 2.1 kHz to 20 kHz)

Directivity Factor R_θ (Q):
10.1 (average 1.6 kHz to 20 kHz)

Directivity Index D_i :
10.1 dB (+1.9, -0.9 dB)
10 log R_θ , (average 1.6 kHz to 20 kHz)

Usable Lower Frequency Limit:
800 Hz

Construction:

Polyester resin and glass-fiber laminate integrally molded to a die-cast zinc throat section. This hybrid construction assures a rigid driver mount, accurate, loss-free throat-wave transmission and low total weight compared to horns of similar size.

Mechanical Connection of Driver:

Bolt-on; standard 2"-diameter throat, 5"-diameter mounting flange and four clearance holes for 1/4" bolts on a 4"-diameter bolt circle.

Recommended Drivers:

DH1A DH2/4MT
DH2 DH3/4MT

Dimensions:

22.2 cm (8.8 in.) wide
27.9 cm (11.0 in.) high
22.0 cm (8.7 in.) deep

Weight:

2.5 kg (4.5 lb)

Shipping Weight:

3.3 kg (6.0 lb)

DESCRIPTION

The Electro-Voice model HP94 is a wide-range, flat-front, high-frequency, constant-directivity horn. It offers economy of space, where its geometry is "just big enough for the job." A horizontal angle is controlled over a frequency range of 1.2 kHz to 20 kHz and the vertical angle is controlled from 2.1 kHz to 20 kHz, both with unusual precision and adherence to the intended angle. Furthermore, excellent loading is maintained to a low frequency of 800 Hz. The HP horn series (U.S. Patent #4,629,029) represents the latest development in "CD" horn design, employing the same principles which EV engineers developed and used to design the world's first true constant-directivity horns in 1974. The flat-front TransPlanar™ design makes the HP94 suitable for all modern boxed and clustered systems. A unique, integral fiberglass-and-zinc construction gives a strength-to-weight ratio superior to that of conventional fiberglass horn construction, resulting in exceptional strength in the throat area and the elimination of acoustically induced wall vibrations. Lastly, a special vaned waveguide throat detail gives the HP94 unusually good high-frequency control, vertically, when compared to similar 2-inch-throat horn designs.

R_θ and D_i vs Frequency
(one-third-octave bandwidths)

Freq. (Hz)	R_θ	D_i (dB)	Freq. (Hz)	R_θ	D_i (dB)
630	4.1	6.1	4,000	9.6	9.8
800	4.6	6.6	5,000	9.0	9.6
1,000	4.9	6.9	6,300	9.5	9.8
1,250	6.4	8.0	8,000	9.5	9.8
1,600	8.3	9.2	10,000	9.7	9.9
2,000	8.9	9.5	12,500	10.6	10.3
2,500	9.8	9.9	16,000	11.1	10.5
3,150	9.6	9.8	20,000	15.9	12.0

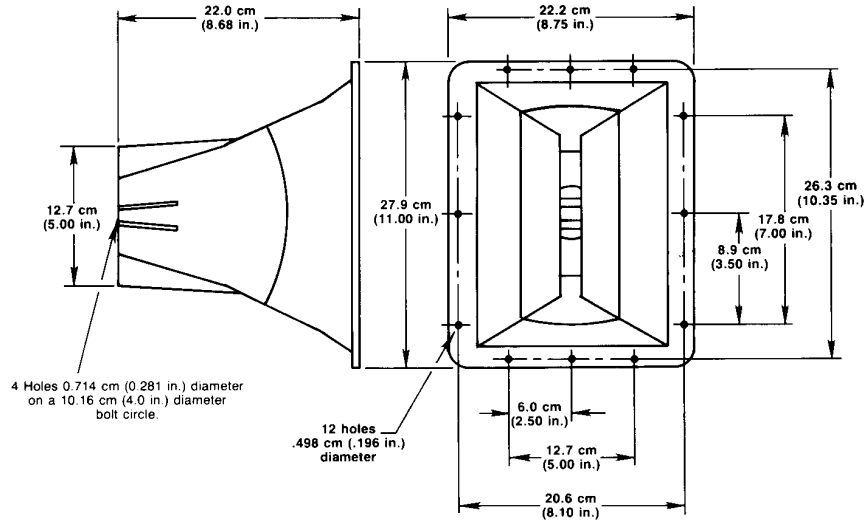


FIGURE 1 — Dimensions

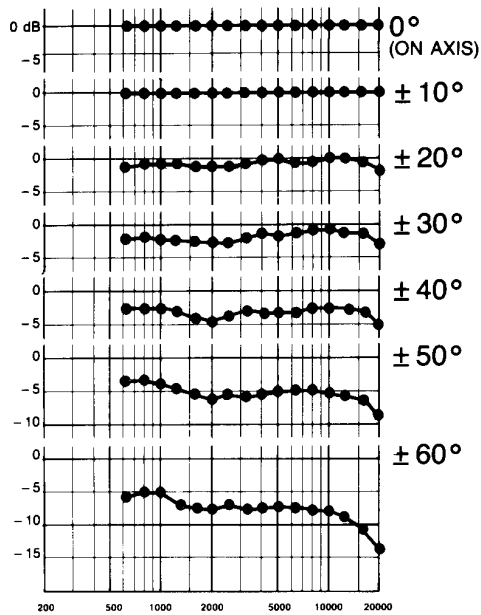


FIGURE 2
Horizontal Off-Axis Response

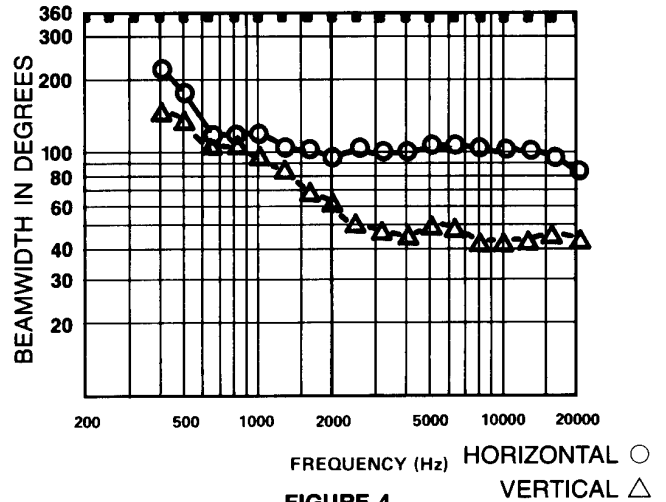


FIGURE 4
6-dB-Down Beamwidth vs. Frequency

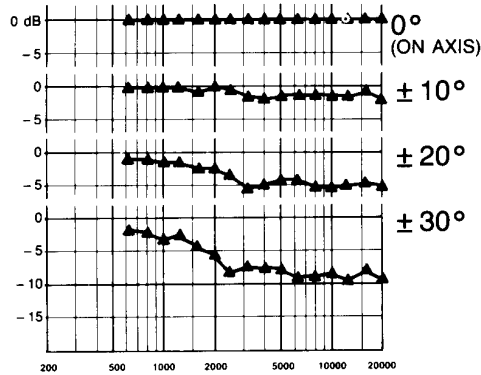


FIGURE 3
Vertical Off-Axis Response

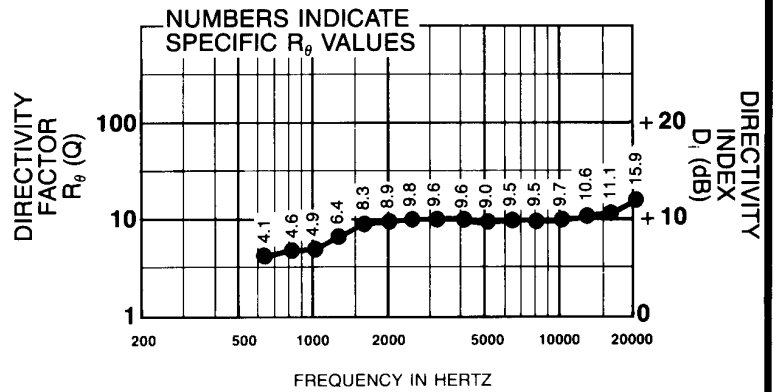
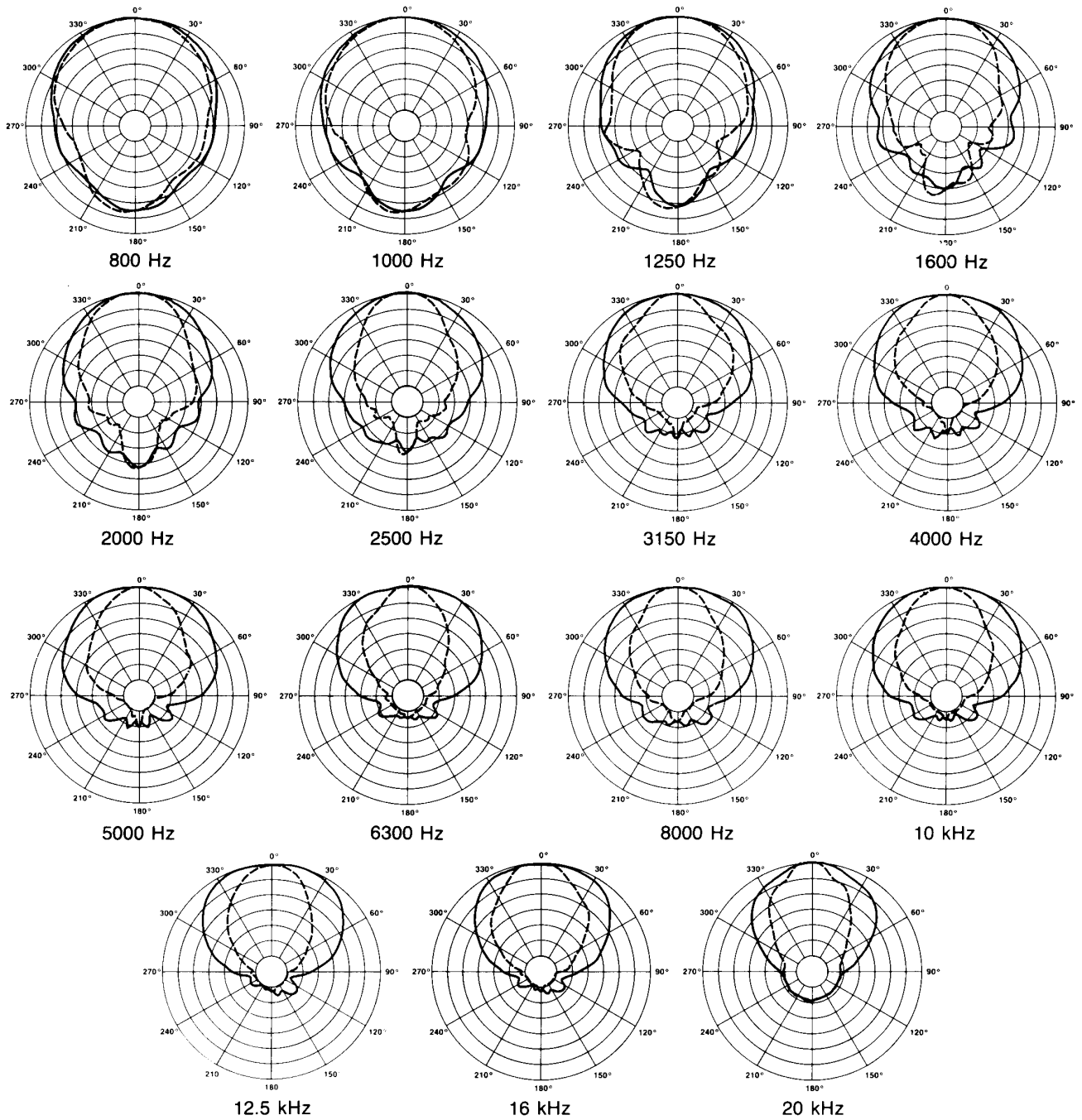


FIGURE 5
Directivity vs. Frequency



Scale is 5dB per division

FIGURE 6 — Polars

HORIZONTAL ———
 VERTICAL - - - -

DIRECTIVITY

The axial directivity factor R_a (formerly Q) of the HP94 horn was computed at each one-third-octave center frequency from the horizontal/vertical polars which are displayed in Figure 6. The graph in Figure 5 illustrates this data over the range 630 Hz to 20 kHz. The axial frequency response of the HP94 horn with a particular driver is in close correspondence to that driver's power response above 1.6 kHz.

BEAMWIDTH

A plot of the HP94's 6-dB-down total included beamwidth angle is shown in Figure 4 for each one-third-octave center frequency. The horizontal beamwidth is maintained at 90° (+30°, -10°) over the range 1.2 kHz to 20 kHz. Vertical beamwidth is maintained at 40° (+20°, -10°) over the range 2.1 kHz to 20 kHz.

FREQUENCY RESPONSE ON AND OFF AXIS

The one-third-octave frequency response of the HP94 at various on- and off-axis angles, was derived from the accompanying polars and is displayed in Figure 2 and Figure 3. All curves are referenced to the on-axis level. These responses illustrate the curves one would get with a real-time spectrum analyzer at the different angles if the horn/driver were equalized flat on axis, in an anechoic environment.

POLAR RESPONSE

The directional characteristics of the HP94 with driver attached were measured by running a set of horizontal/vertical polar responses, in EV's large anechoic chamber, at each one-third-octave center frequency. The test signal was one-third-octave pseudo-random pink noise (1.0 Hz repetition rate)

centered at the indicated frequencies. The measurement microphone was placed 6.1 m (20 ft) from the horn mouth, while rotation was about the waveguide geometric apexes. These axes of rotation are quite close to the apparent (acoustic) apexes across the frequency range of measurement. Errors attributable to the slight differences between the geometric and acoustic apexes are reduced to an inconsequential level by the relatively long, 20-foot measuring distance. The horn was suspended freely with no baffle. The polar plots shown in Figure 6 display the results of these tests. The center frequency and beamwidth angle are noted on each plot. The top angle at the center on each chart is the horizontal beamwidth (-) and the bottom angle is the vertical beamwidth (-).

ARCHITECTS' AND ENGINEERS' SPECIFICATIONS

The horn shall be of the constant-directivity type. It shall produce a horizontal beamwidth (6-dB-down angle) of 90 degrees, deviating no more than 30 degrees from this angle over the frequency range 1,200 Hz to 20,000 Hz. It shall produce a vertical beamwidth of 40 degrees, deviating no more than 20 degrees from this angle over the frequency range 2,100 Hz to 20,000 Hz. In addition, it shall provide useful acoustic loading at all frequencies above 800 Hz.

The horn shall be of hybrid fiberglass-and-zinc construction. The initial throat section shall be constructed of die-cast zinc and shall be integrally laminated into the fiberglass portion of the horn.

The horn shall possess a throat of 4.92-cm (1.94-in.) diameter and its flange shall be provided with four ¼-20-clearance bolt holes on a 10.2-cm (4.0-in.) circle for the mounting of the compression driver. The horn shall be

27.9 cm (11.0 in.) high, 22.2 cm (8.8 in.) wide, and 22.0 cm (8.7 in.) long. It shall weigh no more than 2.5 kg (4.5 lb).

The horn shall be the Electro-Voice model HP94 constant-directivity horn.

WARRANTY (Limited)

Electro-Voice Speakers and Speaker Systems (excluding active electronics) are guaranteed for five years from date of purchase against malfunction due to defects in workmanship and materials. If such malfunction occurs, unit will be repaired or replaced (at our option) without charge for materials or labor if delivered prepaid to the proper Electro-Voice service facility. Unit will be returned prepaid. Warranty does not extend to finish, appearance items, burned coils, or malfunction due to abuse or operation under other than specified conditions, including cone and/or coil damage resulting from improperly designed enclosures, nor does it extend to incidental or consequential damages. Some states do not allow the exclusion or limitation of incidental or consequential damages, so the above exclusion may not apply to you. Repair by other than Electro-Voice or its authorized service agencies will void this guarantee. A list of authorized service centers is available for Electro-Voice, Inc., 600 Cecil Street, Buchanan, MI 49107 (616-695-6831); and Electro-Voice West, 8234 Doe Ave., Visalia, CA 93291 (209-651-7777). Or Mark IV Audio Canada, Inc., 345 Herbert St., Gananoque, Ontario, Canada K7G 2V1 (613-382-2141); Mark IV Audio, A.G., Keltenstrasse 5, CH-2563 Ipsach, Switzerland (41-32-51-6833); Mark IV Vertriebs, GmbH, Larchenstrasse 99, 6230 Frankfurt/Main 80, West Germany (49-69-380-100); Mark IV Audio Japan, Ltd., 2-5-60 Izumi, Suginami-ku, Tokyo 168, Japan (81-3-325-7900); Electro-Voice Pty., Unit 24/Block C, Slough Business Park, Slough Ave., Silverwater N.S.W. 2141 Australia (61-2-648-3455). This warranty gives you specific legal rights which may vary from state to state or province to province.

Service and repair address for this product: Electro-Voice, Inc., 600 Cecil Street, Buchanan, MI 49107.

Specifications subject to change without notice.