

# GLADIATOR

**Gladiator Series**  
**15" Two-Way and 18" Subwoofer for Live Sound, DJ, AV**



## Key Features:

- 131 dB Max SPL
- 3-Way System Design using One Amplifier Channel allows 2-Way Fullrange + Sub to run on One Amp Channel
- RoadWood™ Enclosures are Rugged and Lightweight
- Steel Pole Included

### Gladiator 115 2-Way -

- High Output EVS-15FR 15" Woofer
- 60° x 40° Controlled Coverage
- DH2010 Compression Driver for Extended HF
- High Sensitivity, 99 dB
- 400W Cont., 1,600W Peak Power Rating

### Gladiator 118 Sub -

- EVS-18S 18" Woofer with High Power 4-Layer Voice Coil
- Extended Response to 32 Hz
- Built-In Crossover for use as 3-Way System
- 400W Cont., 1,600W Peak Power Rating
- Boosts LF Output to 134 dB



## General Description:

The Electro-Voice® Gladiator G115 and G118 are designed to reproduce modern dance music. The perfect system for mobile DJ's... powerful, extended LF response coupled with EV's great HF and unmatched vocal clarity due to RMD™ (Ring-Mode Decoupling).

The newly developed EVS-Series woofers and crossover networks reliably produce very high SPL's all night. Roadwood enclosures, steel grilles, high impact corners, and comfortable handles complete the package for years of reliable good looking service.

EV's unique system design allows one amplifier channel to drive the subs built-in crossover that provides the Fullrange output. No additional crossovers or amps required for a true 3-way system.

The EV Q66 amplifier with up to 850W per channel is the perfect drive for a stereo 3-way rig with one G118 and one G115 per side.

## Technical Specifications:

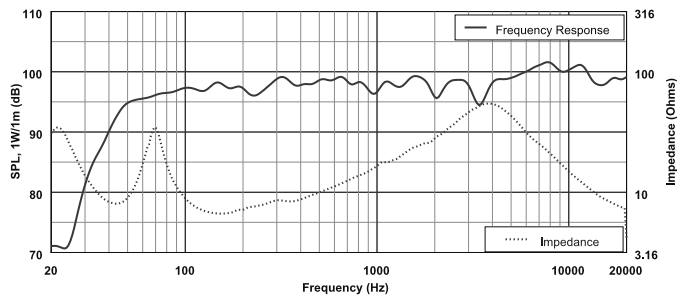
	Gladiator G115/G118 <sup>3</sup>
Freq. Response (-3 dB) <sup>2</sup> :	46 Hz - 20 kHz/42 Hz - 160 Hz
Freq. Range (-10 dB) <sup>2</sup> :	35 Hz - 20 kHz/32 Hz - 600 Hz
Power Handling, Continuous <sup>1</sup> :	400W
Power Handling, Short Term <sup>1</sup> :	1,600W
Dispersion:	60° x 40°/Omnidirectional
Sensitivity (SPL 1W/1m):	99 dB
Impedance (Nominal,Min.):	8 ohms/8 ohms, 6.5 ohms
Max Calculated SPL:	131 dB
Enclosure:	Roadwood™ Covered in Heavy Duty Black Carpet
Connectors:	Speakon NL4
Grille:	Powder-Coated Steel
G115 Dimensions (H x W x D):	29.9" x 17.3" x 22.0" (760mm x 438mm x 559mm)
G118 Dimensions (H x W x D):	29.9" x 20.0" x 23.3" (760mm x 508mm x 591mm)
Net Weight:	75.0 lbs (34.1 kg)/80.0 lbs (36.3 kg)
Shipping Weight:	80.0 lbs (36.3 kg)/85.0 lbs (38.6 kg)

<sup>1</sup> EIA-RS426A

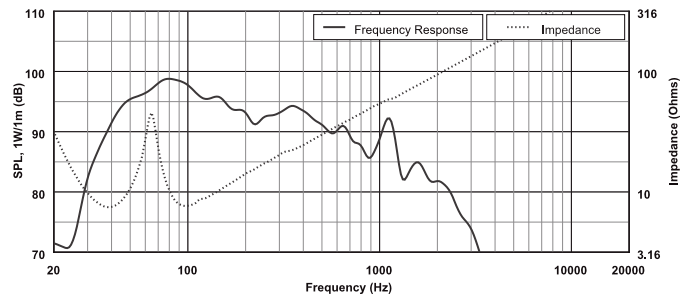
<sup>2</sup> Frequency Response 1/2 Space

<sup>3</sup> All Specifications equal for both models, except where noted or split.

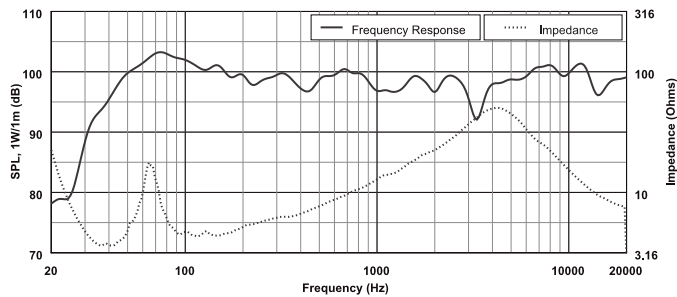
## Frequency Response (Two-Way):



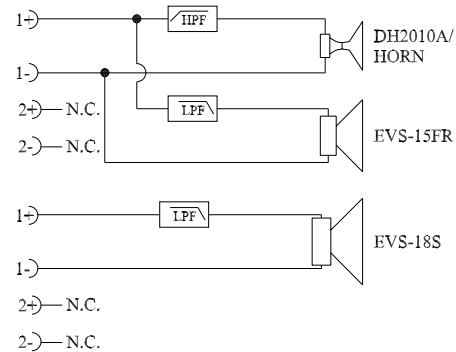
## Frequency Response (Subwoofer):



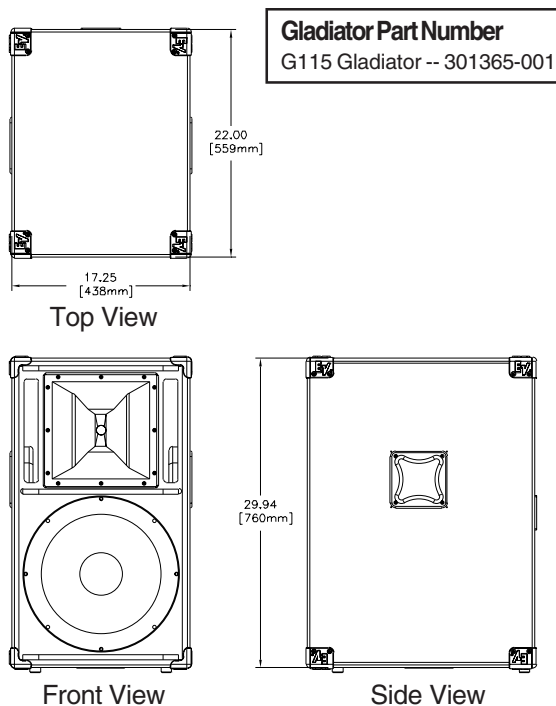
## Frequency Response (Combined):



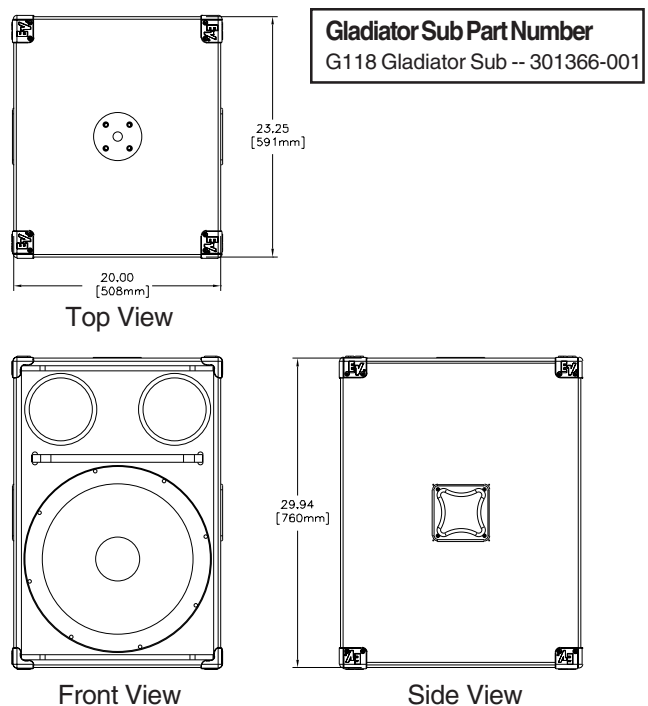
## Block Diagram (Combined):



## Dimension Drawing (Two-Way):



## Dimension Drawing (Subwoofer):



12000 Portland Avenue South, Burnsville, MN 55337  
Phone: 952/884-4051, Fax: 952/884-0043

[www.electrovoice.com](http://www.electrovoice.com)

© Telex Communications, Inc. 1/2003  
Part Number 38110-202 Rev C

U.S.A. and Canada only. For customer orders, contact Customer Service at:  
800/392-3497 Fax: 800/955-6831

Europe, Africa, and Middle East only. For customer orders, contact Customer Service at:  
+ 49 9421-706 0 Fax: + 49 9421-706 265

Other International locations. For customer orders, contact Customer Service at:  
+ 1 952 884-4051 Fax: + 1 952 736-4212

For warranty repair or service information, contact the Service Repair department at:  
800/685-2606

For technical assistance, contact Technical Support at: 866/78AUDIO

Specifications subject to change without notice.