

FORCE *i*

Force i Monitor
12-Inch Two-Way Full-Range
Speaker System



Key Features:

- RoadWood™ Trapezoidal Enclosure
- Super Low Profile
- Lightweight—only 28 lbs (12.7 kg)
- RMD™ - Ring-Mode Decoupling
- 1-inch Compression Driver
- 80° x 55° True Constant-Directivity Horn
- High Power Crossover Network
- PTP™ Power Tracking Protection
- Built-in Metal Stand Mount
- Manufactured in the United States



General Description:

The Force *i* monitor has big sound in a small, strong, lightweight package. The handle on the top of the enclosure makes it easy to carry, and it's very easy on your hands and fingers. RoadWood™ is twice as strong and half as heavy as the particleboard used by most other speaker companies. All Force *i* speakers are designed for easy moving and efficient vehicle packing. But it's all about the sound and that's where Force *i* really shines. It's got an efficient 12" with EV's Ring-Mode Decoupling (RMD™) technology to make sure that voices are smooth and instruments reproduced with all their overtones perfectly. The compression driver coupled with Force *i*'s 80° x 55° low distortion horn has big, wide coverage and projects the sound further than competitive systems with 90° horns. You'll hear every detail of your music perfectly reproduced with extended highs.

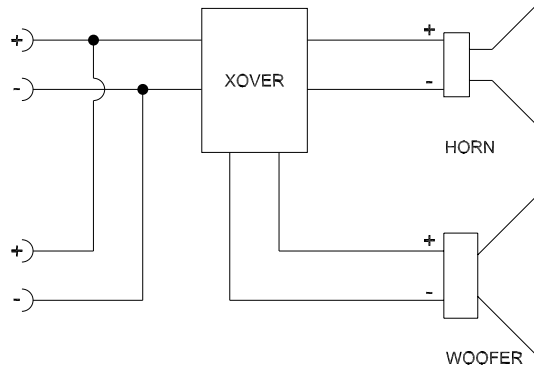
Technical Specifications:

Freq. Response (-3 dB) ² :	110Hz - 13kHz
Freq. Range (-10 dB) ² :	90Hz - 18kHz
Continuous Pwr Handling ¹ :	250W
Program Pwr Handling ¹ :	500W
Short Term Pwr Handling ¹ :	1,000W
Dispersion	80° x 55°
Sensitivity (1W / 1m):	99 dB
Impedance (Nominal):	8 ohms
Max. Calc. SPL Output:	129 dB @ 1m
Enclosure:	Heavy Duty Black Carpet (useable at 50° or 65°)
Connectors (Standard/E):	1/4-inch Phone Jack/Speakon NL4
Grille:	Powder Coated Steel
Dim (H x W x D) in:	21.2" x 13.8" x 9.7"
Dim (H x W x D) mm:	538 mm x 351 mm x 247 mm
Net Weight:	28 lbs (12.7 kg)
Shipping Weight:	33 lbs (15.0 kg)

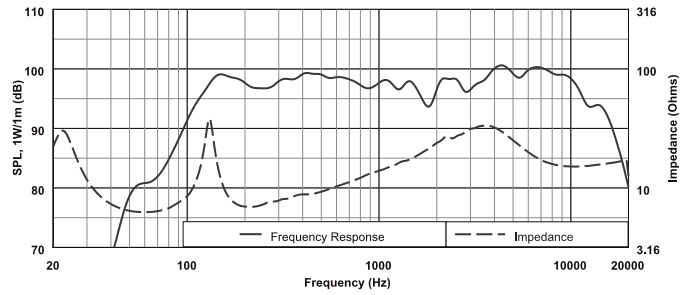
¹ EIA-RS426A

² Frequency Response 1/2 Space

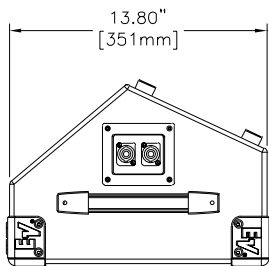
Block Diagram:



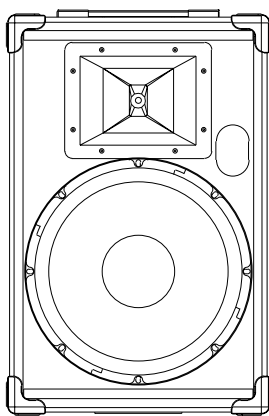
Frequency Response:



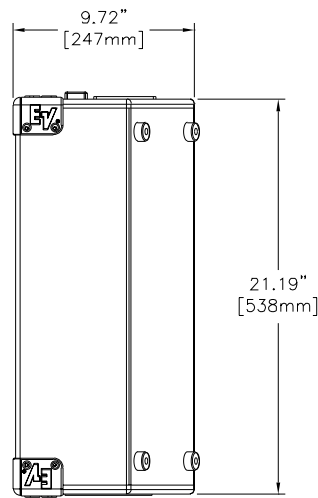
Dimension Drawings:



Top



Front



Side

Performance Match:

- Force i -- 15" Two-Way Loudspeaker
- Force i Sub -- 18" Subwoofer
- Eliminator i Amplifier with LPN Processor



12000 Portland Avenue South, Burnsville, MN 55337

Phone: 952/884-4051, Fax: 952/884-0043

www.electrovoice.com

© Telex Communications, Inc. 12/2002

Part Number 38110-099 Rev A

U.S.A. and Canada only. For customer orders, contact Customer Service at:

800/392-3497 Fax: 800/955-6831

Europe, Africa, and Middle East only. For customer orders, contact Customer Service at:

+ 49 9421-706 0 Fax: + 49 9421-706 265

Other International locations. For customer orders, contact Customer Service at:

+ 1 952 884-4051 Fax: + 1 952 736-4212

For warranty repair or service information, contact the Service Repair department at:

800/685-2606

For technical assistance, contact Technical Support at: **866/78AUDIO**

Specifications subject to change without notice.