



PRELIMINARY **FRI-2082**  
Speaker System

F R I  
S P E A K E R  
S Y S T E M S

### General Product Description

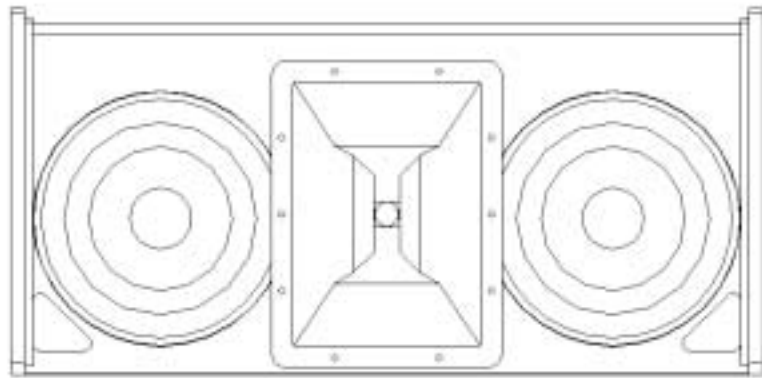
Two-way full-range passive system, in a unique slant sided enclosure. Includes dual 8-inch woofers and a 1"/25mm voice coil compression driver on a 100° x 100° constant-directivity horn. Cloth coverable steel grille.

### Applications

The FRi-2082 uses EV's exclusive RMD™ (Ring-Mode Decoupling) to provide outstanding vocal clarity and intelligibility in a cost-effective two-way system. The versatile, compact enclosure features a low profile cabinet design with integral suspension points and a U-bracket to allow horizontal or vertical mounting. The 100° x 100° horn pattern allows broad coverage for near field applications. Five year warranty.

*Applications include:*

- Stadiums
- Houses of Worship
- Live Music Clubs
- Arenas
- Discos
- Gymnasiums



### Speaker Description

<b>Part Number</b>	FRI-2082-BLK
<b>LF Section &amp; Components</b>	Dual 8-inch woofers in vented enclosure
<b>HF Section &amp; Components</b>	Compression driver with 1-inch titanium diaphragm on a constant-directivity horn
<b>System Configuration</b>	Two-way, Full range
<b>Powering Configuration</b>	Passive
<b>Recommended High-Pass Frequency (12 dB/octave min.)</b>	50 Hz
<b>Cabinet Type (shape)</b>	Low profile slant design
<b>Enclosure Materials</b>	13-ply plywood
<b>Finish</b>	Black Acrylic
<b>Connectors</b>	One barrier strip
<b>Suspension Hardware</b>	(2) 3/8-16 threaded mounting/suspension points, 1 per side
<b>Grille</b>	Powder-coated perforated 18GA steel
<b>Options</b>	WH-white acrylic finish UN-unfinished

PRELIMINARY **FRi2082**  
Speaker System

Speaker Characteristics

<b>Frequency Response (passive)</b>	
-3dB	70 Hz-20 kHz
-10dB	55 Hz-16 kHz
<b>Axial Sensitivity</b> (SPL/1 Watt/1m) Passive	
	93 dB
<b>Impedance</b>	
	8 ohms
<b>Power Handling</b>	
Long-term (EIA)	200 watts
Short-term peak	800 watts
<b>Calculated Maximum Output SPL</b>	
Peak	122 dB
Long Term	116 dB
<b>Nominal Coverage Angle</b>	
Horizontal (-6 dB)	100°
Vertical (-6 dB)	100°
<b>Dimensions</b>	
Height	8.75 in. (222 mm)
Width	24.50 in. (62 mm)
Depth	14.0 in. (356 mm)
<b>Weights</b>	
Net Weight	40.0 lb. (18.2 kg)
Shipping Weight	52.0 lb. (23.6 kg)

Architects' and Engineers' Specifications

The two-way full range loudspeaker system shall incorporate dual 8-inch LF transducer and a 1 1/8" voice coil HF compression driver.

The LF driver shall be mounted in a vented enclosure tuned for optimum low-frequency response. The HF driver shall be loaded on constant-directivity horn with a nominal coverage pattern of 100° (h) x 100° (v). An internal passive filter network shall provide acoustical crossover and system equalization.

System frequency response shall be 55 Hz to 16 Hz measured on axis. The loudspeaker shall produce a sound pressure level (SPL) of 93 dB on axis at 1 meter with a power input of 1 watt, and shall be capable of producing a full-power peak output of 122 dB on axis at 1 meter. It shall handle 200 watts of amplifier power long-term (EIA Standard), and shall have a nominal impedance of 8 ohms.

The loudspeaker enclosure shall be 5 sided. It shall be constructed of 13 ply void-free cross-grain-laminated plywood and shall employ extensive internal bracing. It shall be finished in black acrylic paint. Input connectors shall be two at 1 terminal barrier strips. A total of two 3/8-16 threaded mounting/suspension points shall be provided, (with a U-bracket, one per side). The front of the loudspeaker shall be cloth coverable with a powder-coated perforated 18 GA steel grille.

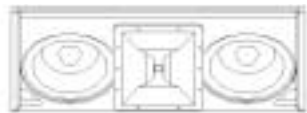
The two-way full range loudspeaker shall be the Electro-Voice model FRi-2082.



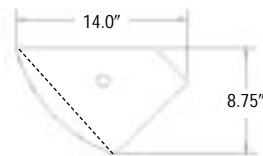
Top View



Front View  
(with grille)



Front View  
(with grille removed)



Left Side View



Back View



Bottom View



**EVERYWHERE**™

- USA** 12000 Portland Ave South, Burnsville, MN 55337, Phone: 952-884-4051, FAX: 952-884-0043
- Canada** 705 Progress Avenue, Unit 46, Scarborough, Ontario, Canada, M1H2X1, Phone: 416-431-4975, 800-881-1685, FAX: 416-431-4588
- Switzerland** Kellenstrasse 11, CH-2563 IPSACH, Switzerland, Phone: 41/32-331-6833, FAX: 41/32-331-1221
- Germany** Hirschberger Ring 45, D94315, Straubing, Germany, Phone: 49 9421-706 392, Fax: 49 9421-706 287
- France** Parc de Courcier, Allee Lech Walesa, Lognes, 77185 Marne La Vallée, France, Phone: 33/1-6480-0090, FAX: 33/1-6480-4538
- Australia** Unit 23, Block C, Slough Business Park, Slough Avenue, Silverwater, N.S.W. 2128, Australia, Phone: 61/2-9648-3455, FAX: 61/2-9648-5585
- Hong Kong** Unit E & F, 21/F, Luk Hop Industrial Bldg., 8 Luk Hop St., San PO Kong, Kowloon, Hong Kong, Phone: 852-2351-3628, FAX: 852-2351-3329
- Japan** 2-5-60 Izumi, Suginami-ku, Tokyo, Japan 168, Phone: 81-3-3325-7900, FAX: 81-3-3325-7789
- Singapore** 3015A Ubi Rd 1, 05-10, Kampong Ubi Industrial Estate, Singapore 408705, Phone: 65-746-8760, FAX: 65-746-1206
- Mexico** Av. Parque Chapultepec #66-201, Col. El. Parque Edo. Mex. 53390, Phone: (52) 5358-5434, FAX: (52) 5358-5588
- UK** 4, The Willows Centre, Willow Lane, Mitcham, Surrey CR4 4NX, UK, Phone: 44 181 640 9600, FAX: 44 181 646 7084
- Africa, Mid-East** 12000 Portland Ave South, Burnsville, MN 55337, Phone: 952-887-7424, FAX: 952-887-9212
- Latin America** 12000 Portland Ave South, Burnsville, MN 55337, Phone: 952-887-7491, FAX: 952-887-9212

www.electrovoice.com • Telex Communications, Inc. • www.telex.com

©Telex Communications, Inc. 9/2000 Part Number XXXX

U.S.A. and Canada only.  
For customer orders, contact the Customer Service department at  
800/392-3497 Fax: 800/955-6831  
For warranty repair or service information, contact the Service  
Repair department at 800/685-2606  
For technical assistance, contact Technical Support at 800/392-3497  
Please refer to the Engineering Data Sheet for warranty information.  
Specifications subject to change without notice.