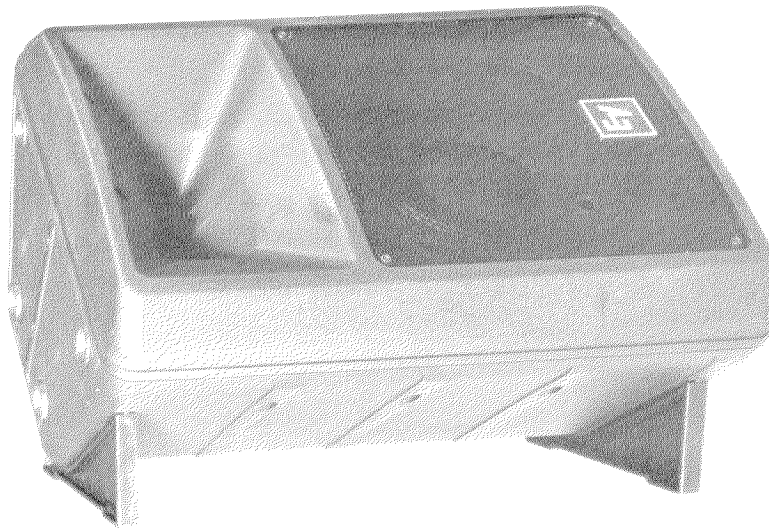


F200 Monitor Foot Kit



- Stage monitor foot kit for System 200™ speakers
- Tough, polypropylene for long-lasting use
- “O” ring holds foot in place
- Locking screws for permanent attachment
- Correct angle for stage use

SPECIFICATIONS

Material:

Polypropylene

Finish:

Black

Net Weight:

0.36 kg (0.8 lb)

Shipping Weight:

0.45 kg (1.0 lb)

DESCRIPTION

The F200 Monitor Foot kit contains two plastic feet, two “O” rings and two screws (see Chart 1). Locate the “O” rings in the groove on the plastic feet (see Figure 1). These “O” rings lock the feet in position and allow the feet to be removed without wear. They must be present.

Chart 1

Item	Description	Quantity	Part Number
A	Monitor Foot	2	71944
B	“O” Ring (std # 112 1/2 ID x 11/16 OD)	2	28012
C	Screw	2	63284

The F200 is used with any System 200™ speaker enclosure. Insert the feet firmly into the holes in the rear cabinet (see Figure 1). Remove the F200 monitor feet by pulling in the opposite direction.

You may permanently attach the feet by using the screws provided. The screws pass through the cabinet and into the foot (see Figure 1). The locking screws should not be removed. Enclosure damage may result.

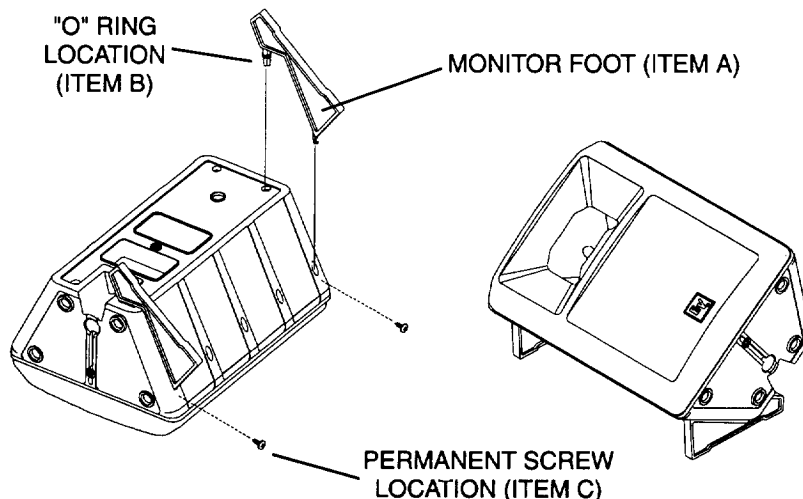
CAUTION:

The F200 monitor feet protrude from the enclosure. Care should be taken when moving the enclosure, since damage to the feet or enclosure might occur if the system is dropped or slid across a rough surface. It is recommended that the feet be removed for transport.

UNIFORM LIMITED WARRANTY

Electro-Voice products are guaranteed against malfunction due to defects in materials or workmanship for a specified period, as noted in the individual product-line statement(s) below, or in the individual product data sheet or owner's manual, beginning with the date of original purchase. If such malfunction occurs during the specified period, the product will be repaired or replaced (at our option) without charge. The product will be returned to the customer prepaid. **Exclusions and Limitations:** The Limited Warranty does not apply to: (a) exterior finish or appearance; (b) certain specific items described in the individual product-line statement(s) below, or in the individual product data sheet or owner's manual; (c) malfunction resulting from use or operation of the product other than as specified in the product data sheet or owner's manual; (d) malfunction resulting from misuse or abuse of the product; or (e) malfunction occurring at any time after repairs have been made to the product by anyone

FIGURE 1 — Installing the F200 Monitor Foot on System 200™ Speaker



other than Electro-Voice or any of its authorized service representatives. **Obtaining Warranty Service:** To obtain warranty service, a customer must deliver the product, prepaid, to Electro-Voice or any of its authorized service representatives together with proof of purchase of the product in the form of a bill of sale or receipted invoice. A list of authorized service representatives is available from Electro-Voice at 600 Cecil Street, Buchanan, MI 49107 (616/695-6831 or 800/234-6831). **Incidental and Consequential Damages Excluded:** Product

repair or replacement and return to the customer are the only remedies provided to the customer. Electro-Voice shall not be liable for any incidental or consequential damages including, without limitation, injury to persons or property or loss of use. Some states do not allow the exclusion or limitation of incidental or consequential damages so the above limitation or exclusion may not apply to you. **Other Rights:** This warranty gives you specific legal rights, and you may also have other rights which vary from state to state.

Electro-Voice Accessories are guaranteed against malfunction due to defects in materials or workmanship for a period of one (1) year from the date of original purchase. Additional details are included in the Uniform Limited Warranty statement.

Service and repair address for this product: Electro-Voice, Inc., 600 Cecil Street, Buchanan, Michigan 49107 (616/695-6831 or 800/234-6831).

Specifications subject to change without notice.



ELECTRO-VOICE a MARK IV company **600 Cecil Street, Buchanan, Michigan 49107**

MANUFACTURING PLANTS AT ■ BUCHANAN, MI ■ NEWPORT, TN ■ SEVIERVILLE, TN ■ OKLAHOMA CITY, OK ■ GANANOQUE, ONT.
© Electro-Voice, Inc. 1995 ■ Litho in U.S.A. Part Number 532538 — 9506