

Key Features:

- 46 Hz – 20 kHz Response
- 250W Power Handling
- 90 dB High Sensitivity
- Full-Bandwidth overload protection
- Strong-Arm-Mount™ for easy, flexible aiming
- Lightweight, unobtrusive plastic enclosure
- Easy access input terminals



General Description:

The SL6.2M provides high efficiency, high power handling, and extended frequency response in a very compact, plastic enclosure. It's proven performance and reliability position it as the correct choice for small to medium theater surround applications.

The SL6.2M features a high-energy 6" low frequency transducer, a pure titanium 1" high frequency neodymium transducer mounted on a 100° x 100° waveguide, and a crossover network with full bandwidth protection. These components provide wide dynamic range, smooth coverage, and exceptional reliability.

One person installation is simple using the included EV Strong-Arm-Mount™. It provides ease of location and aiming not possible with other brackets.

The SL6.2M's performance, reliability, and shape make it ideal for digital age theaters.

Technical Specifications:

Frequency Response ¹ (-10 dB)	48 Hz - 20 kHz
Power Handling ²	250 watts
Sensitivity ³	90 dB, 1W/1m
Impedance	8 ohms
Max Calculated SPL	116 dB
Horizontal Coverage ⁴	100°
Vertical Coverage ⁴	100°
Crossover Frequency	1.8 kHz
LF Transducer	6" (100 mm)
HF Transducer	1" (25 mm)
Protection	Full System
Suspension	Multi-Axis
Swing x Rotation	100° x 90°
Terminals	Spring, accepts 12 GA
Enclosure Material	ABS (paintable)
Dim (H x W x D)	16.5" x 9" x 11.75" (419 mm x 228 mm x 298 mm)
Net Weight (each)	9.9 lbs (4.5 kg)
Shipping Weight	23 lbs (10.4 kg)
Included Accessories	SAM™, hex key
¹ Half Space (wall mounting) ² Long Term Program Rating: 3 dB greater than continuous pink noise rating ³ Avg: Half Space (wall mounting) ⁴ When mounted with long axis in vertical plan	

EVID SL6.2M



Packing List

Listed and illustrated below are the parts included in each boxed pair of EVID™ speakers.

Figure	Quantity	Part
A	2	Speaker system
B	2	SAM™ assembly
C	2	Large logo cap
C	2	Small logo cap
D	1	Data sheet/Instructions
E	1	Warranty card
F	1	SAM™ mounting tool

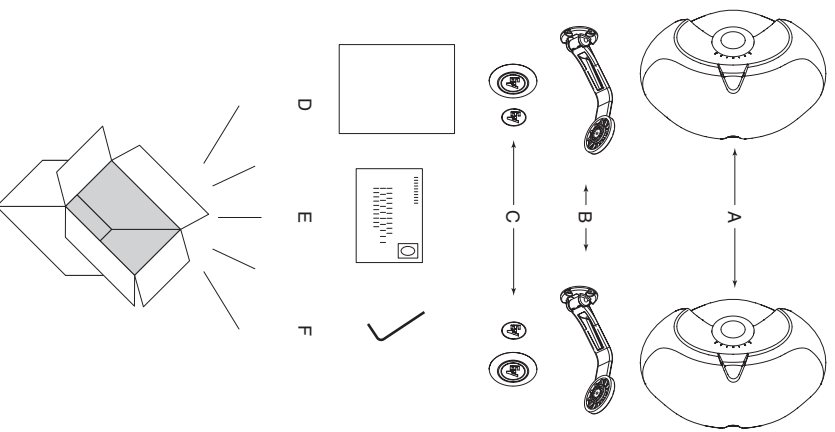


Figure 1: EVID™ components

Product Feature Identification

Illustrated below are the major components of the EVID™ Series full-range speakers.

- A. Shielded woofer
- B. Coherent Coverage Waveguide horn
- C. Low-frequency port
- D. Treated woofer cone
- E. Durable zinc-plated steel grille (not shown)
- F. Cast aluminum Strong-Arm-Mount™ (SAM™)
- G. Over 100 degrees of swing; 90 degrees of rotation
- H. Simple keyed socket head adjustments
- I. Titanium dome tweeter with neodymium magnet structure

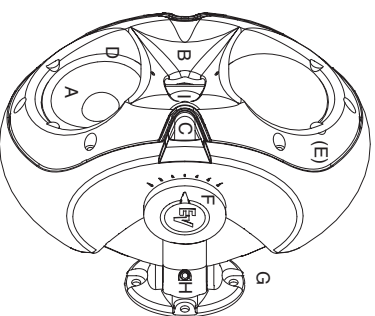


Figure 2: EVID™ features (front)

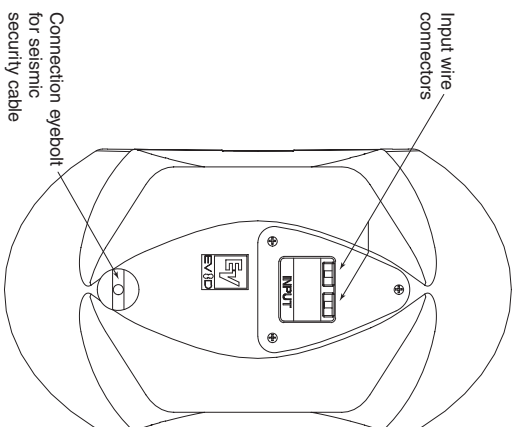


Figure 3: EVID™ features (back)

Installation and Wiring

Step 1: Mount the SAM™ Bracket

The SAM™ bracket can be mounted on either side of the speaker, enabling optimal configuration for any installation. First, determine whether the bracket should be mounted on the left or right side of the speaker (do not bolt the speaker to the bracket). It is best to mount the bracket on the side away from the direction in which the speaker will be aimed. This ensures that the full sweep angle is available for aiming on that side and provides easier access to the sweep tightening bolt on the wall bracket (see step 2). **For safety, make sure the mounting surface can support more than the speaker's weight!** Use only industry-accepted fasteners and mounting methods when mounting the bracket. Consult an expert if you are not sure.

For standard vertical installation mount the SAM™ bracket as shown in Figure 4. For horizontal mounting configurations, mounting the bracket on the bottom side (as in Figure 5) is easiest and safest, and allows the speaker to be mounted closer to the ceiling.

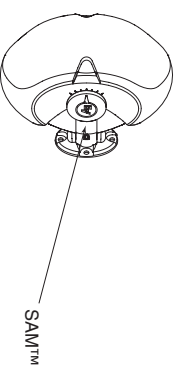


Figure 4: SAM™ mounted on side

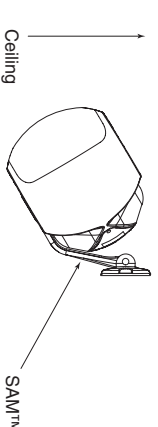


Figure 5: SAM™ mounted on bottom

Step 2: Mount the Speaker to the SAM™ Bracket

Attach the speaker to the SAM™ bracket with the socket head bolt, as shown in Figure 6.

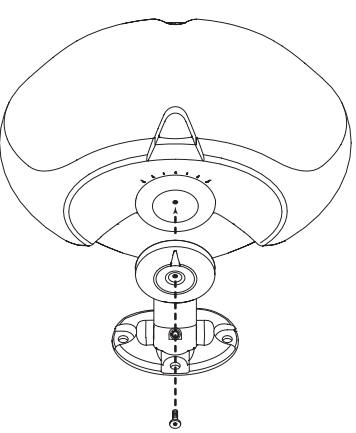


Figure 6: Attach SAM™

Secure the speaker with the provided security tool by tightening the two socket head bolts as shown. After selecting the proper horizontal angle, secure the swing axis as shown by tightening bolt A. Next, select the proper vertical angle with the aid of the angle markers as shown in Figure 7. Then secure the rotation axis by tightening bolt B.

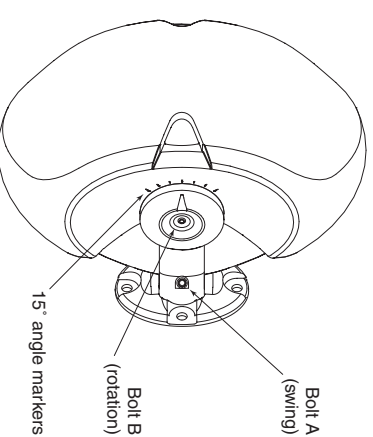


Figure 7: Tighten socket-head bolts



Attach both logo caps as shown in Figure 8 after tightening and securing the speaker.

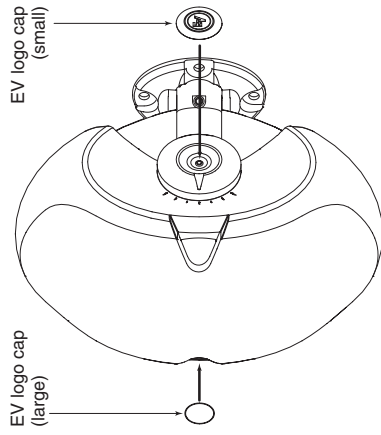


Figure 8: Attach logo caps

Step 3: Wire the Speaker

Connect the wires to the speaker at the back terminal plate observing the polarity of the connections. The push-terminals accept banana connector plugs.

Step 4: Secure the Seismic Tab Connection Point

The rear of the enclosure includes an eye-bolt for connection to a seismic restraint. Connect it to a properly rated hardware fitting that is securely installed independently of the SAM™ bracket. Even if your local construction code does not require the installation of secondary support, its use is highly recommended for further security.

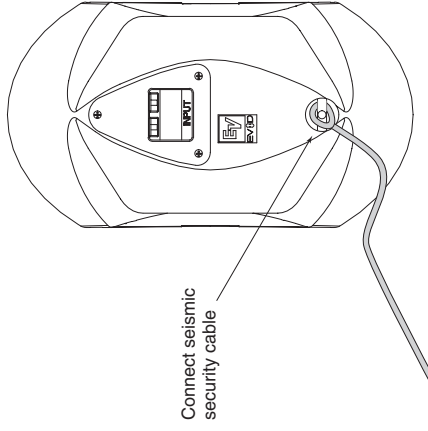


Figure 9: Secure seismic security cable

Step 5: Test System Operation

After all connections are made, test the complete system operation. The Troubleshooting Table on the next page will assist in locating many speaker-related problems.

Troubleshooting Table



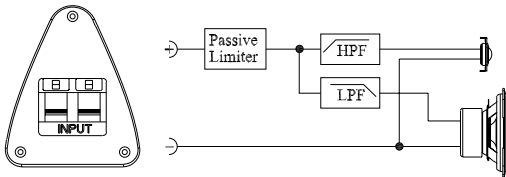
Problem	Possible Cause(s)	Action
1. No sound	Amplifier	Connect a known working test speaker to the amplifier outputs. If there is no sound, check that all the electronics are on, the signal routing is correct, the source is active, the volume is turned up, and so on. Correct/repair/replace as necessary. If there is sound, the problem is in the wiring. Verify that you have connected the correct wire pairs to the amplifier. Play something at low level through the amplifier (for example, from a CD player or tuner). Connect the test speaker in parallel with the malfunctioning line. If the sound has gone or is very weak, the line has a short in it (possibly a severe scrape, pinch, or staple puncture). If the sound level is normal, the wire is open (possibly a cut wire or a missed connection). Using the test speaker, move down the line and test each connection/junction until you find the problem and correct it. Observe proper polarity.
2. Poor low-frequency response	Speakers wired out-of-polarity	When two speakers are connected out of polarity (out of phase), the low frequencies will cancel each other acoustically. Carefully observe the wire markings or tracers on your speaker wires. Verify that the amplifier (+) terminal is connected to the red speaker terminals and the amplifier (-) terminal is connected to all the black speaker terminals. Using a test speaker as described above, verify that all amplifier and speaker wires are connected to their proper terminals with the correct polarity. Reversing just one set of amplifier wires can cut out all bass output from the subwoofer.
3. Intermittent output such as crackling or distortion	Faulty connection Improperly wired subwoofer panel	Check all connections at amplifier and speakers to ensure they are clean and tight. If the problem persists, it may be in the amplifier or wiring. See no. 1 above.
4. Constant noise such as buzzing, hissing, humming	Defective amplifier or other electronic device Poor system grounding or ground loop	If the noise is present but no program material is playing, the likely cause is the signal chain in the electronics. Evaluate each component as necessary to isolate the problem. Check and correct the system grounding, as required.

If these suggestions do not solve your problem, contact your nearest Electro-Voice dealer or Electro-Voice distributor.

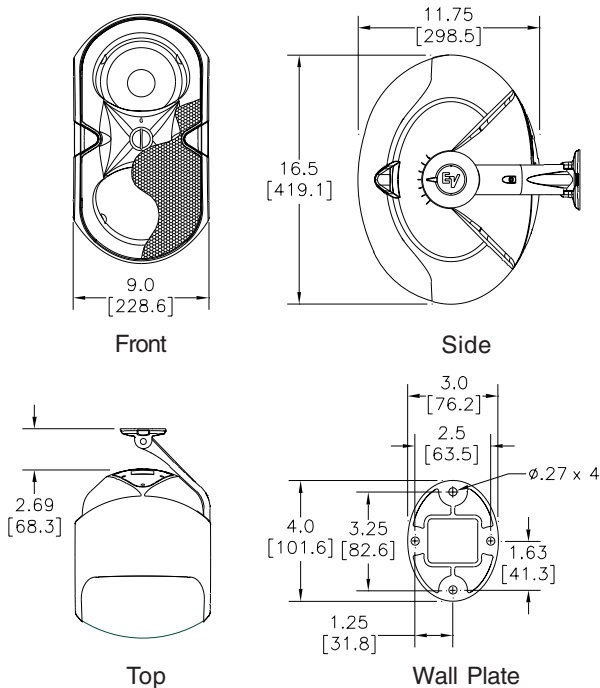
Architecture & Engineering Specs:

The loudspeaker shall be a two-way system consisting of one 6" (152mm) low-frequency transducer, a 1" (25mm) high-frequency transducer with a Coherent Coverage Waveguide, and a frequency-dividing network installed in a vented, line-array enclosure. The network shall include a passive limiter for both the low-frequency and high-frequency transducers. The loudspeaker system shall meet the following performance criteria: Power handling, 250-Watts long term program using IEC268-5 shaped pink noise; Frequency response, 46 Hz - 20 kHz (-10 dB from rated sensitivity); Pressure sensitivity, 90 dB at one watt, 200 Hz - 10 kHz at one meter; Impedance, 8 ohms nominal, 6 ohms minimum. The high-frequency transducer shall drive a waveguide to cover evenly 100° horizontally by 100° vertically. The enclosure shall be molded of acrylic butyl styrene. The enclosure shall be 16.5" (419mm) high, 9" (228mm) wide, 11.75" (298mm) deep. The finish shall be a paintable black. The grille shall be zinc plated, powder coated for corrosion resistance, and restrained with a safety leash. The loudspeaker shall be adjustable over a range of 100° horizontally and 90° vertically. The support bracket shall be low profile and integral with the enclosure.

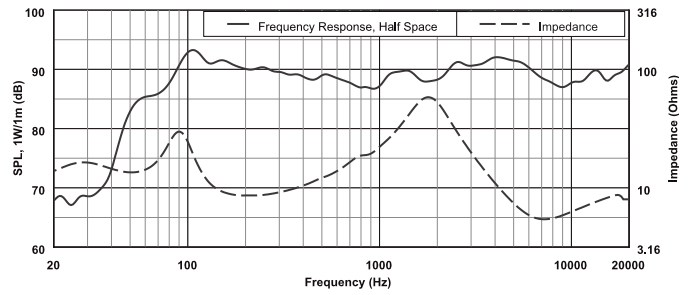
Block Diagram:



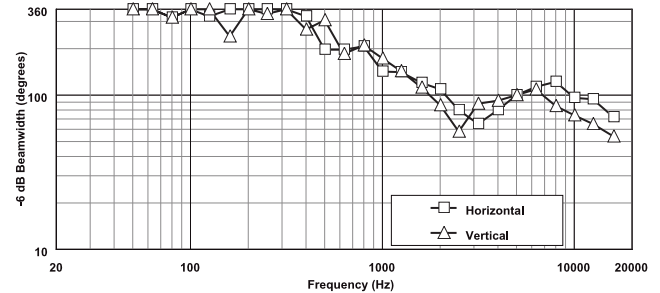
Dimension Drawings:



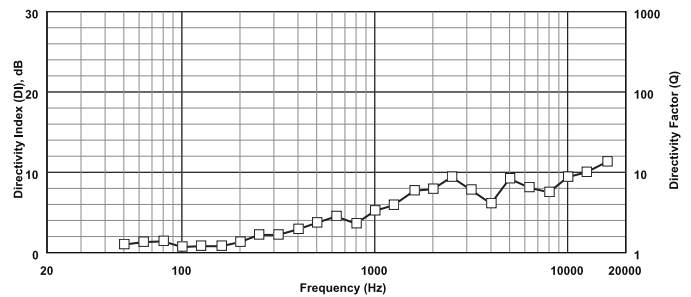
Frequency Response and Impedance:



Beamwidth:



Directivity:



12000 Portland Avenue South, Burnsville, MN 55337

Phone: 952/884-4051, Fax: 952/884-0043

www.electrovoice.com

© Telex Communications, Inc. 6/2002

Part Number 38110-153 Rev A

U.S.A. and Canada only. For customer orders, contact Customer Service at:

800/392-3497 Fax: 800/955-6831

Europe, Africa, and Middle East only. For customer orders, contact Customer Service at:

+ 49 9421-706 0 Fax: + 49 9421-706 265

Other International locations. For customer orders, contact Customer Service at:

+ 1 952 884-4051 Fax: + 1 952 736-4212

For warranty repair or service information, contact the Service Repair department at:

800/685-2606

For technical assistance, contact Technical Support at: **866/78AUDIO**

Specifications subject to change without notice.